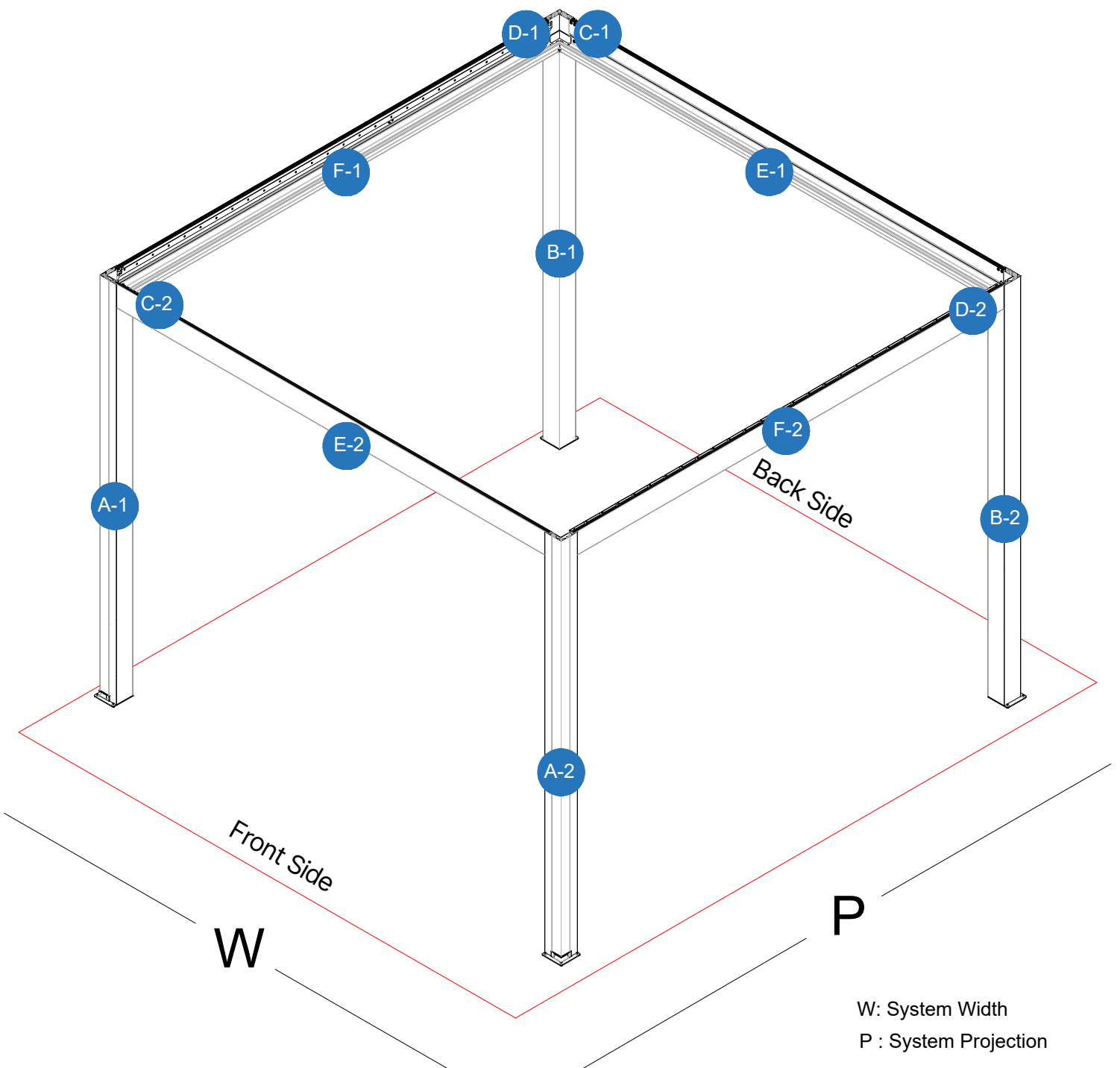
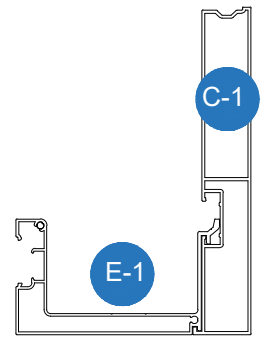
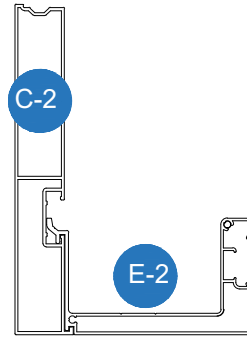
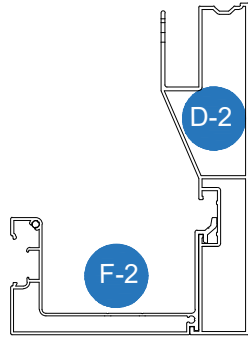
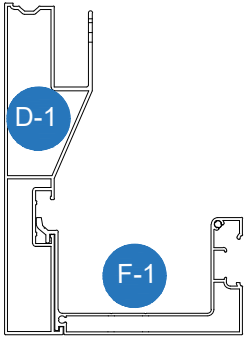


Pergola Piano



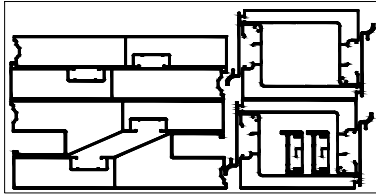


Contents

Box Contents for 10'x10' System.....	1
Box Contents for 10'x13' System.....	2
Box Contents for 10'x16' System.....	3
Necessary Tools for The Ecoclimatic System	4
Ecoclimatic Profiles For First Step	5
Ecoclimatic Accessories For First Step.....	6-7
Ecoclimatic First Step : Making Frame	8-19
Ecoclimatic Profiles For Second Step	22
Ecoclimatic Accessories For Second Step.....	23-27
Ecoclimatic Second Step : Preparing Blades	28
Ecoclimatic Second Step : Preparing Motor Blades	29
Ecoclimatic Second Step : Mounting Roof	30-40
Optional Locking Section.....	41

Box Contents for 10'x10' System

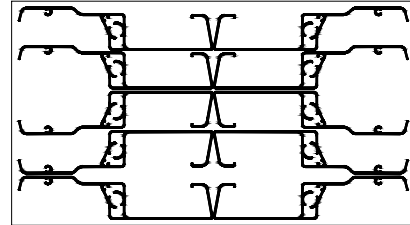
G1



M7034 (C1-C2) x2
M7033 (E1-E2-F1-F2) x4
M7035 (D1-D2) x2
M7031 x2 M7201 x2

1x

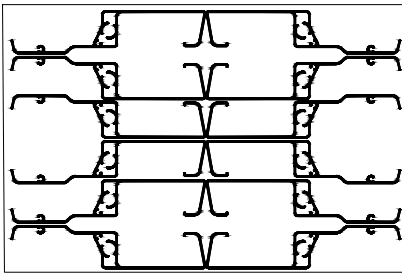
B1



M7253 x10

1x

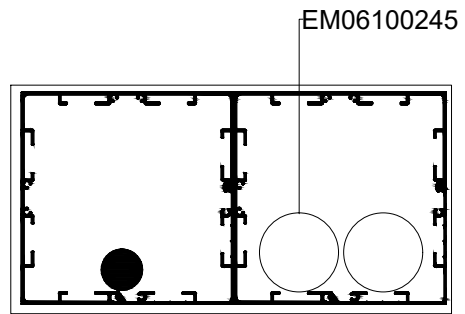
B2



M7253 x12

1x

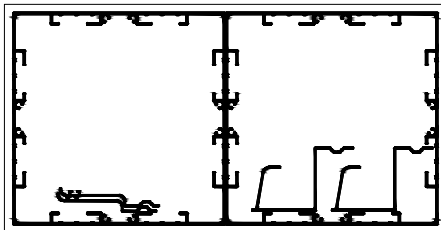
V1



M7037 (A1-A2) x2
M7028 (A1-A2) x2
Reducer x1
EM06100245 x2

1x

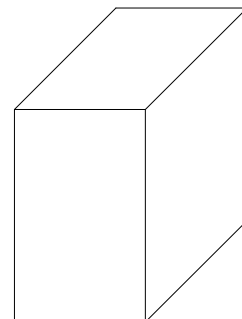
P2



M7137 (B1-B2) x2
M7029 x2
M7030 x2

1x

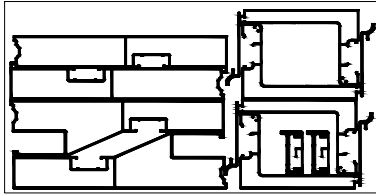
H1



1x

Box Contents for **10'x13'** System

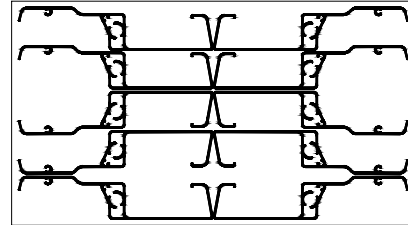
G2



M7034 (C1-C2) x2
M7033 (E1-E2-F1-F2) x4
M7035 (D1-D2) x2
M7031 x2 M7201 x2

1x

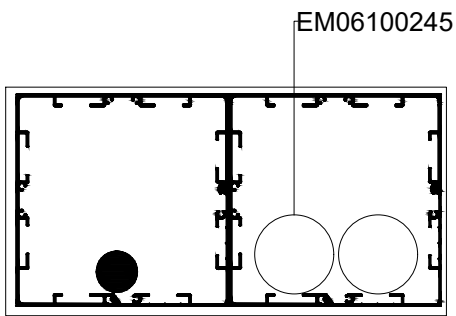
B1



M7253 x10

3x

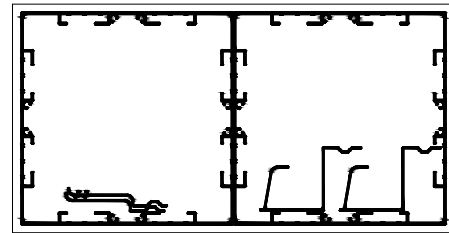
V1



M7037 (A1-A2) x2
M7028 (A1-A2) x2
Reducer x1
EM06100245 x2

1x

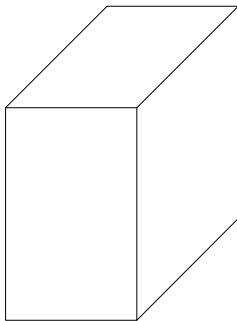
P2



M7137 (B1-B2) x2
M7029 x2
M7030 x2

1x

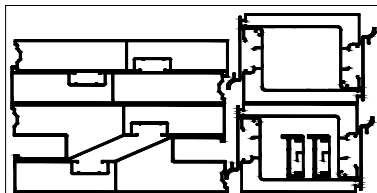
H2



1x

Box Contents for 10'x16' System

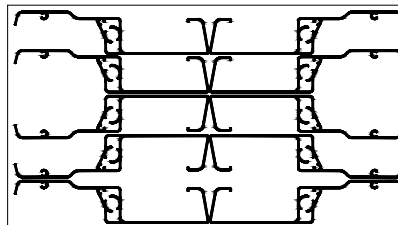
G3



M7034 (C1-C2) x2
M7033 (E1-E2-F1-F2) x4
M7035 (D1-D2) x2
M7031x2 M7201x2

1x

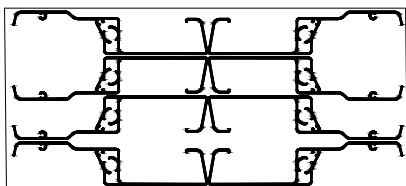
B1



M7253 x10

3x

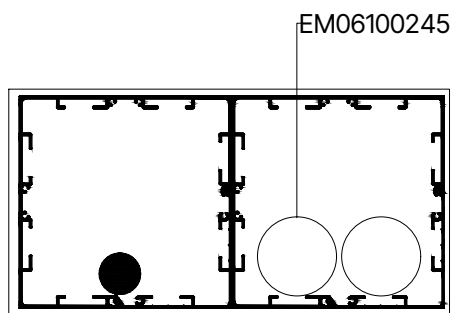
B3



M7253 x8

1x

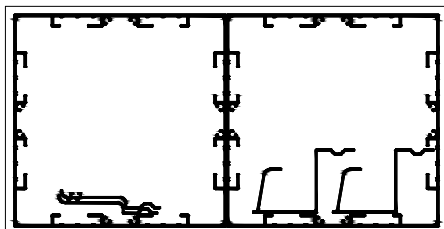
V1



M7037 (A1-A2) x2
M7028 (A1-A2) x2
Reducer x1
EM06100245 x2

1x

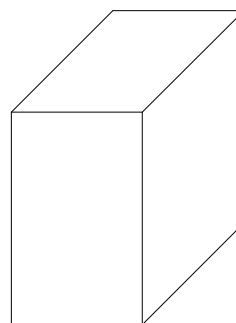
P2



M7137 (B1-B2) x2
M7029 x2
M7030 x2

1x

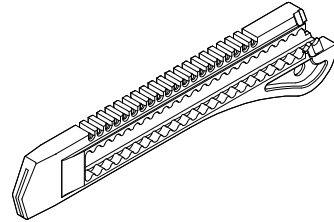
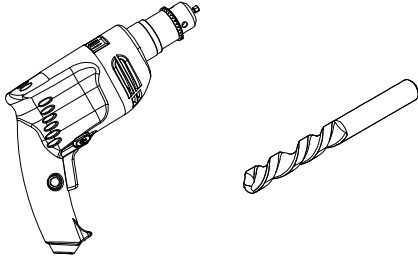
H3



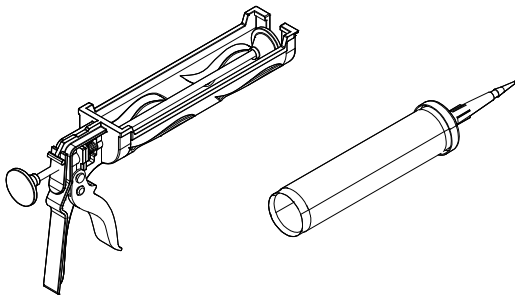
1x

Necessary Tools for The Ecoclimatic System

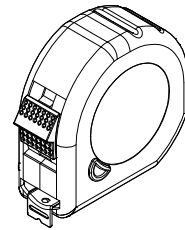
Cordless Drill & Drilling Bit (8 mm) (5/16 in) Carpet Knife



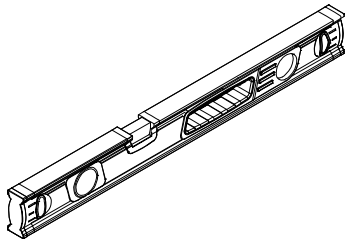
Silicon Gun & Silicon



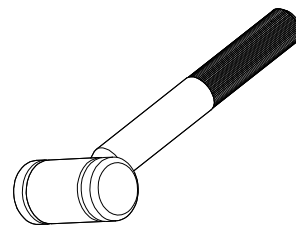
Tape Measure



Water Level

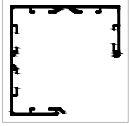


Knob

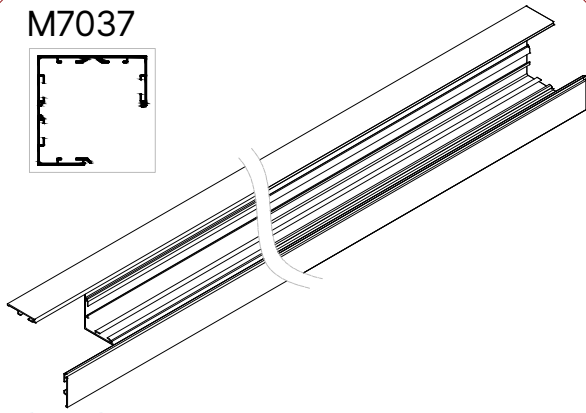


Ecoclimatic Profiles For First Step

M7037

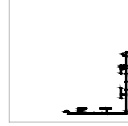


A-1 A-2

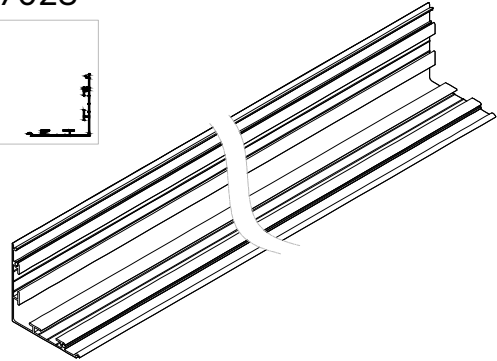


For 10'x10' systems : 2 pcs
For 10'x13' systems : 2 pcs
For 10'x16' systems : 2 pcs

M7028

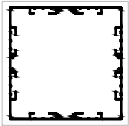


A-1 A-2

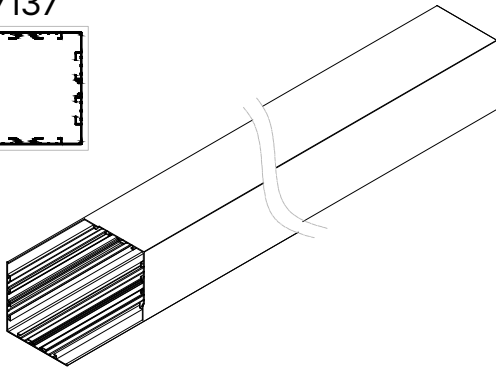


For 10'x10' systems : 2 pcs
For 10'x13' systems : 2 pcs
For 10'x16' systems : 2 pcs

M7137



B-1 B-2

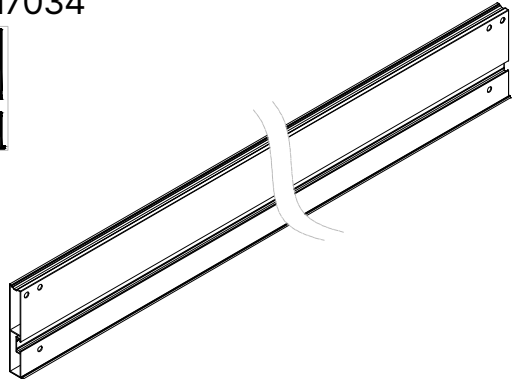


For 10'x10' systems : 2 pcs
For 10'x13' systems : 2 pcs
For 10'x16' systems : 2 pcs

M7034



C-1 C-2

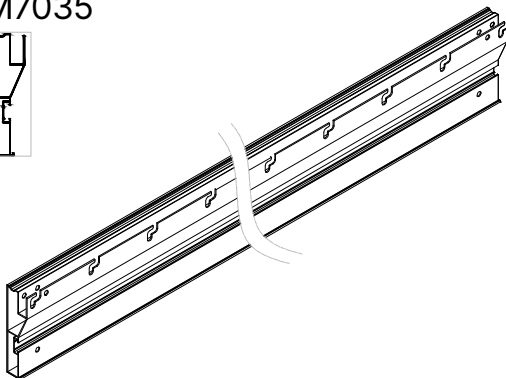


For 10'x10' systems : 2 pcs
For 10'x13' systems : 2 pcs
For 10'x16' systems : 2 pcs

M7035



D-1 D-2

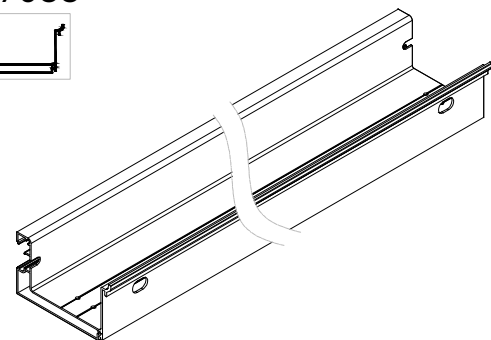


For 10'x10' systems : 2 pcs
For 10'x13' systems : 2 pcs
For 10'x16' systems : 2 pcs

M7033



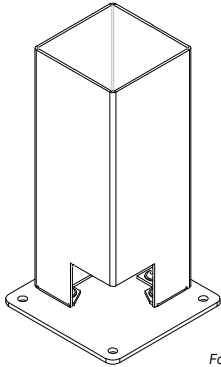
E-1 E-2 F-1 F-2



For 10'x10' systems : 4 pcs
For 10'x13' systems : 4 pcs
For 10'x16' systems : 4 pcs

Ecoclimatic Accessories For First Step

EM07100104

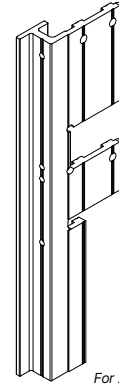


For 10'x10' systems : 4 pcs
For 10'x13' systems : 4 pcs
For 10'x16' systems : 4 pcs

EM07200027



This product has a direction

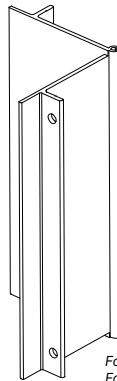


For 10'x10' systems : 8 pcs
For 10'x13' systems : 8 pcs
For 10'x16' systems : 8 pcs

EM07200028



This product has a direction

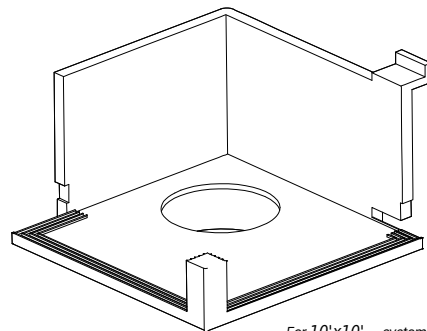


For 10'x10' systems : 4 pcs
For 10'x13' systems : 4 pcs
For 10'x16' systems : 4 pcs

EM06100186

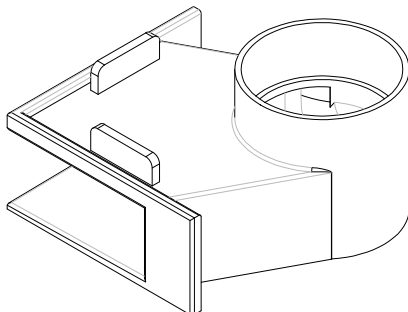


This product has a direction



For 10'x10' systems : 4 pcs
For 10'x13' systems : 4 pcs
For 10'x16' systems : 4 pcs

EM06100229 - (Black)
EM06100295 - (White)



For 10'x10' systems : 2 pcs
For 10'x13' systems : 2 pcs
For 10'x16' systems : 2 pcs

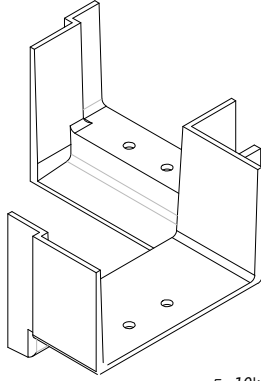
EM06100245



For 10'x10' systems : 2 pcs
For 10'x13' systems : 2 pcs
For 10'x16' systems : 2 pcs

Ecoclimatic Accessories For First Step

EM06100292

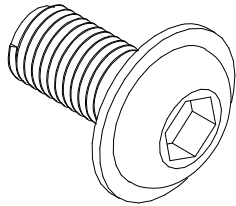


For 10'x10' systems : 4 pcs
For 10'x13' systems : 4 pcs
For 10'x16' systems : 4 pcs

Ecoclimatic Accessories For First Step

EM10200006

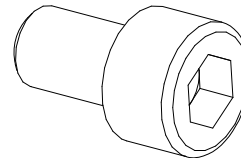
MBX12 Bolt



For 10'x10' systems : 24 pcs
 For 10'x13' systems : 24 pcs
 For 10'x16' systems : 24 pcs

EM10200025

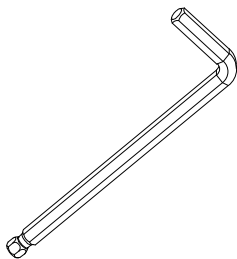
M6x12 IMBUS



For 10'x10' systems : 16 pcs
 For 10'x13' systems : 16 pcs
 For 10'x16' systems : 16 pcs

Allen Key -

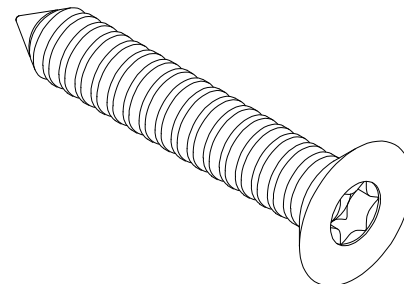
EM13000062 & EM13000063



For 10'x10' systems : 1 pcs
 For 10'x13' systems : 1 pcs
 For 10'x16' systems : 1 pcs

EM10100005

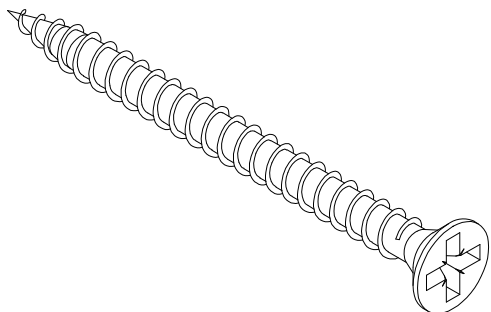
7,5x100 mm Buldex Screw



For 10'x10' systems : 12 pcs
 For 10'x13' systems : 12 pcs
 For 10'x16' systems : 12 pcs

EM10100030

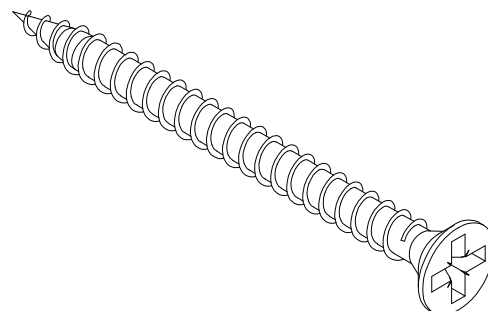
3,9x25mm Screw



For 10'x10' systems : 16 pcs
 For 10'x13' systems : 16 pcs
 For 10'x16' systems : 16 pcs

EM10100017

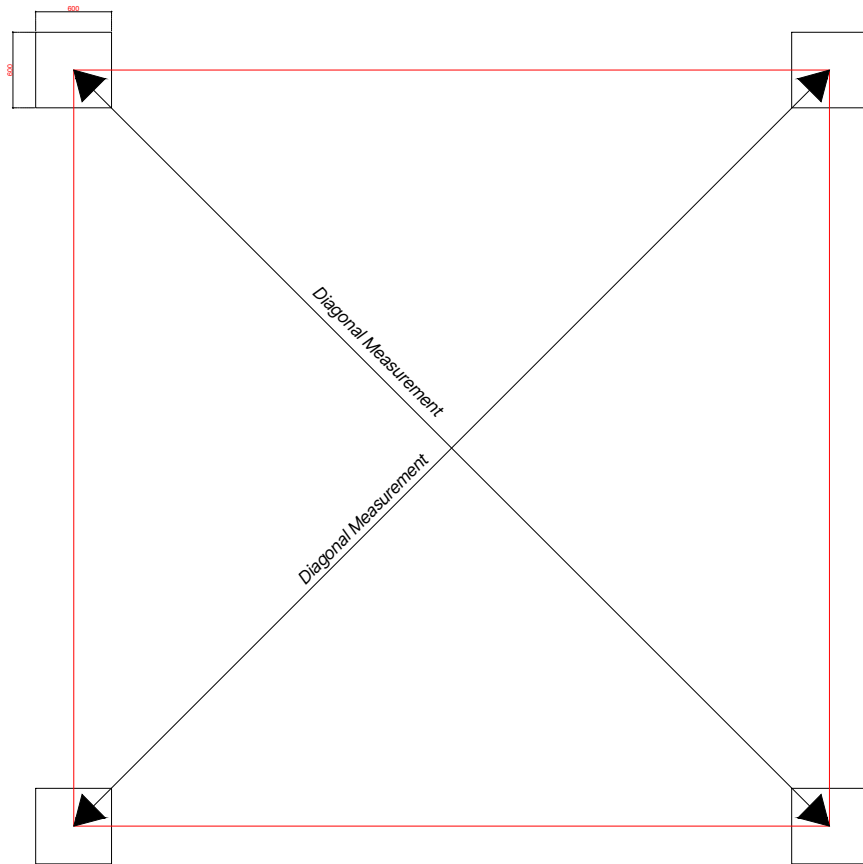
3,9x38mm Screw



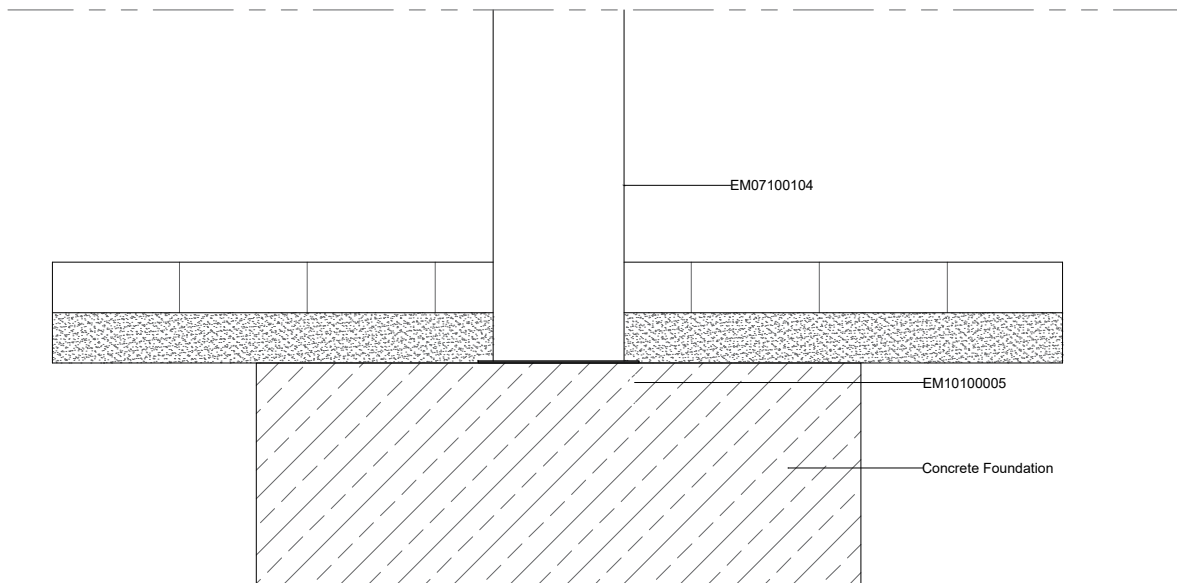
For 10'x10' systems : 16 pcs
 For 10'x13' systems : 16 pcs
 For 10'x16' systems : 16 pcs

*The ground where the system will be installed needs to be flat.

*The locations where the pillars of the system will be positioned need to have reinforced ground.



If your system is 10'x10', then the diagonal measurement should be 405.1 cm. (159-1/2 in)
If your system is 10'x13', then the diagonal measurement should be 484.9 cm. (191 in)
If your system is 10'x16', then the diagonal measurement should be 572.8 cm. (225-1/2 in)

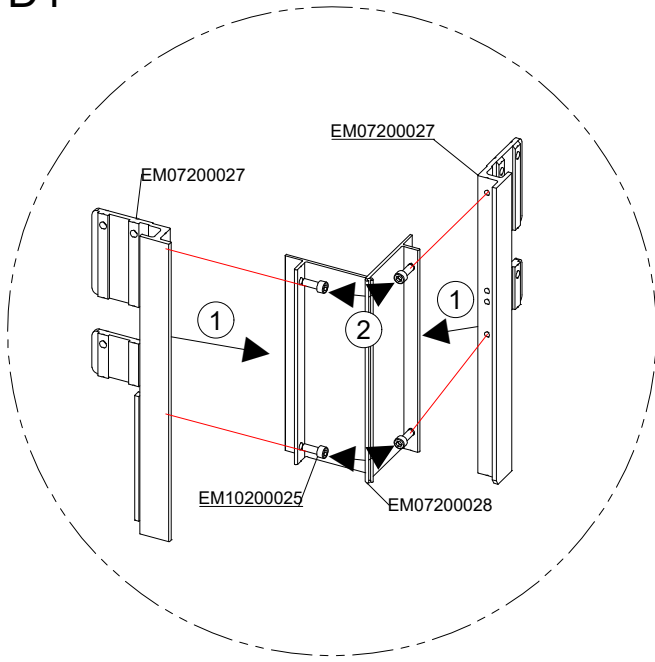


Section Detail

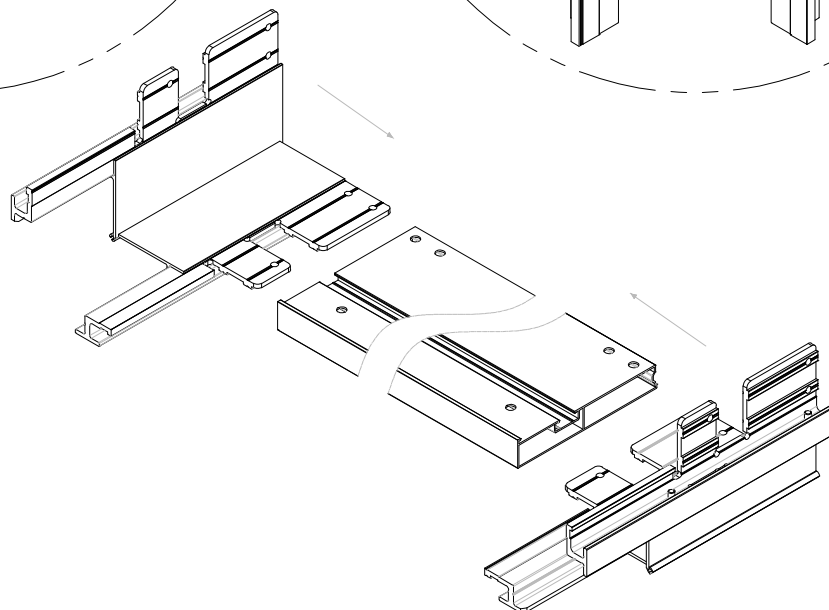
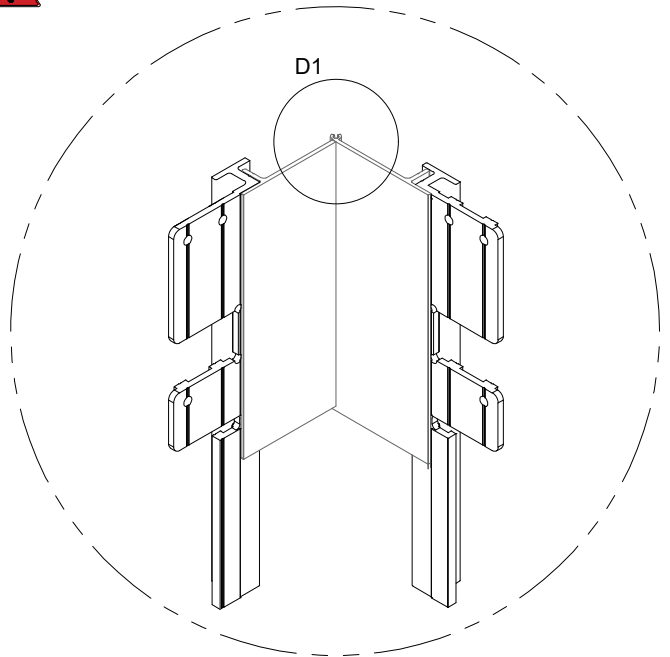
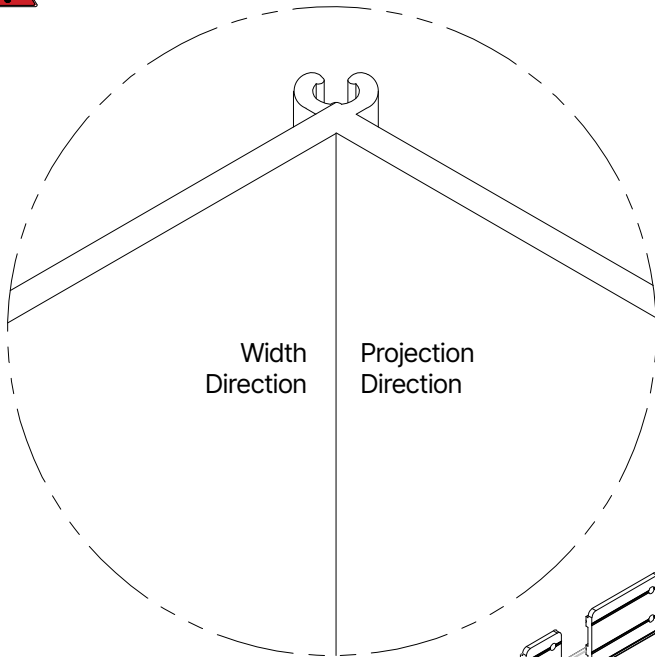
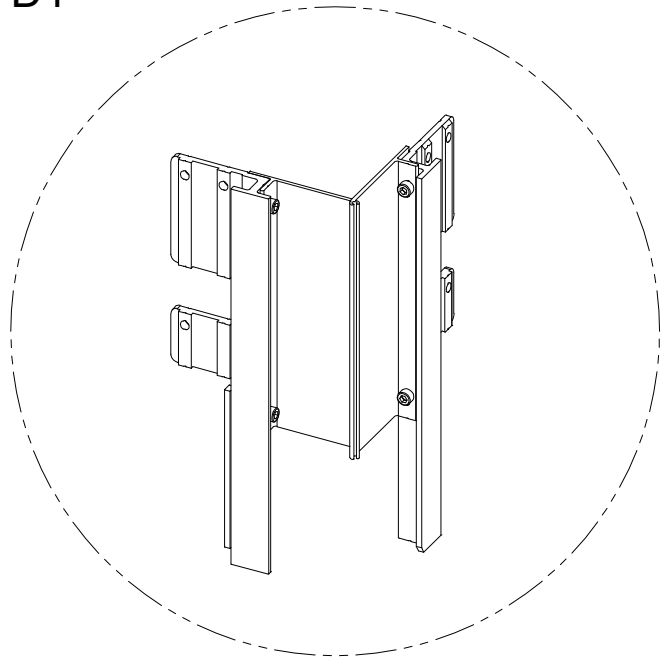
To ensure maximum durability of your pergola against environmental conditions, we recommend reinforcing the surface where the structure will be installed. In this regard, it is advisable to create reinforced point foundations measuring 60x60x80 cm and secure your pergola to these foundations using anchor bolts (EM10100005). Alternatively, you can also screw your pergola directly into patio surfaces such as stone or wooden decking (23-1/2x23-1/2x31-1/2 in)

Ecoclimatic First Step : Making Frame

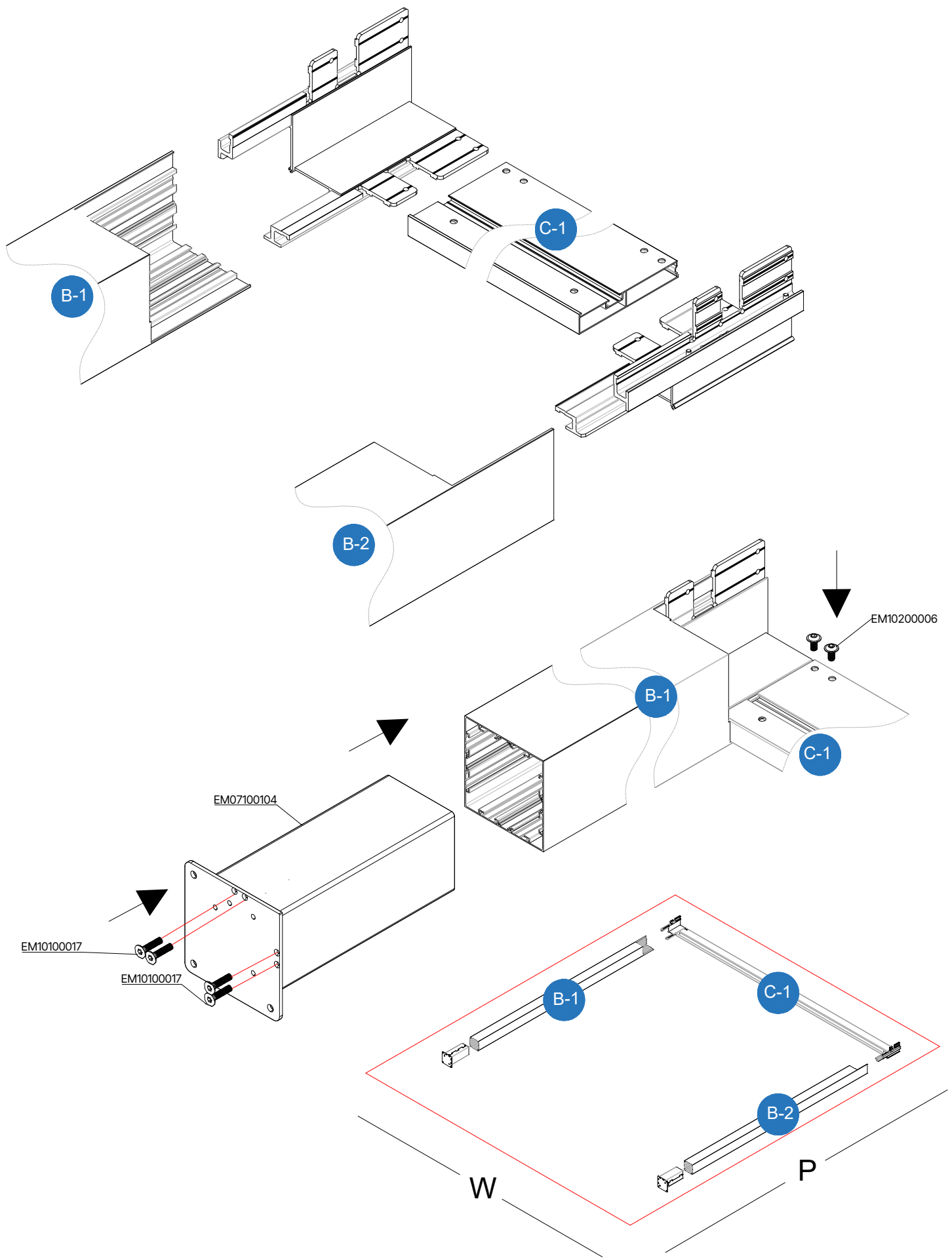
D1



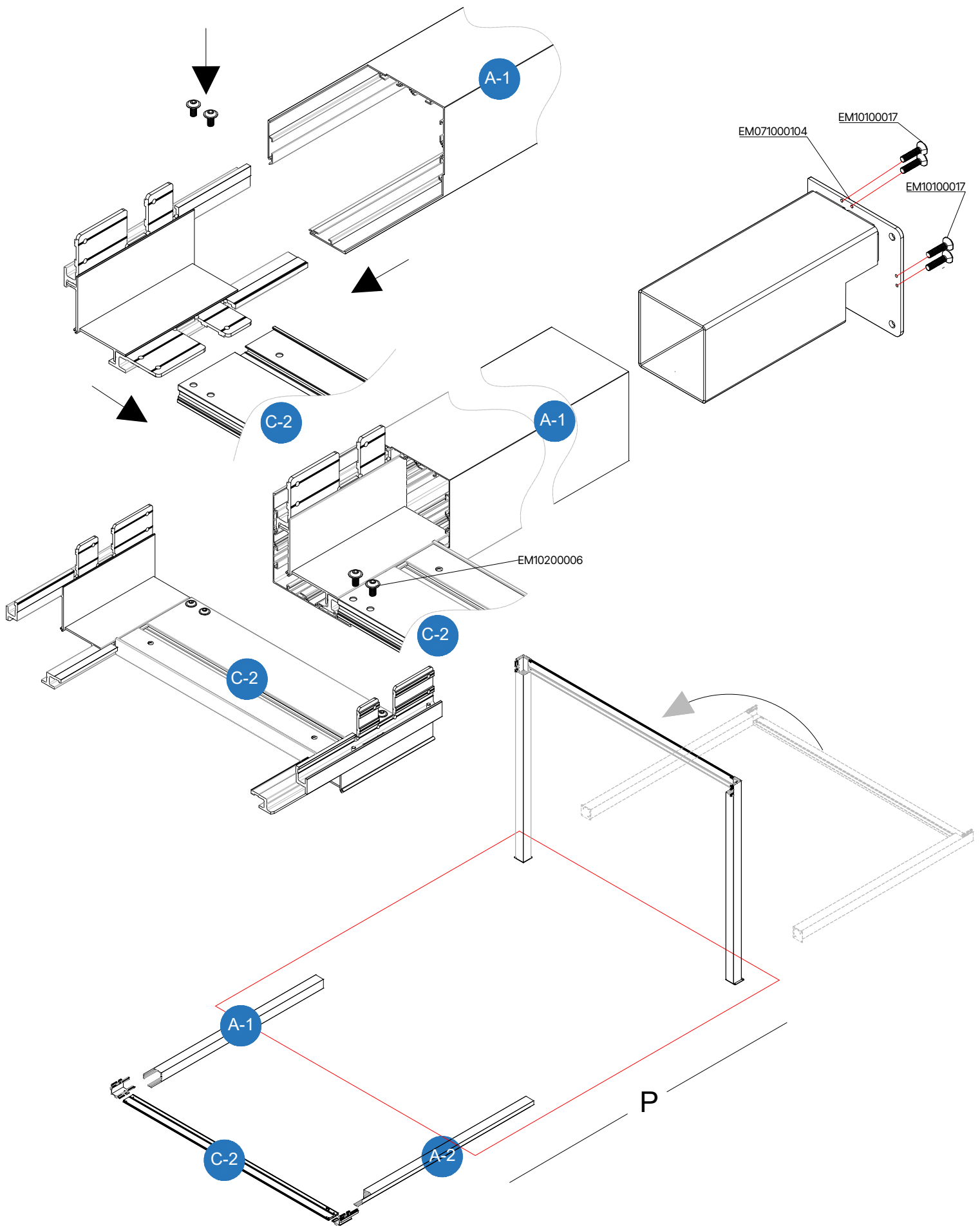
D1



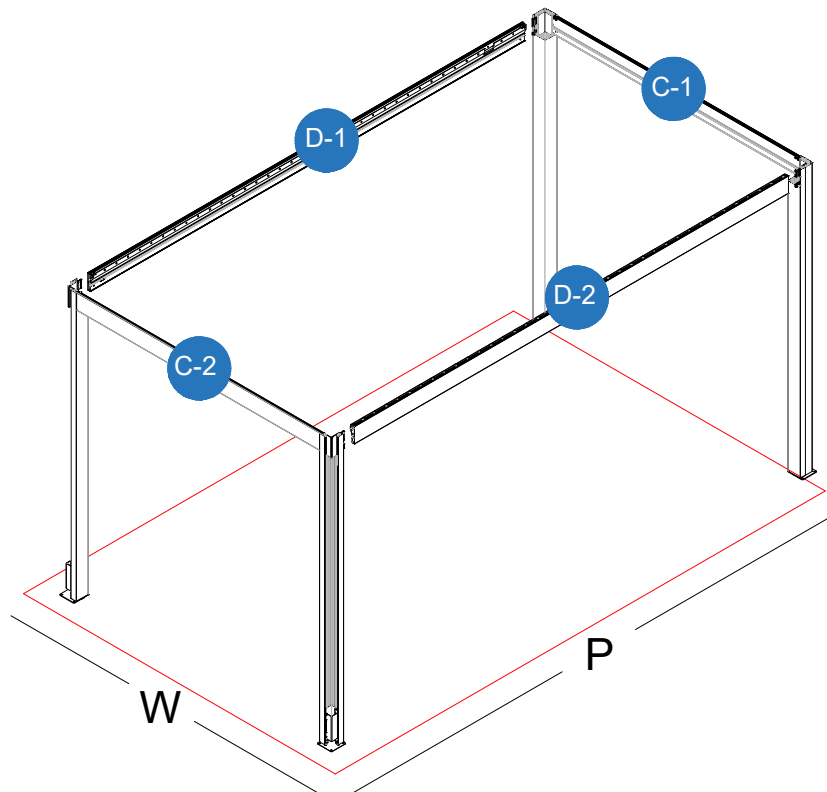
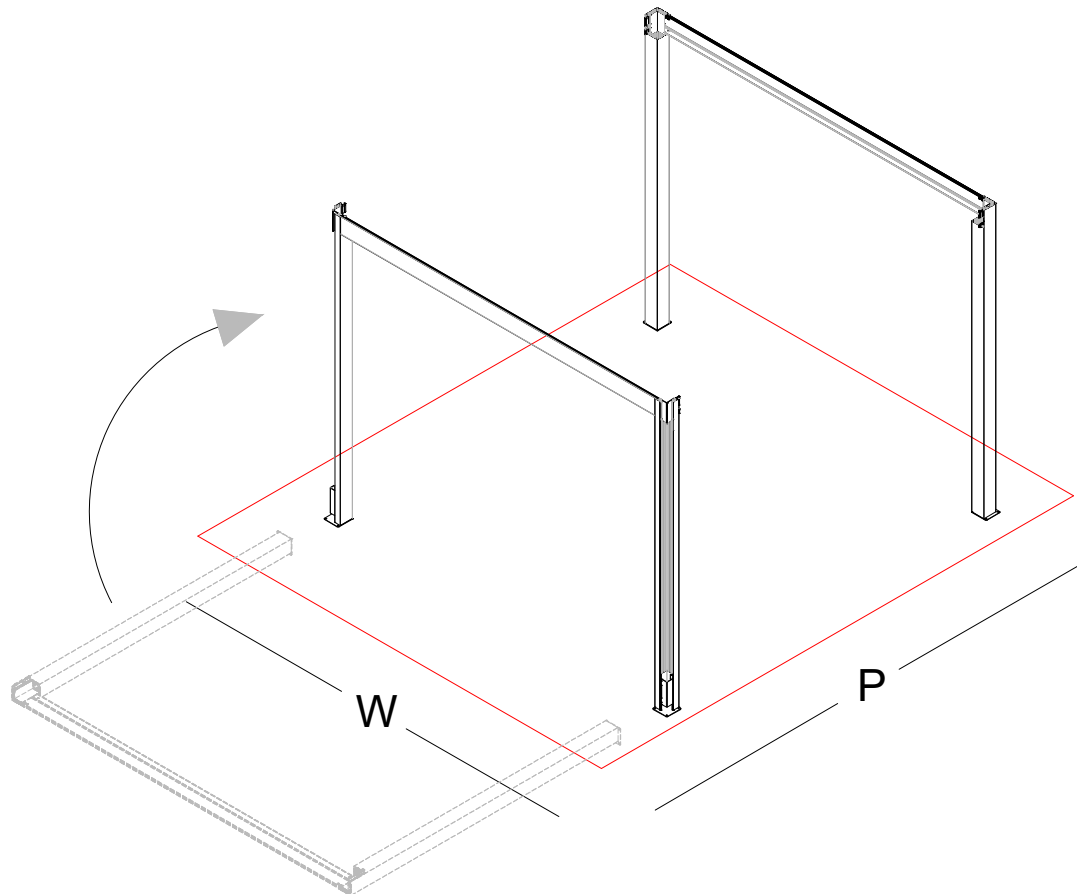
EM07200027 and EM07200028 are screwed together and 4 sets are prepared in this way. When the right and left corner connections are completed, they are passed to the C1 coded profile and fixed.



The C1 coded profile with corner connections fixed is inserted into the box pillars (M7137). It is screwed through the screw channels on the C1 profile as shown in the figure. The accessory code EM07100104 is mounted on the pillars.

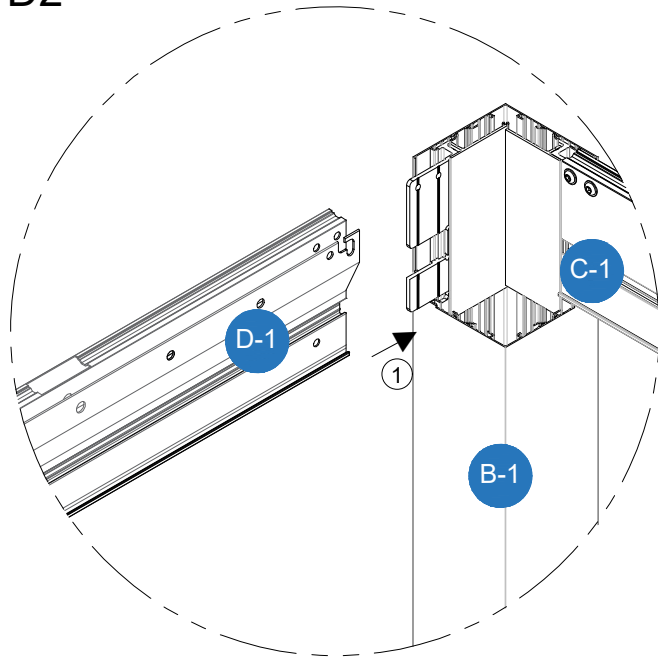


The C2 coded profile with corner connections fixed is inserted into the pillars (M7037). It is screwed through the screw channels on the C2 profile as shown in the figure. The accessory code EM07100104 is mounted on the pillars.

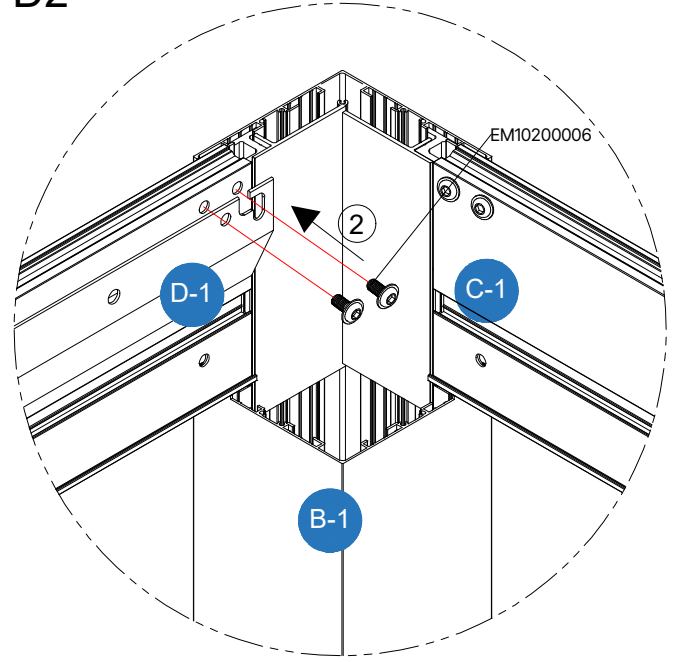


The C2 coded profile, which are shaped like a U on the ground, are lifted as shown in the figure.

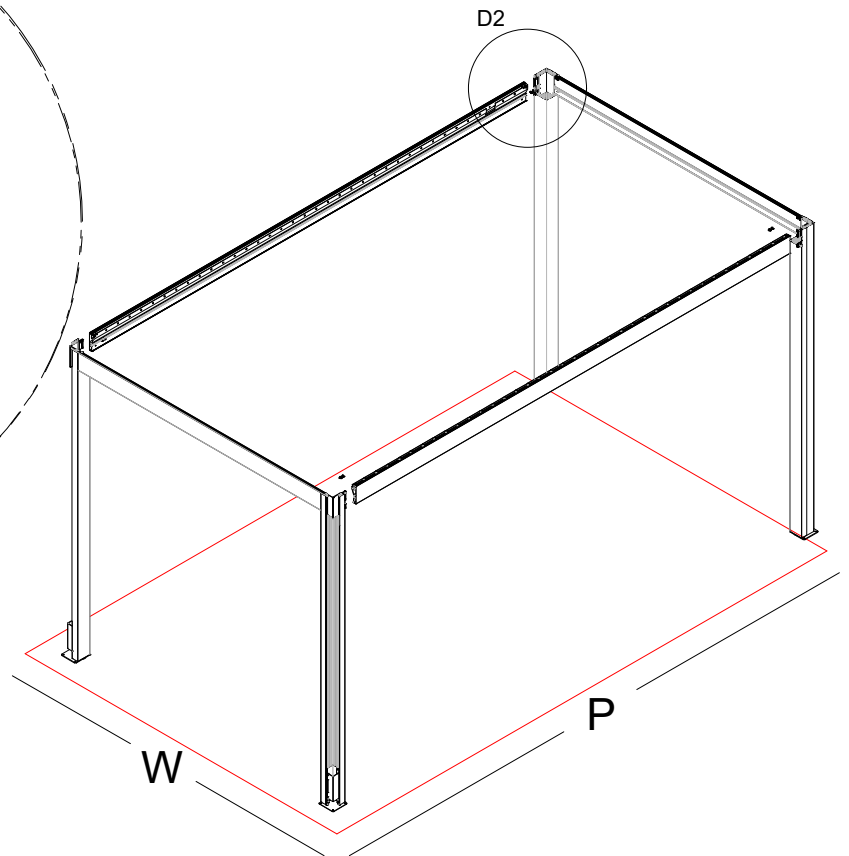
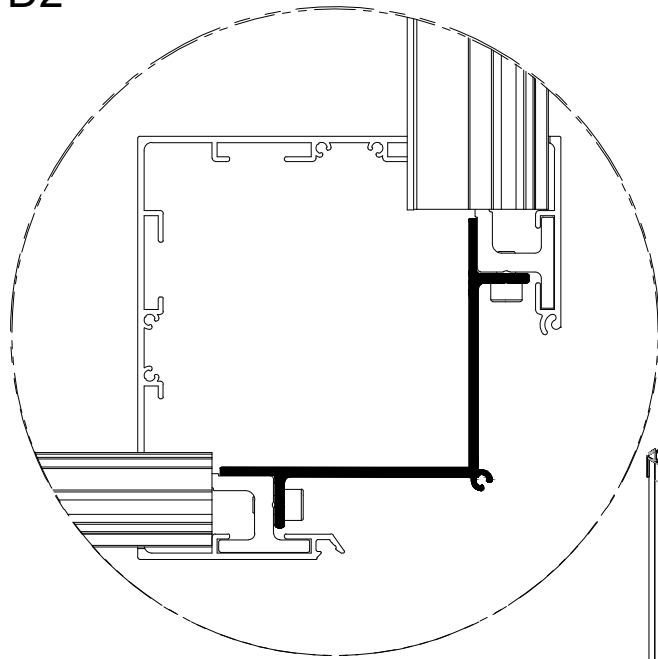
D2



D2

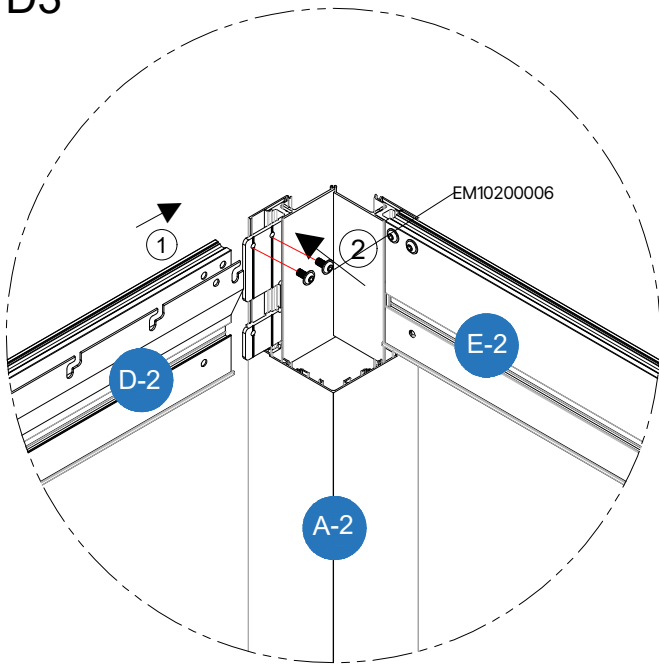


D2

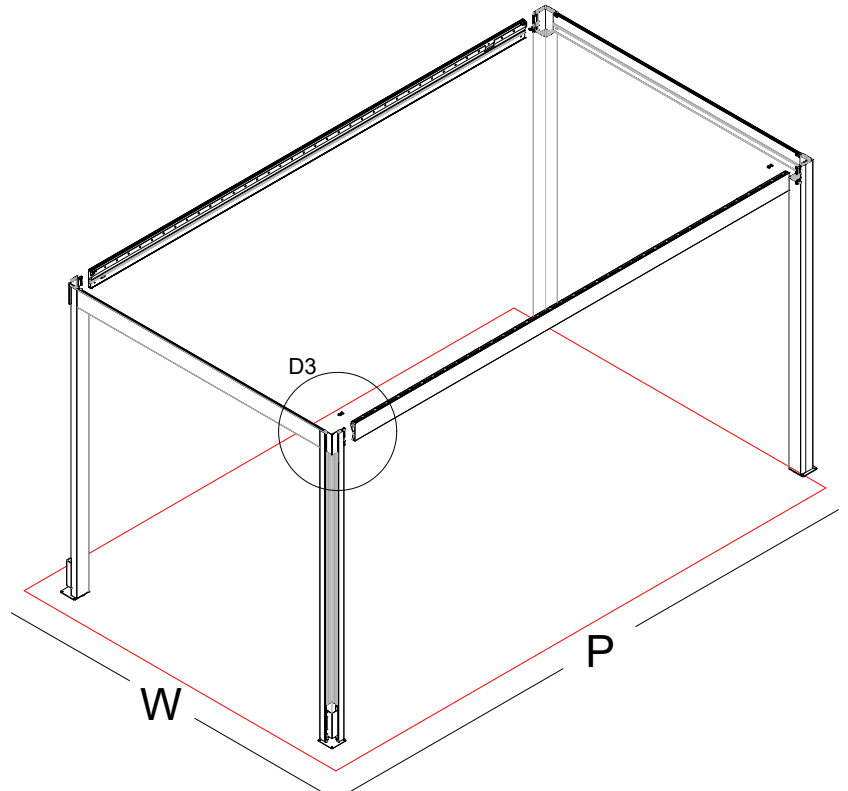
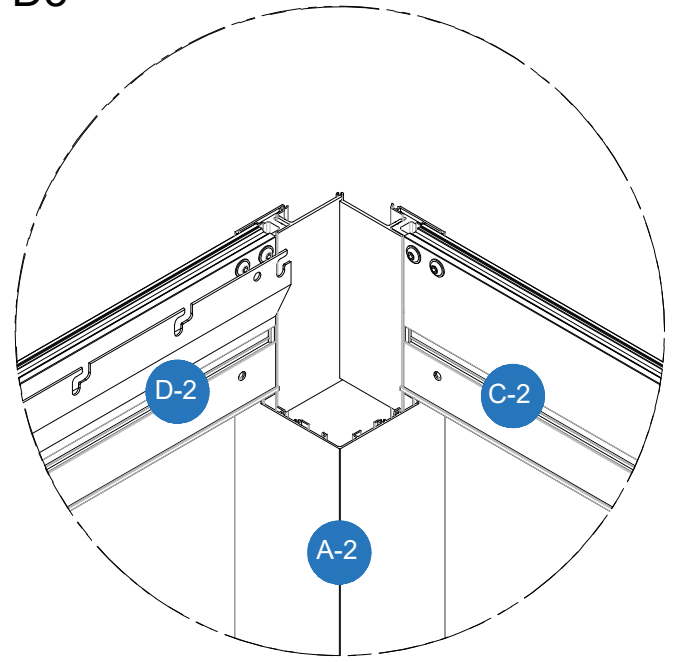


D1 coded profile is inserted to the corner connections as shown in the figure. It is fixed with corner connections by inserting screws with code EM10200006 from the screw channels on the right and left of the profile.

D3

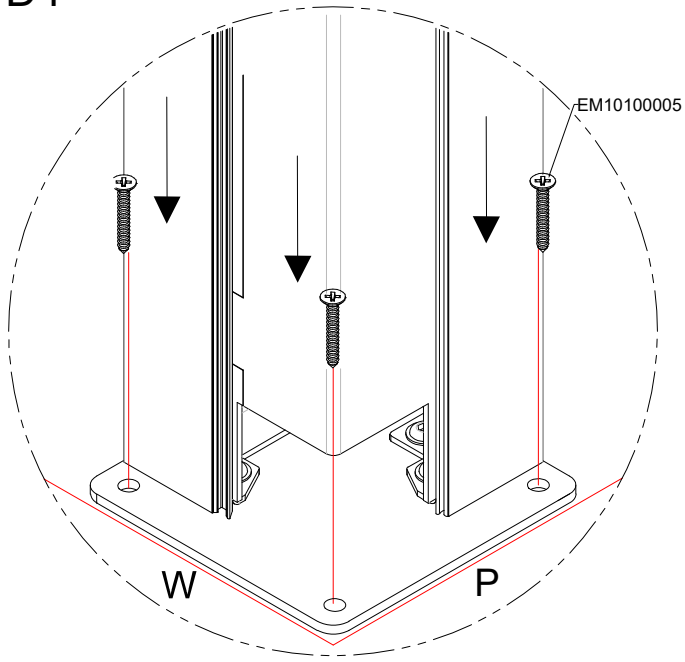


D3

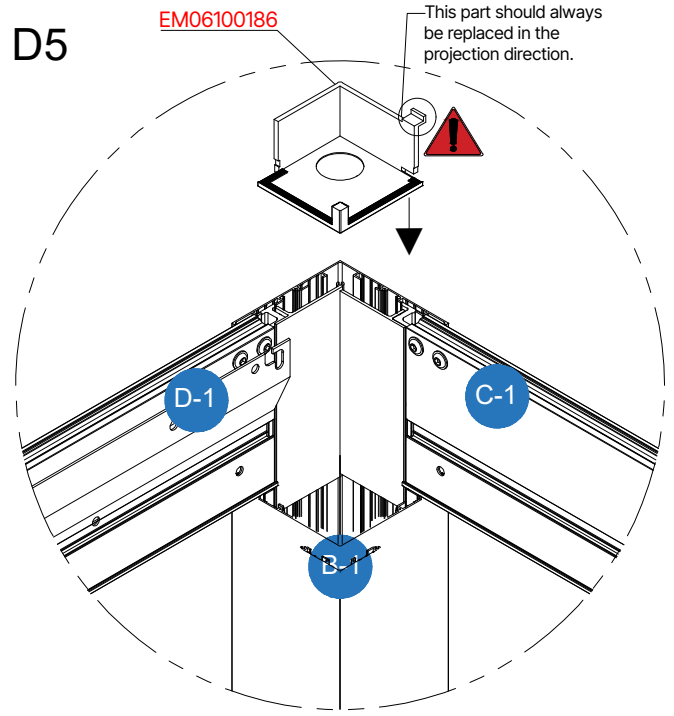


D2 coded profile is inserted to the corner connections as shown in the figure. The screws with code EM10200006 are inserted from the screw channels on the right and left of the profile and fixed with corner connections.

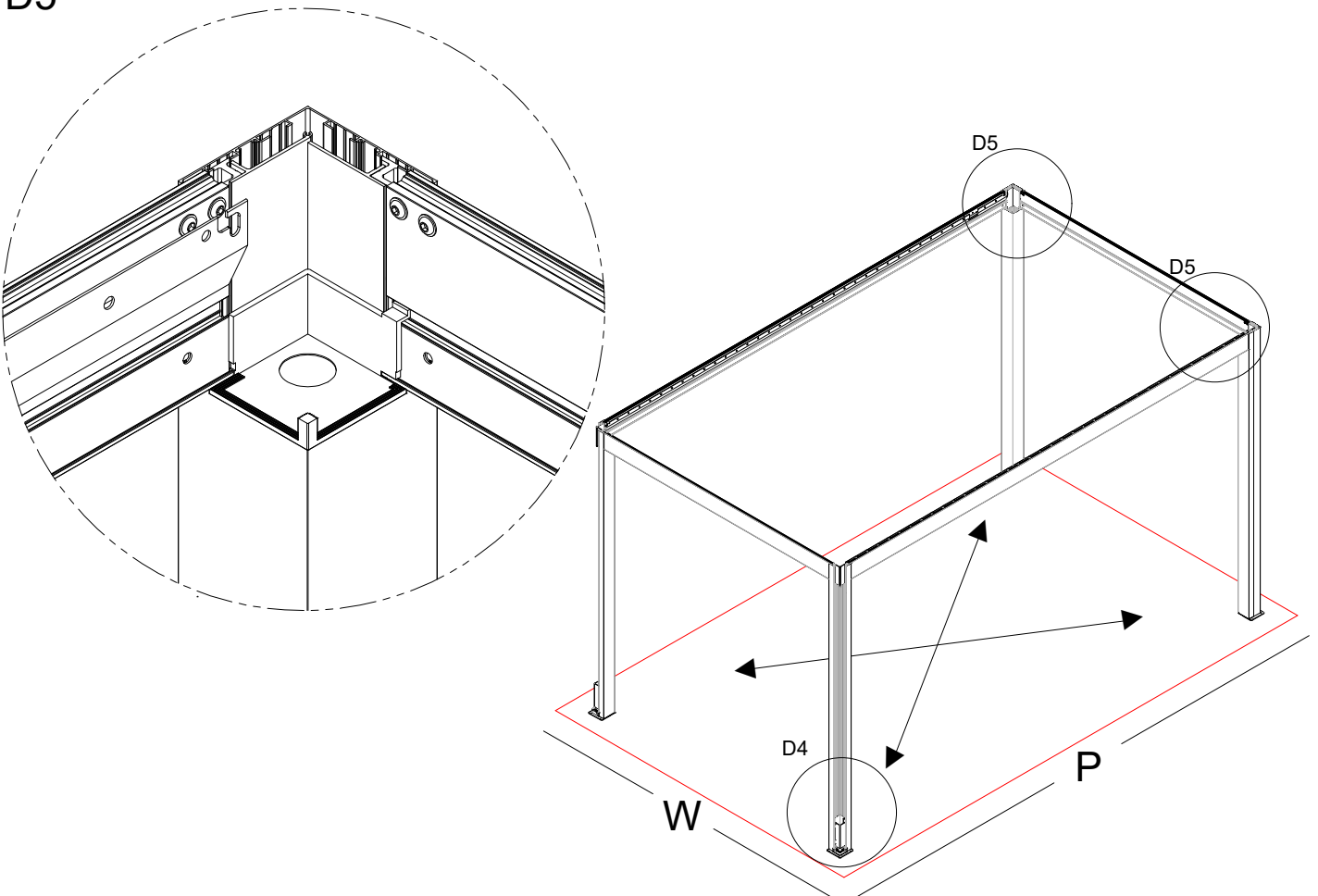
D4



D5



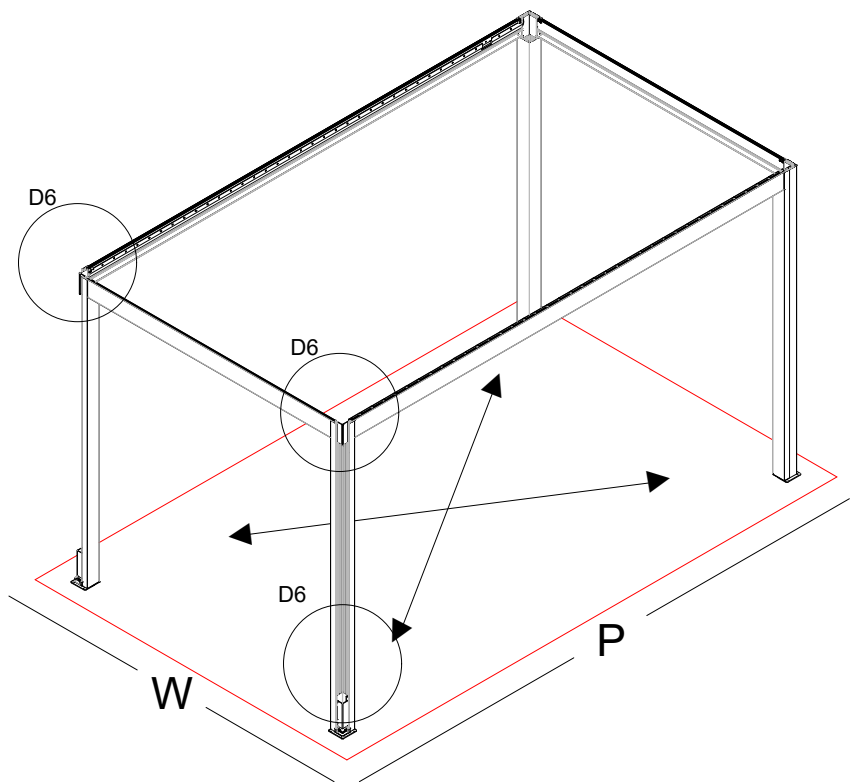
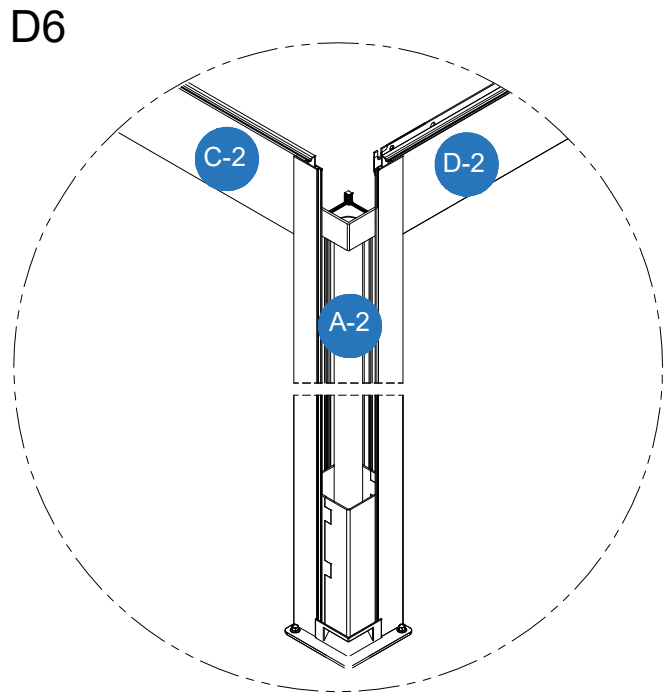
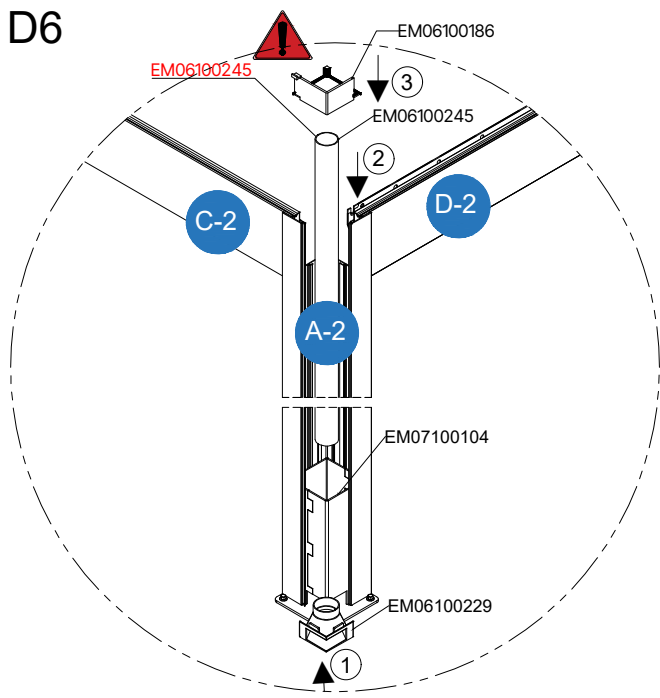
D5



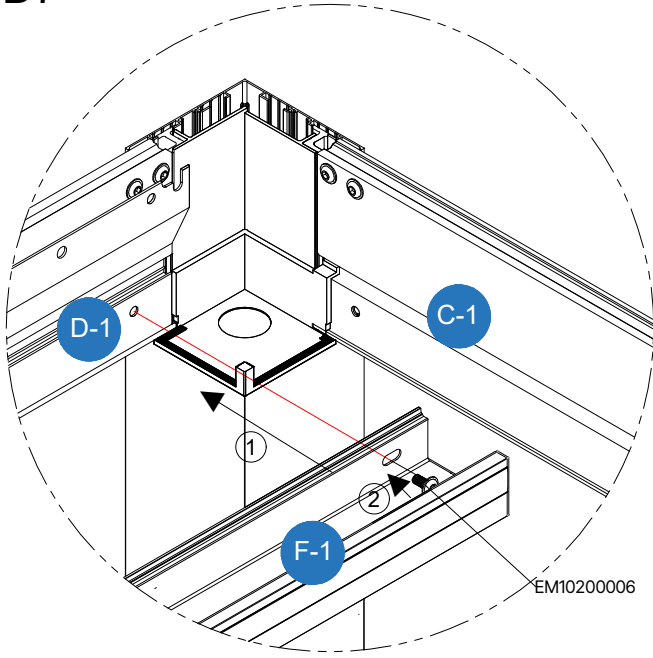
Diagonal size should be checked.

- If your system is 10'x10', then the diagonal measurement should be 386 cm. (152 in)
- If your system is 10'x13', then the diagonal measurement should be 466 cm. (183-1/2 in)
- If your system is 10'x16', then the diagonal measurement should be 554,5 cm. (218-1/4 in)

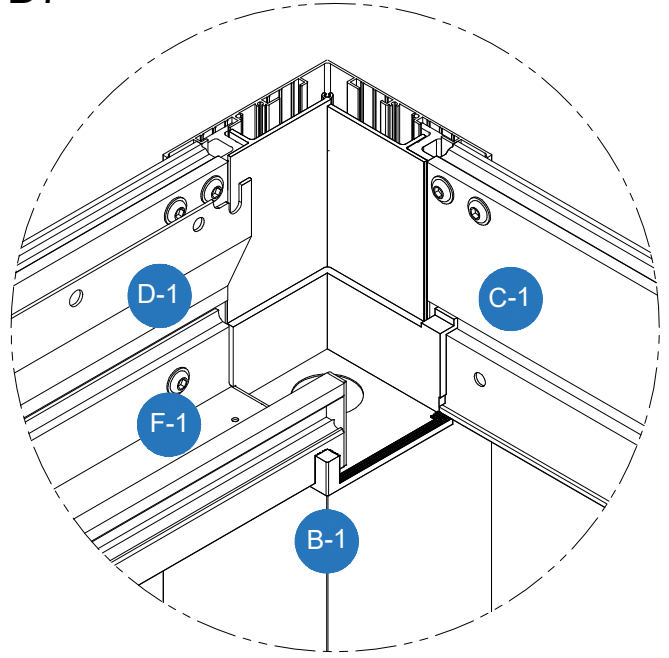
As shown in the figure, the diagonal dimensions of the system are checked. If the measurement is not correct, it is brought to the required size and the system is fixed by using ground screws. Water drain plugs are attached to the pillars on the front of the system. The pipe is passed from above and attached to the plugs. Rubbers are attached to the four corners. The rubbers on the part where the pipe is located (the two rubbers on the front face of the system) should be cut with a carpet knife from the circular area.



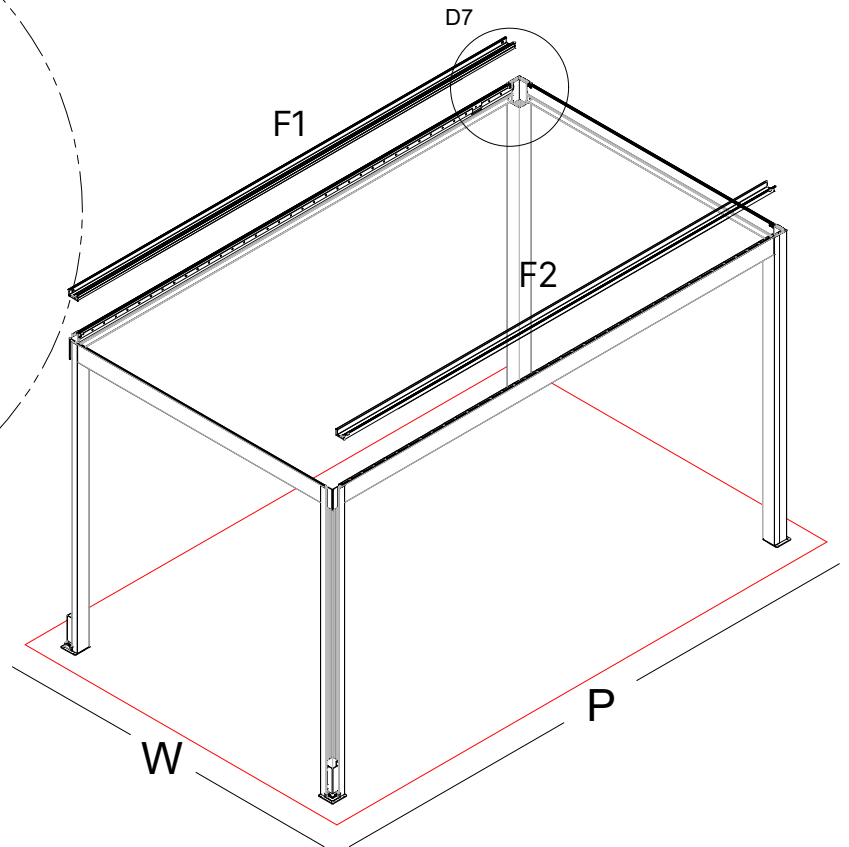
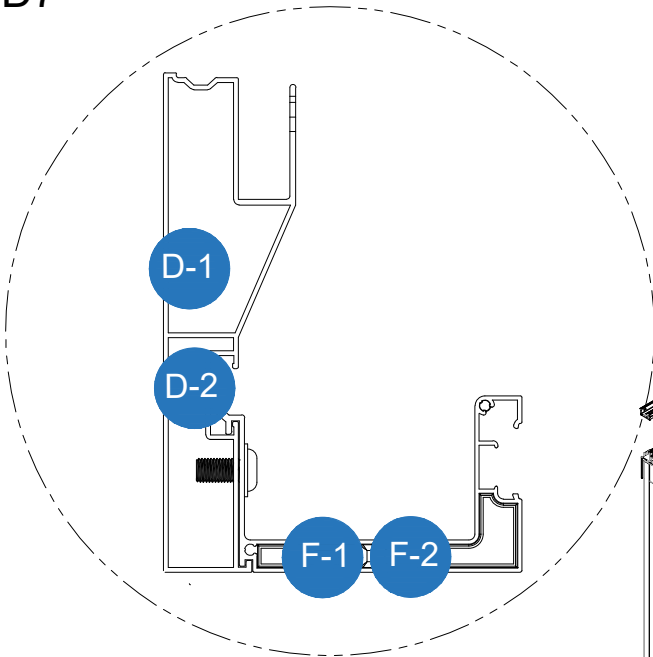
D7



D7

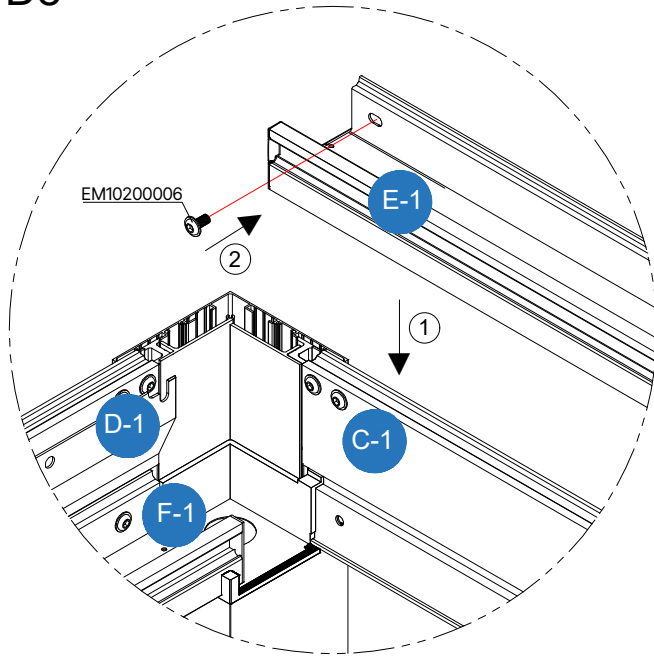


D7

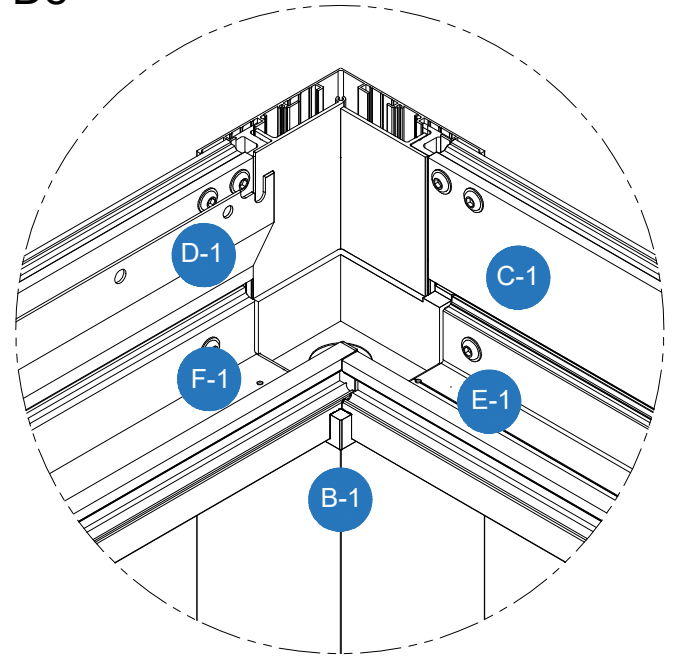


F1 and F2 gutters are installed in the P direction as shown above and fixed by screwing.

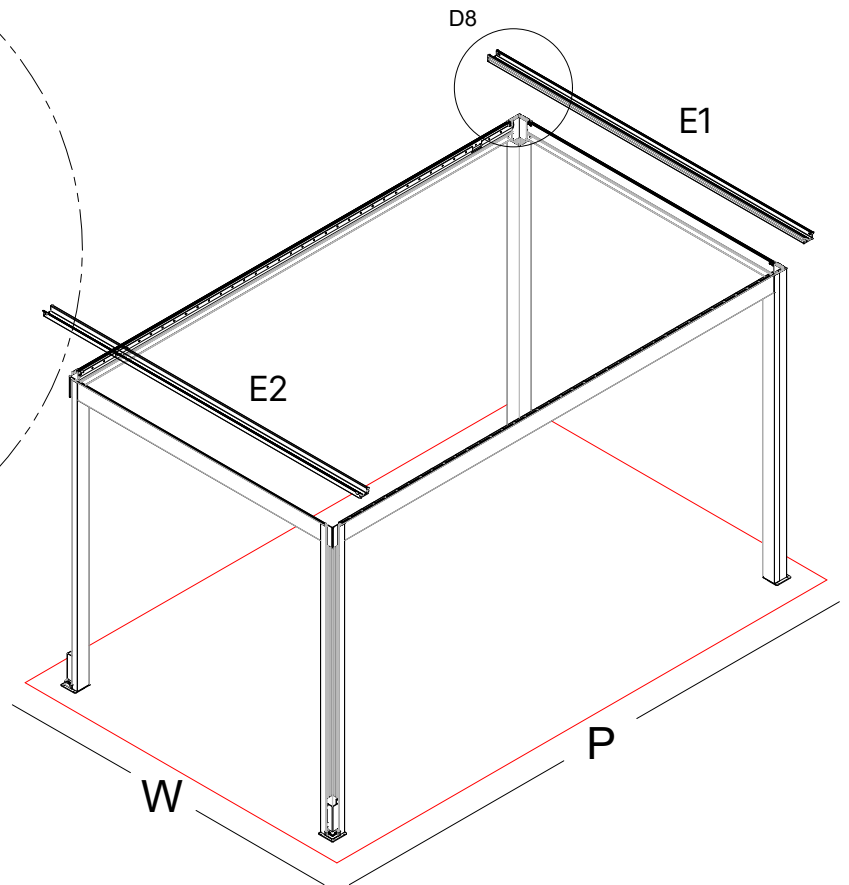
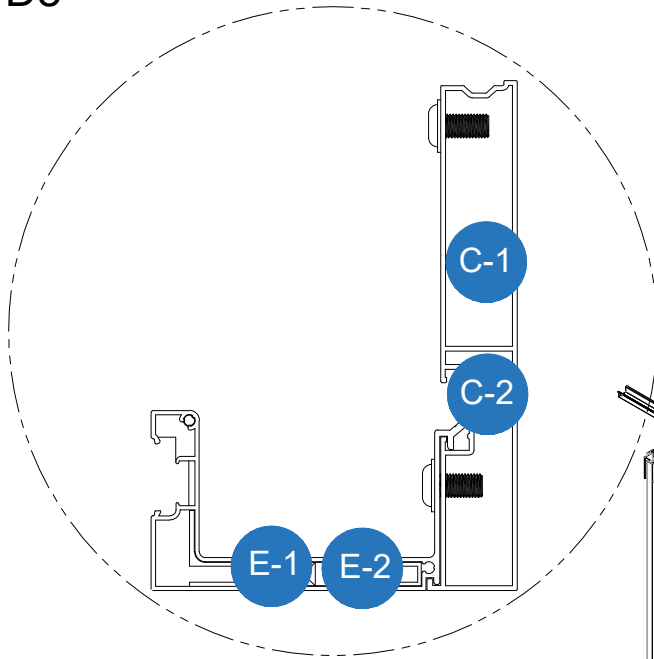
D8



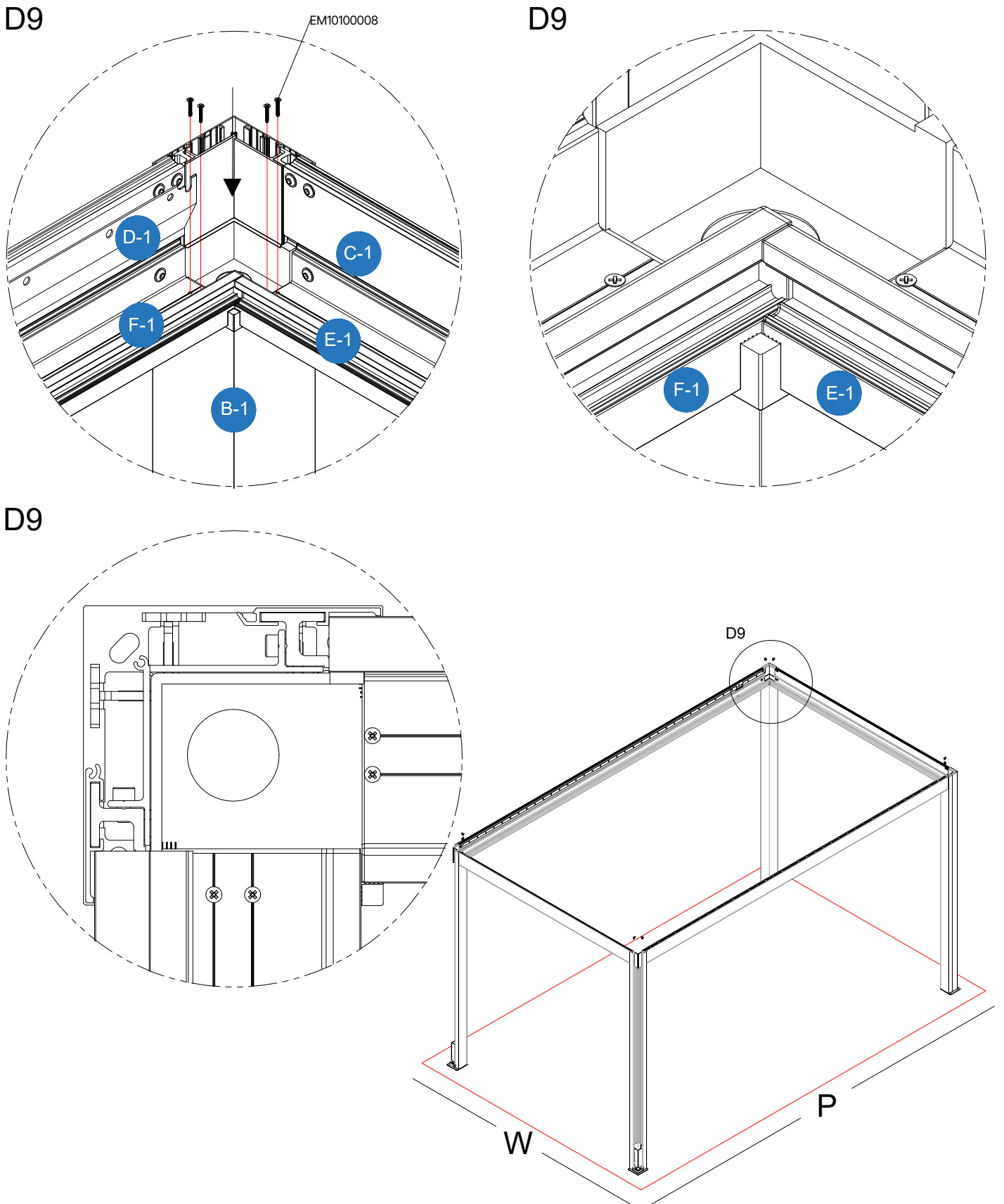
D8



D8

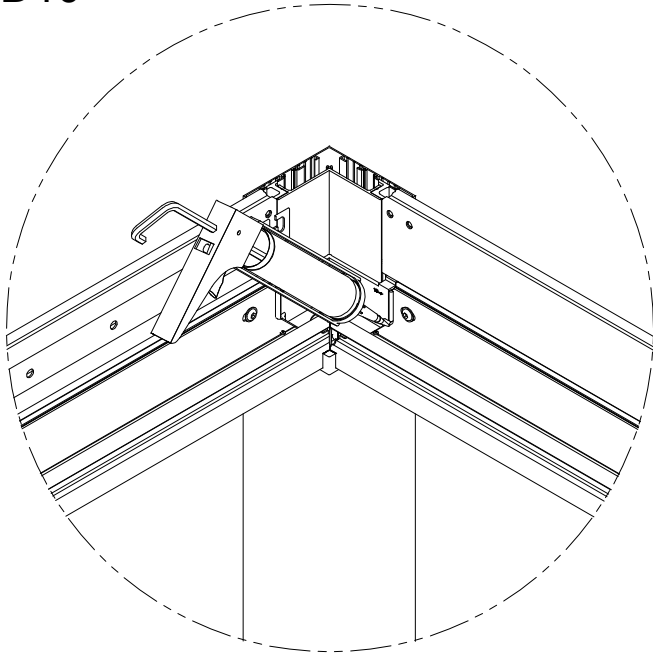


E1 and E2 gutters are installed in the W direction as shown above and fixed by screwing.

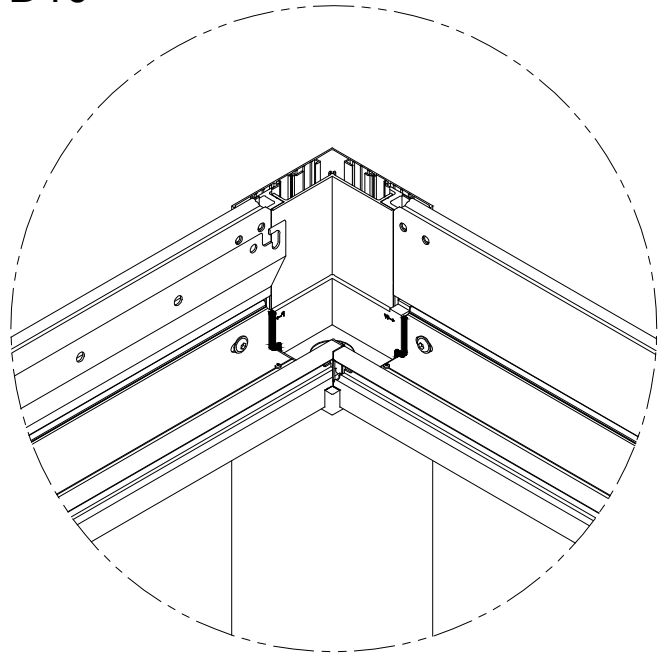


All gutters are fixed by screwing them from above with the screw code EM10100008 from each corner as shown in the figure.

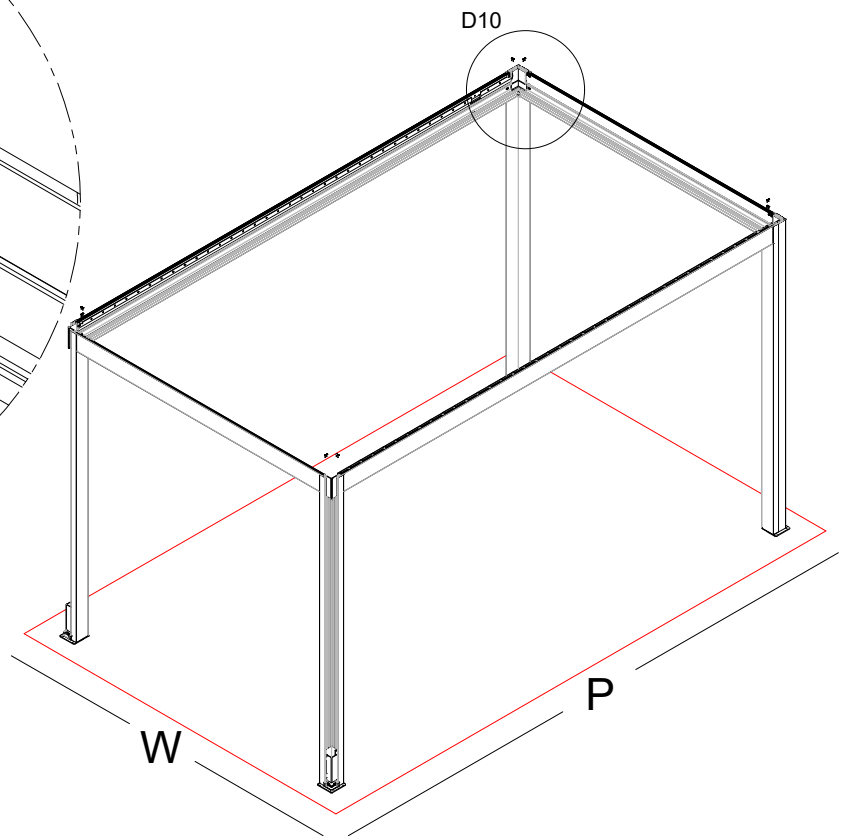
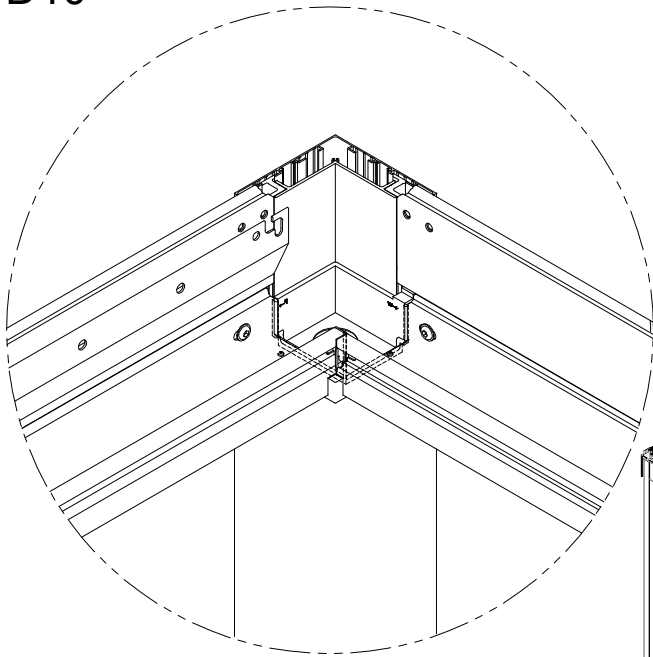
D10



D10

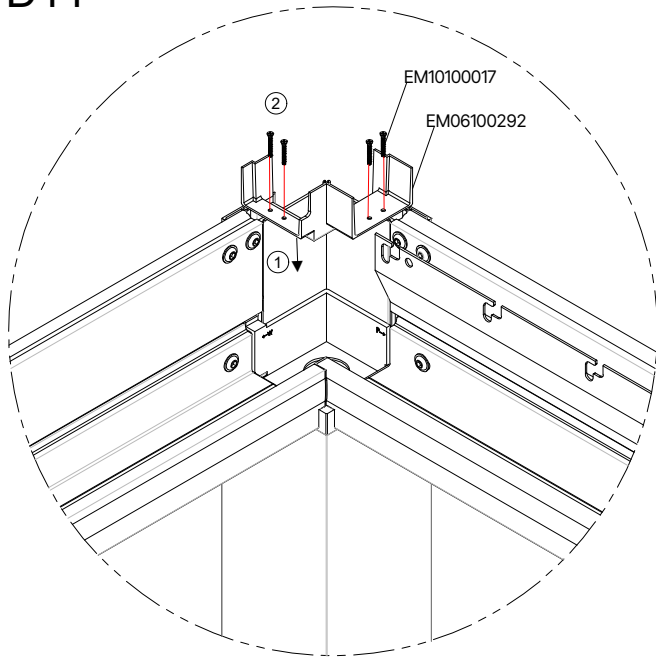


D10

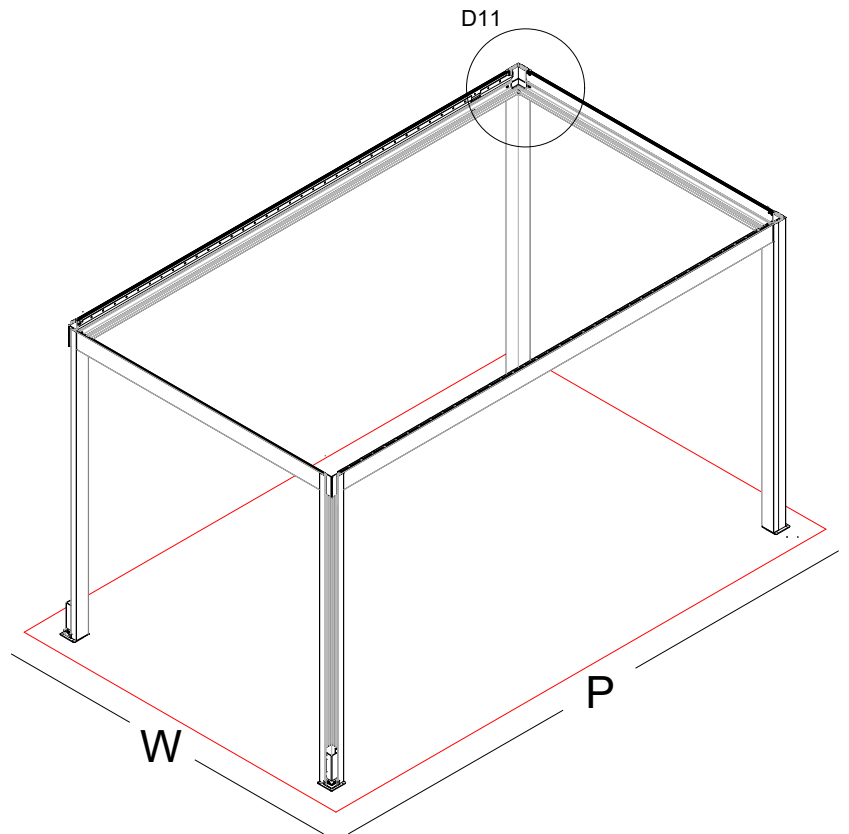
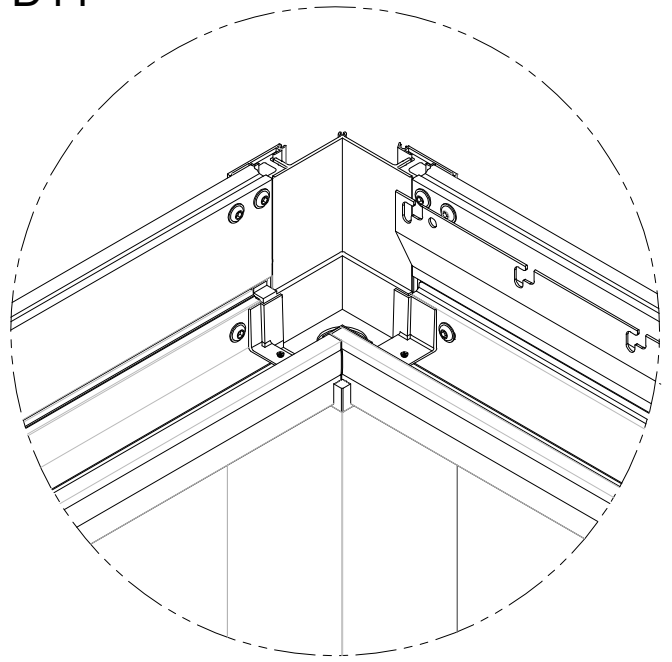


Silicone should be applied to the junction of the rubbers (EM06100186) on the 4 corners, as shown in the figure.

D11



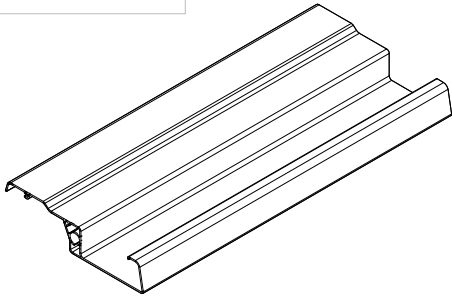
D11



All gutters are fixed by screwing them from above with the screw code EM10100017 from each corner as shown in the figure.

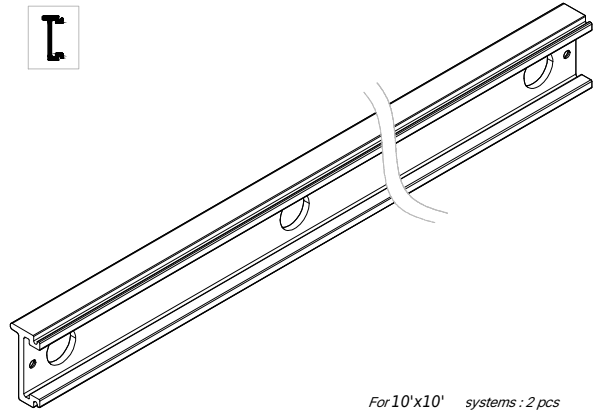
Ecoclimatic Profiles For Second Step

M7253



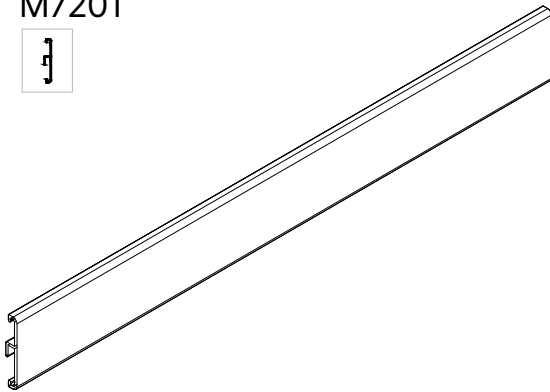
For 10'x10' systems : 22 pcs
For 10'x13' systems : 30 pcs
For 10'x16' systems : 38 pcs

M7031



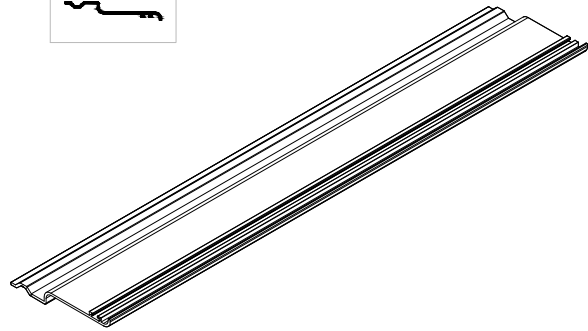
For 10'x10' systems : 2 pcs
For 10'x13' systems : 2 pcs
For 10'x16' systems : 2 pcs

M7201



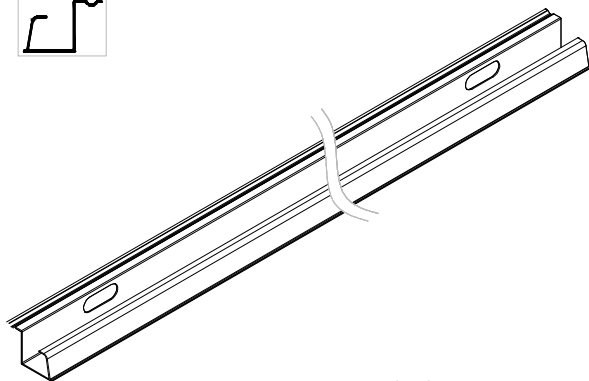
For 10'x10' systems : 2 pcs
For 10'x13' systems : 2 pcs
For 10'x16' systems : 2 pcs

M7029



For 10'x10' systems : 2 pcs
For 10'x13' systems : 2 pcs
For 10'x16' systems : 2 pcs

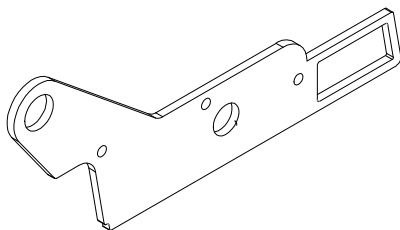
M7030



For 10'x10' systems : 2 pcs
For 10'x13' systems : 2 pcs
For 10'x16' systems : 2 pcs

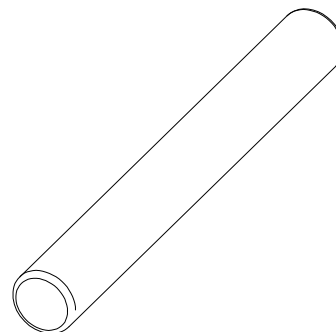
Ecoclimatic Accessories For Second Step

EM07200091



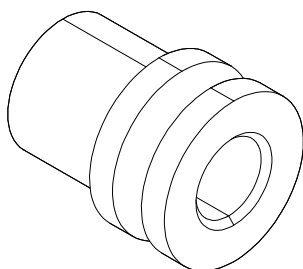
For 10'x10' systems : 43 pcs
For 10'x13' systems : 59 pcs
For 10'x16' systems : 75 pcs

EM07300164



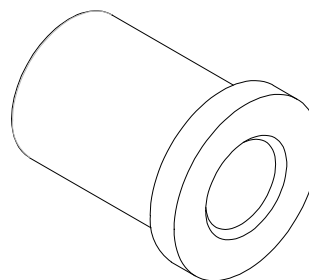
For 10'x10' systems : 43 pcs
For 10'x13' systems : 59 pcs
For 10'x16' systems : 75 pcs

EM06100202



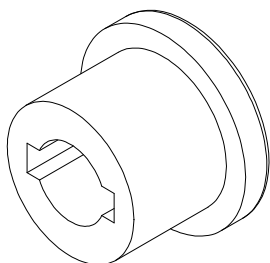
For 10'x10' systems : 22 pcs
For 10'x13' systems : 30 pcs
For 10'x16' systems : 38 pcs

EM06100228
reducer side



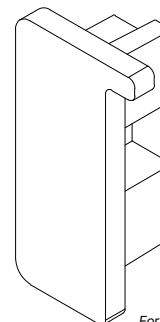
For 10'x10' systems : 21 pcs
For 10'x13' systems : 29 pcs
For 10'x16' systems : 37 pcs

EM06100208



For 10'x10' systems : 1 pcs
For 10'x13' systems : 1 pcs
For 10'x16' systems : 1 pcs

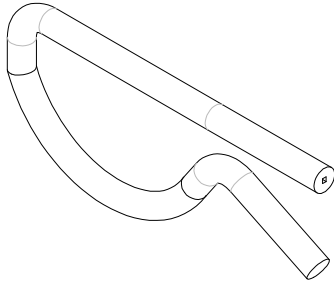
EM06100279 - (Black)
EM06100278 - (White)



For 10'x10' systems : 4 pcs
For 10'x13' systems : 4 pcs
For 10'x16' systems : 4 pcs

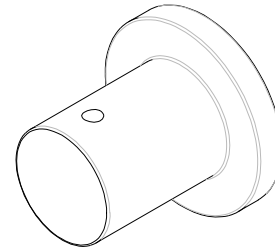
Ecoclimatic Accessories For Second Step

EM07400027



For 10'x10' systems : 44 pcs
For 10'x13' systems : 60 pcs
For 10'x16' systems : 76 pcs

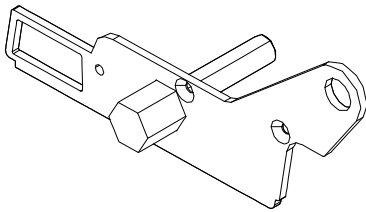
EM06100302



For 10'x10' systems : 44 pcs
For 10'x13' systems : 60 pcs
For 10'x16' systems : 76 pcs

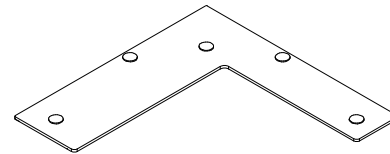
EM07100190

Reducer Blade



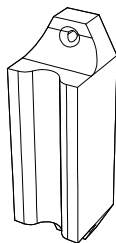
For 10'x10' systems : 1 pcs
For 10'x13' systems : 1 pcs
For 10'x16' systems : 1 pcs

EM07100105



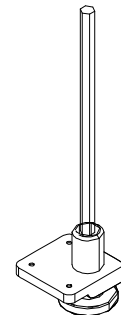
For 10'x10' systems : 4 pcs
For 10'x13' systems : 4 pcs
For 10'x16' systems : 4 pcs

EM07300185 - (Black)
EM07300035 - (White)



For 10'x10' systems : 1 pcs
For 10'x13' systems : 1 pcs
For 10'x16' systems : 1 pcs

EM07200069 - (Black)
EM07200038 - (White)



For 10'x10' systems : 1 pcs
For 10'x13' systems : 1 pcs
For 10'x16' systems : 1 pcs

Ecoclimatic Accessories For Second Step

EM07300184 - (Black)
EM07300183 - (White)



For 10'x10' systems : 1 pcs
For 10'x13' systems : 1 pcs
For 10'x16' systems : 1 pcs

EM07300169 - (Black)
EM07300187 - (White)



For 10'x10' systems : 1 pcs
For 10'x13' systems : 1 pcs
For 10'x16' systems : 1 pcs

EM07200070 - (Black)
EM07200036 - (White)

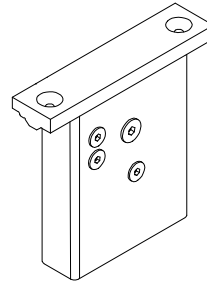


For 10'x10' systems : 1 pcs
For 10'x13' systems : 1 pcs
For 10'x16' systems : 1 pcs

EM06100282 - (Black)
EM06100283 - (White)

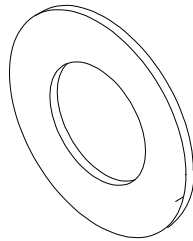


This accessory comes pre-assembled with the product.



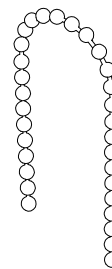
For 10'x10' systems : 1 pcs
For 10'x13' systems : 1 pcs
For 10'x16' systems : 1 pcs

EM10400005



For 10'x10' systems : 44 pcs
For 10'x13' systems : 60 pcs
For 10'x16' systems : 76 pcs

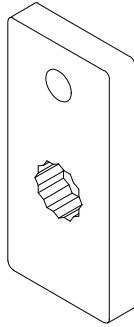
EM07300127



For 10'x10' systems : 1 pcs
For 10'x13' systems : 1 pcs
For 10'x16' systems : 1 pcs

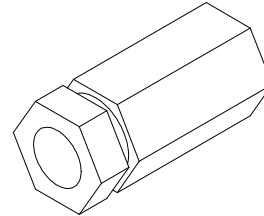
Ecoclimatic Accessories For Second Step

EM07300233



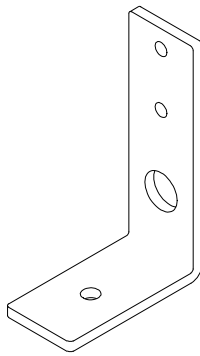
For 10'x10' systems : 1 pcs
 For 10'x13' systems : 1 pcs
 For 10'x16' systems : 1 pcs

EM07300231



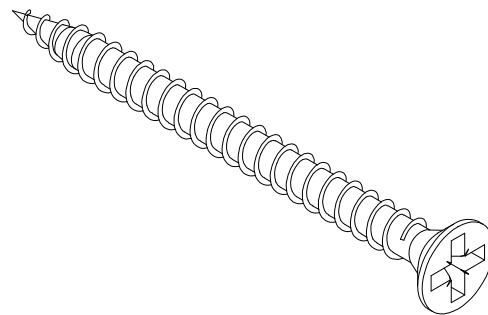
For 10'x10' systems : 1 pcs
 For 10'x13' systems : 1 pcs
 For 10'x16' systems : 1 pcs

EM07300232



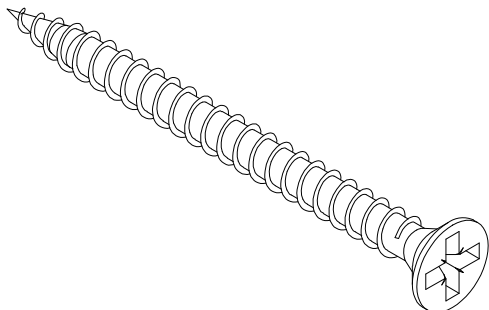
For 10'x10' systems : 1 pcs
 For 10'x13' systems : 1 pcs
 For 10'x16' systems : 1 pcs

EM10100007
 3,9x30mm Screw



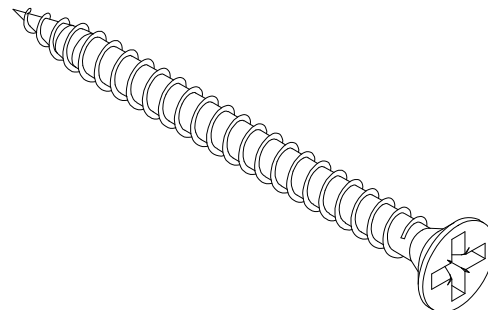
For 10'x10' systems : 132 pcs
 For 10'x13' systems : 180 pcs
 For 10'x16' systems : 228 pcs

EM10100030
 3,9x25mm Screw



For 10'x10' systems : 30 pcs
 For 10'x13' systems : 30 pcs
 For 10'x16' systems : 30 pcs

EM10100009
 3,9x16mm Screw

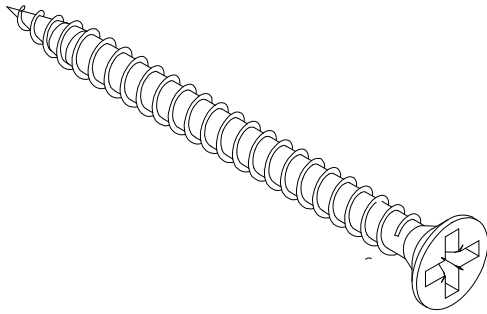


For 10'x10' systems : 6 pcs
 For 10'x13' systems : 6 pcs
 For 10'x16' systems : 6 pcs

Ecoclimatic Accessories For Second Step

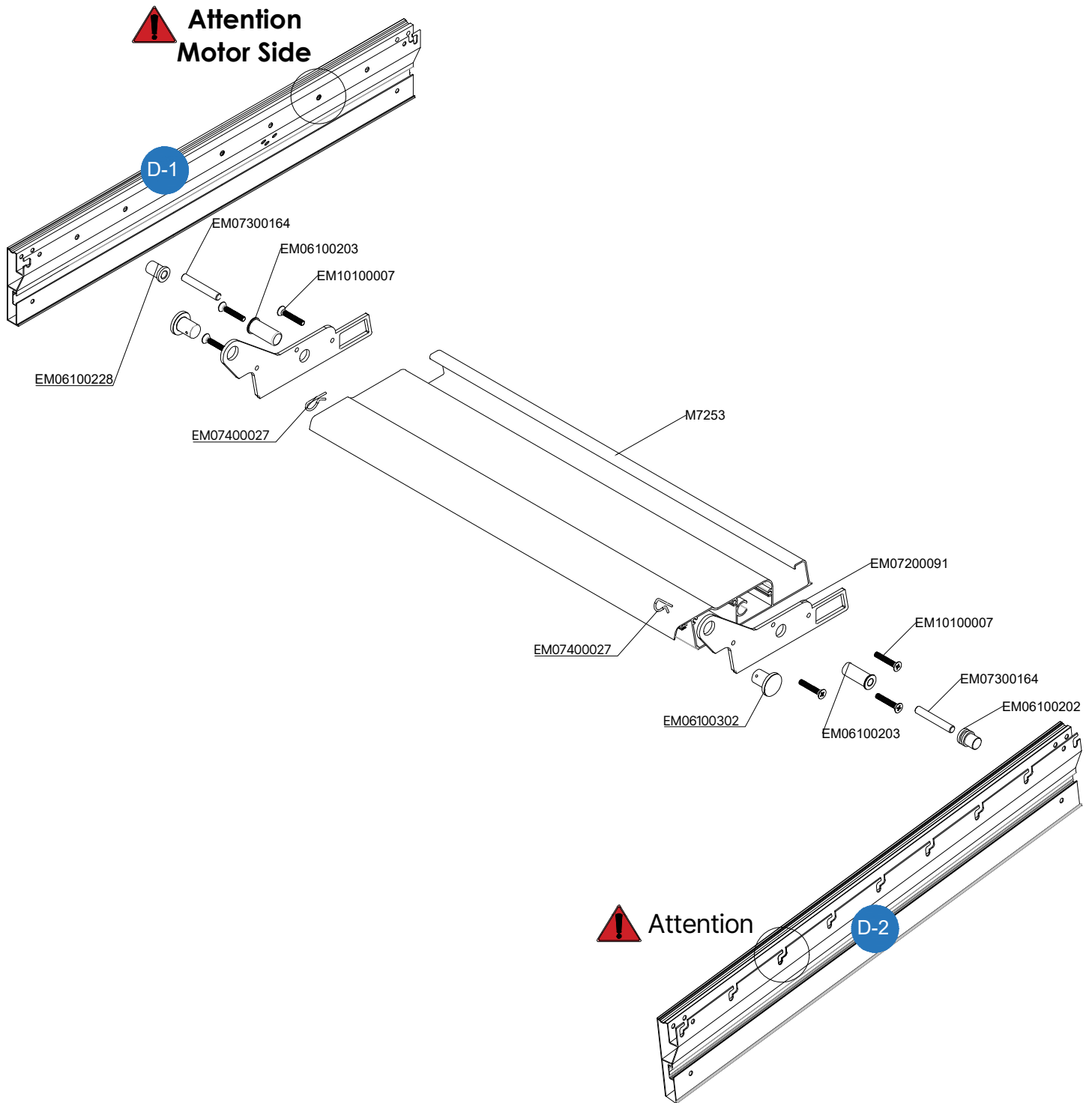
EM10100006

3,9x12mm Screw

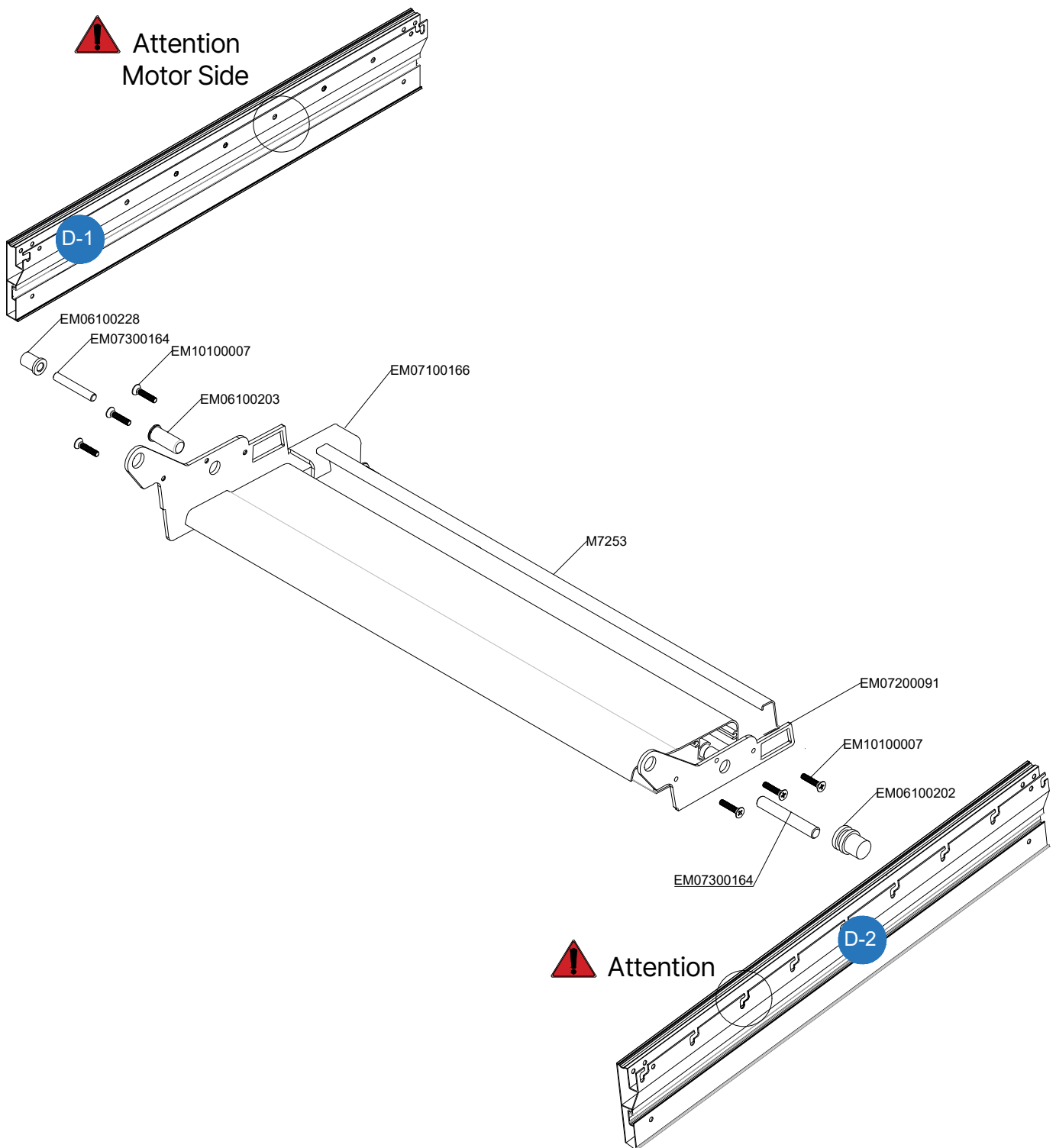


For 10'x10' systems : 4 pcs
For 10'x13' systems : 4 pcs
For 10'x16' systems : 4 pcs

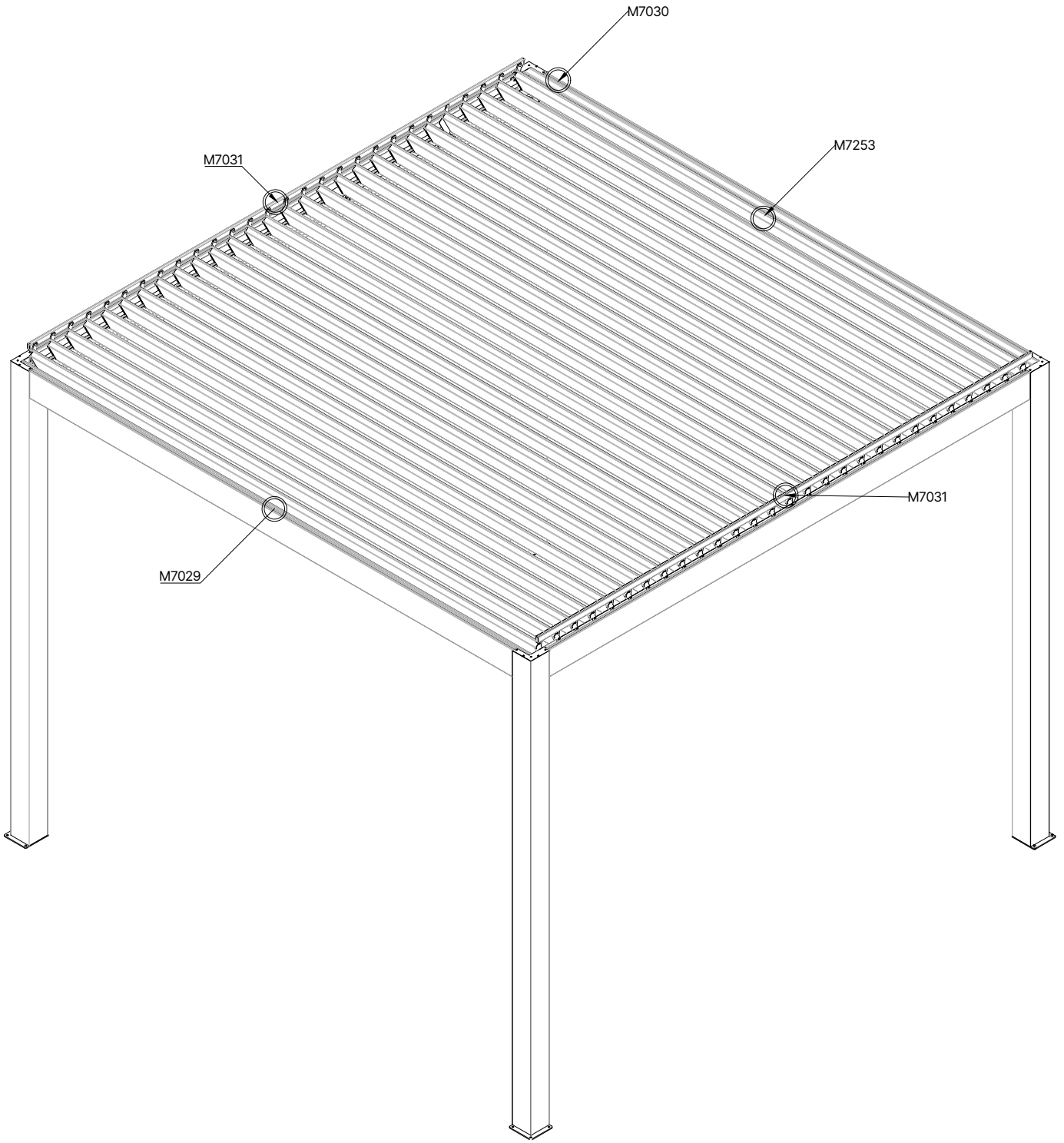
Ecoclimatic Second Step : Preparing Blades



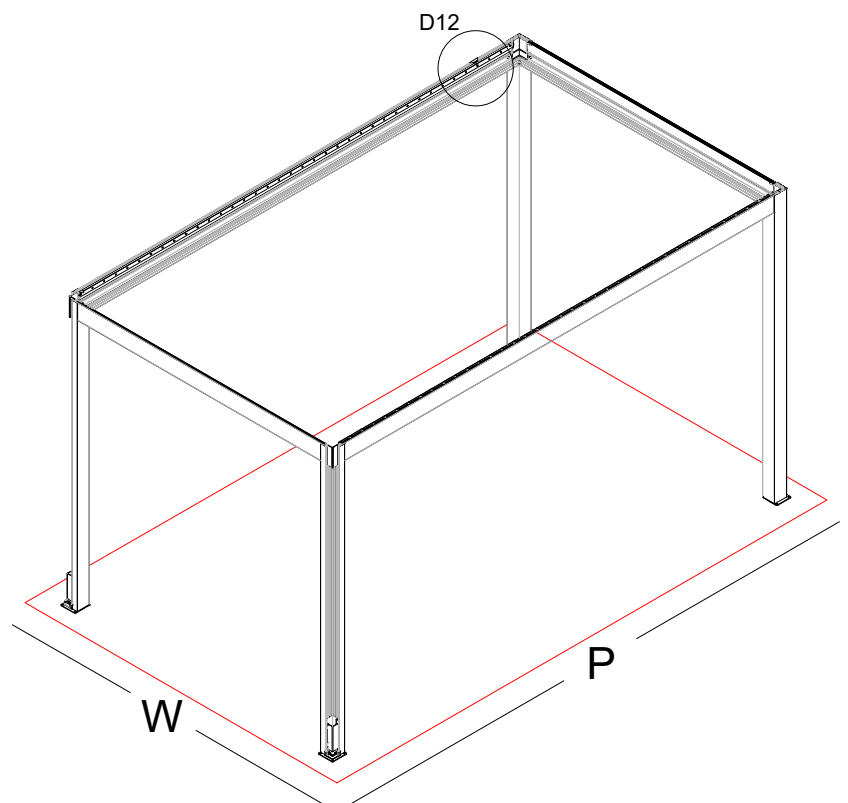
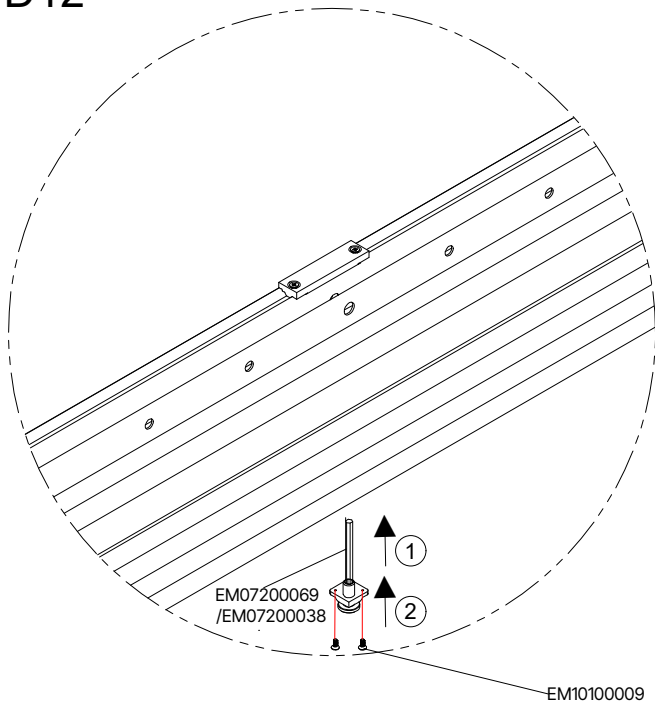
Ecoclimatic Second Step : Reducer Blade



Ecoclimatic Second Step : Mounting Roof

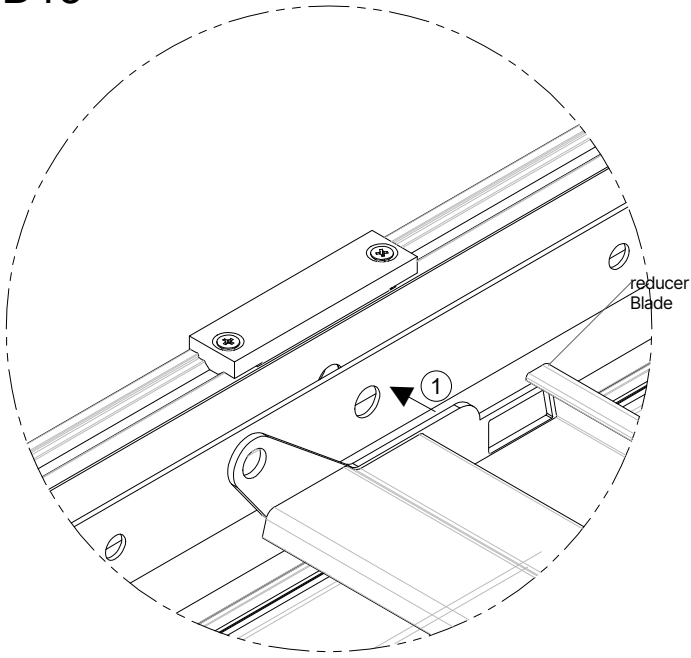


D12

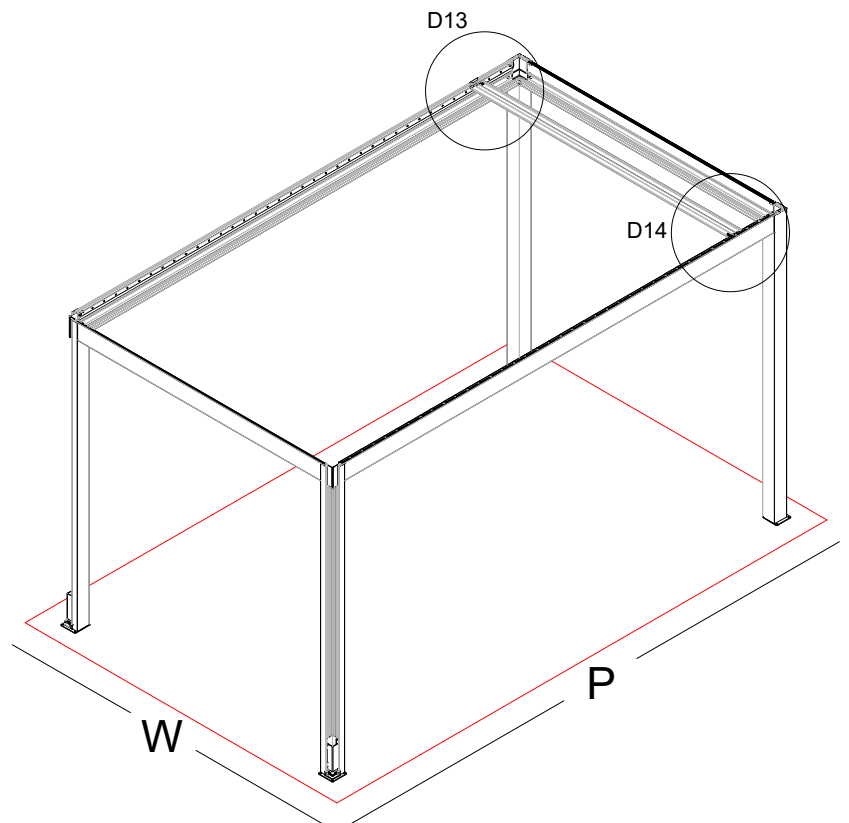
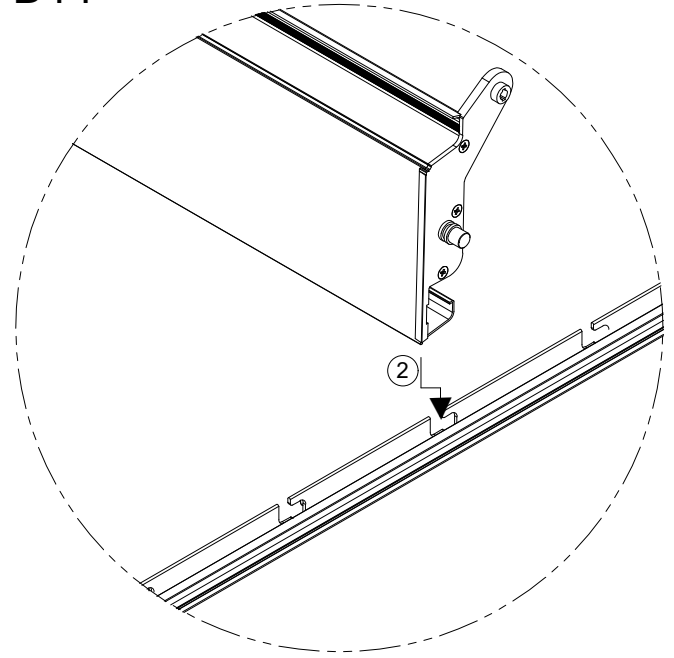


The reducer is fixed to its previously prepared housing with the help of bolts. Then, the hexagon discharge shaft is mounted from above, passing through the hole position in the gutter. The discharge shaft is attached to the connection apparatus under the gutter and fixed with screws. Finally, the reducer hiding cover is attached and screwed to the side wall.

D13

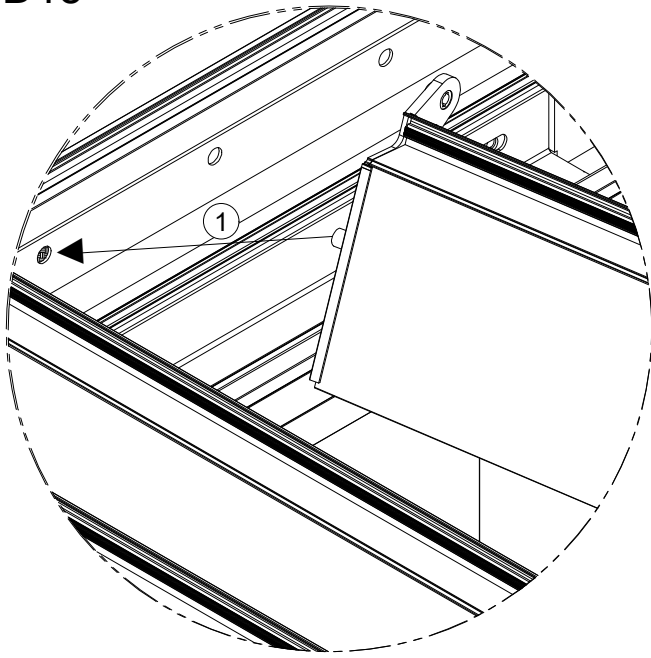


D14

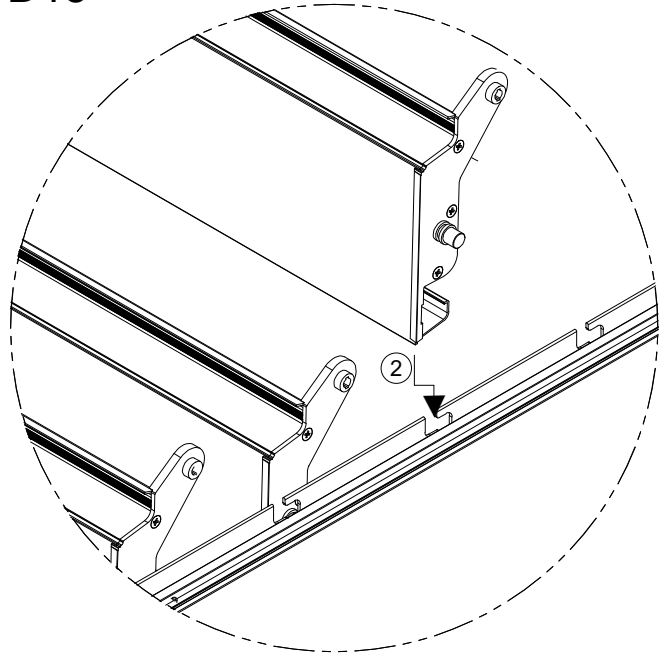


The previously prepared reducer blade is connected to the pim and installed in the channels as shown above.

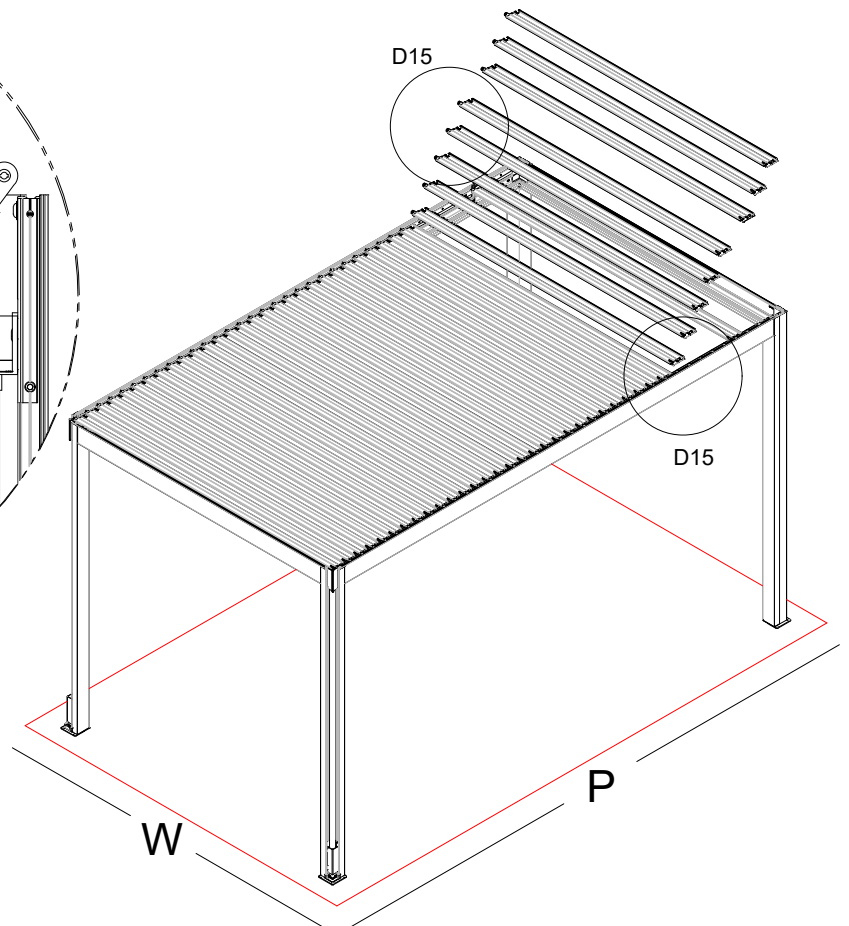
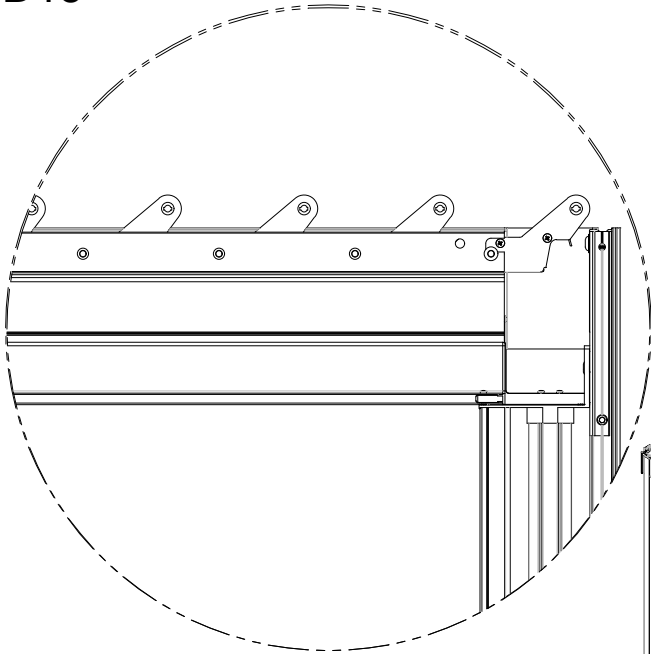
D15



D15

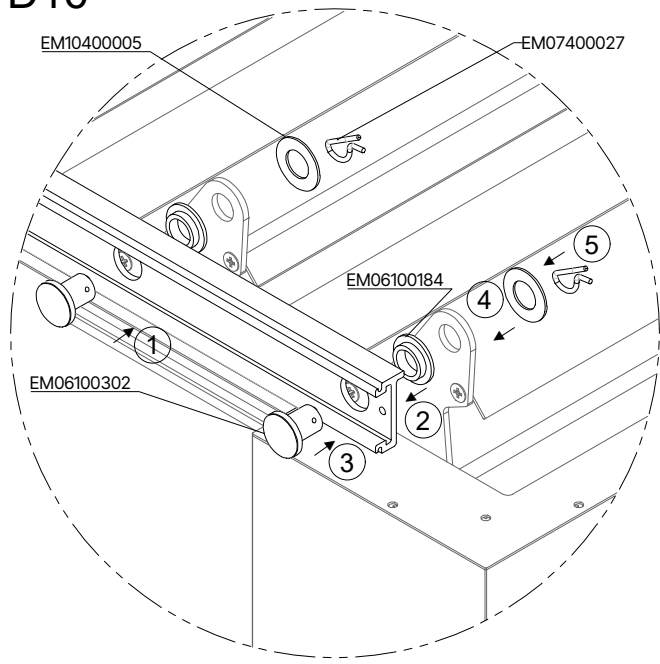


D15

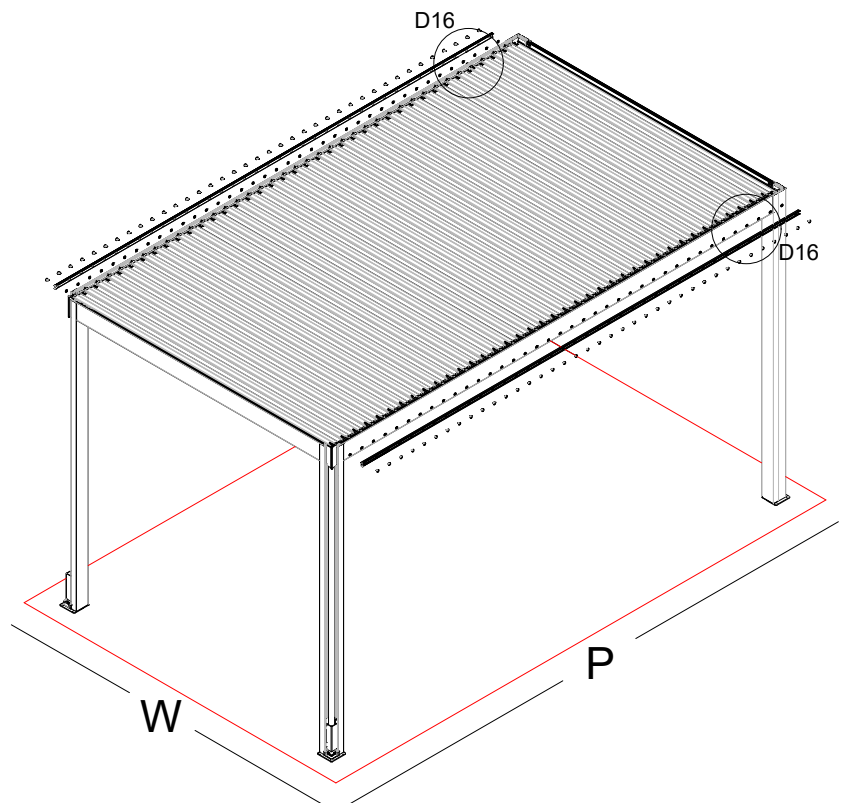
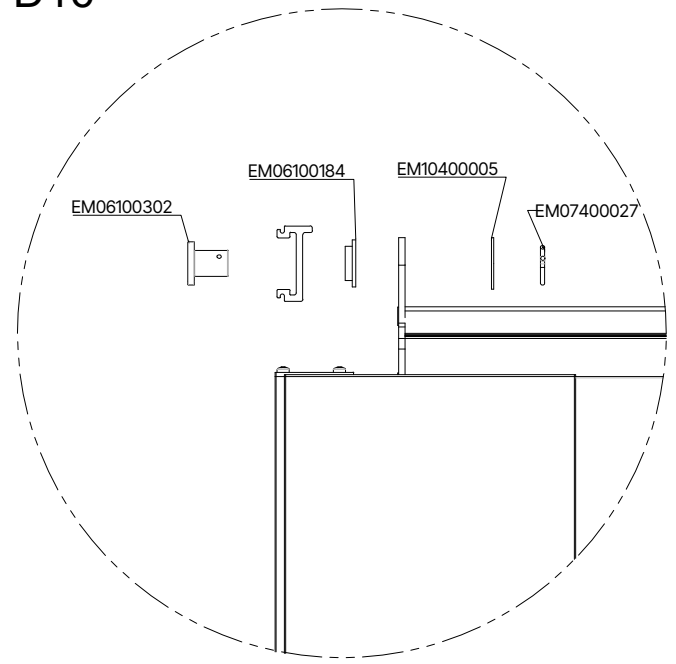


Other previously prepared blades are attached to the channels sequentially as shown above.

D16

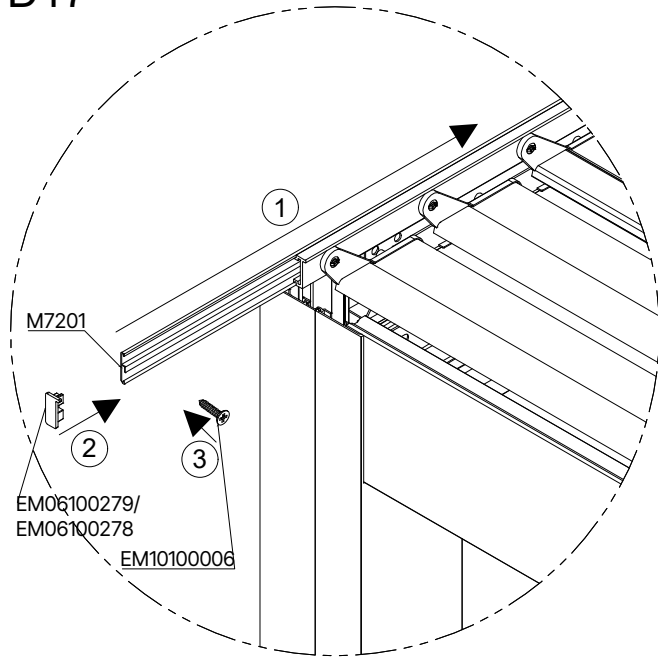


D16

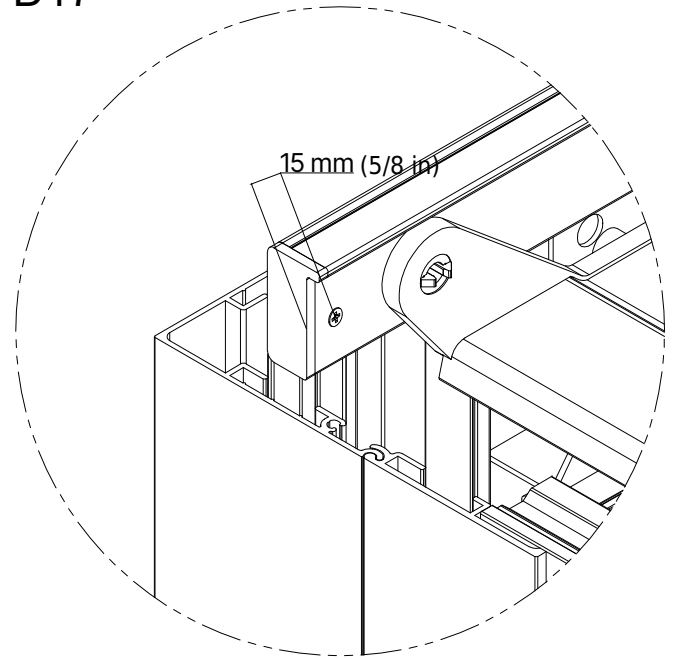


The joint arm (M7031) on the right and left is inserted as shown above. An additional part is placed for the reducer blade.

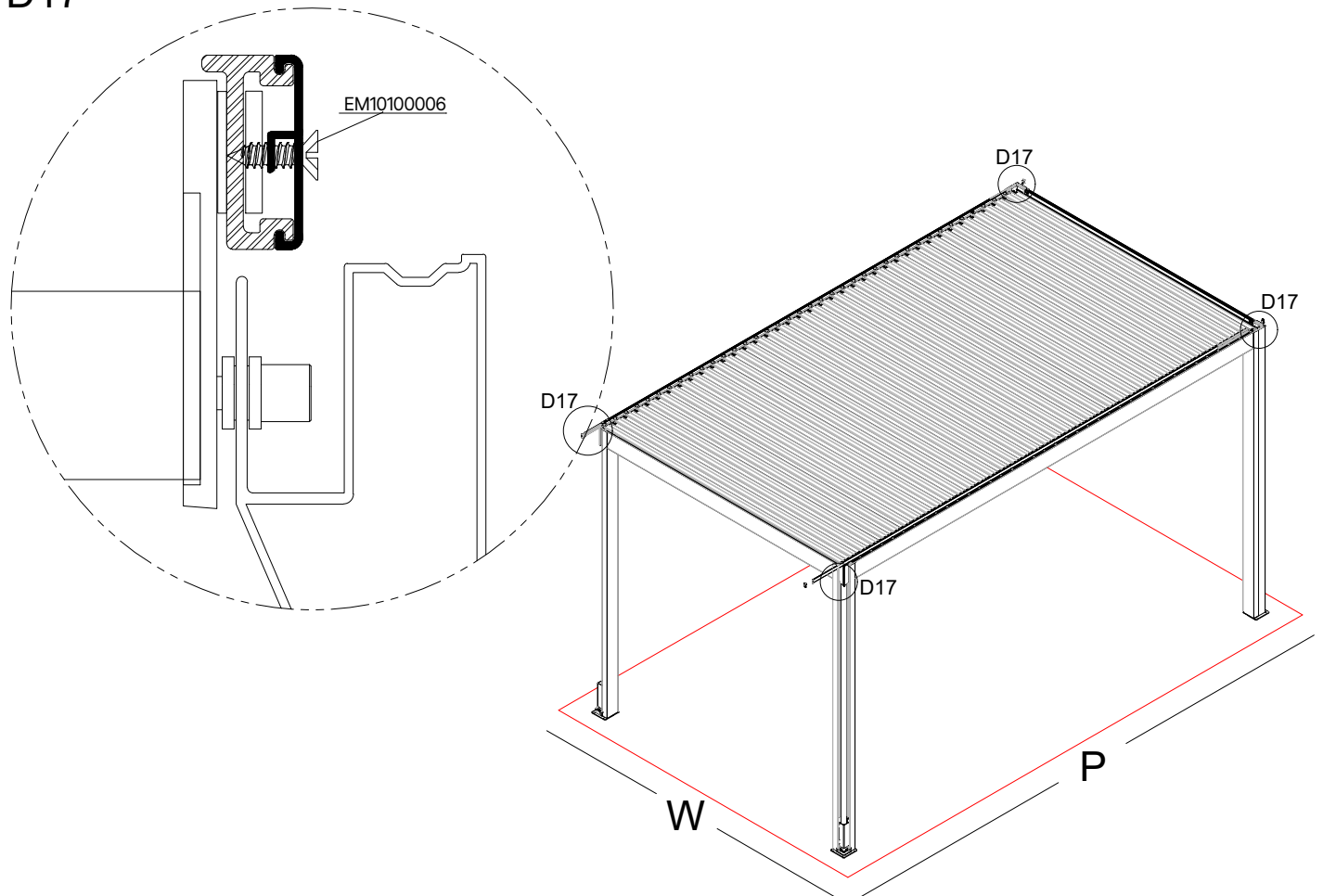
D17



D17

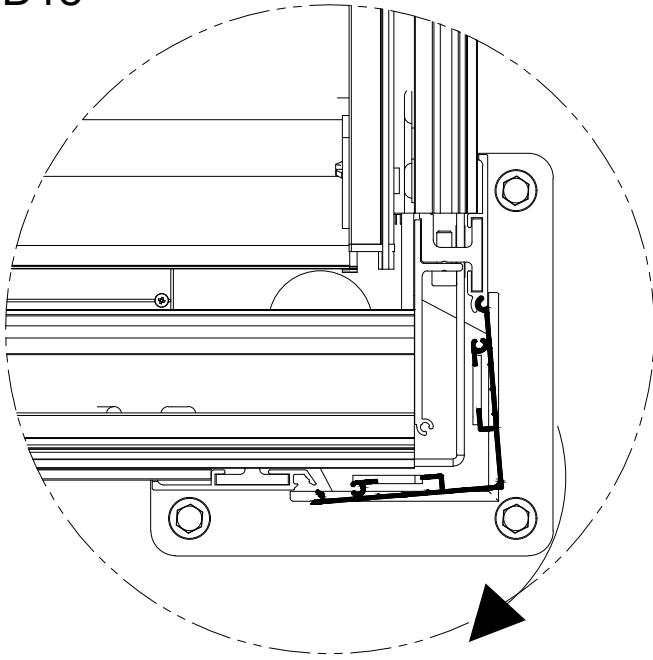


D17

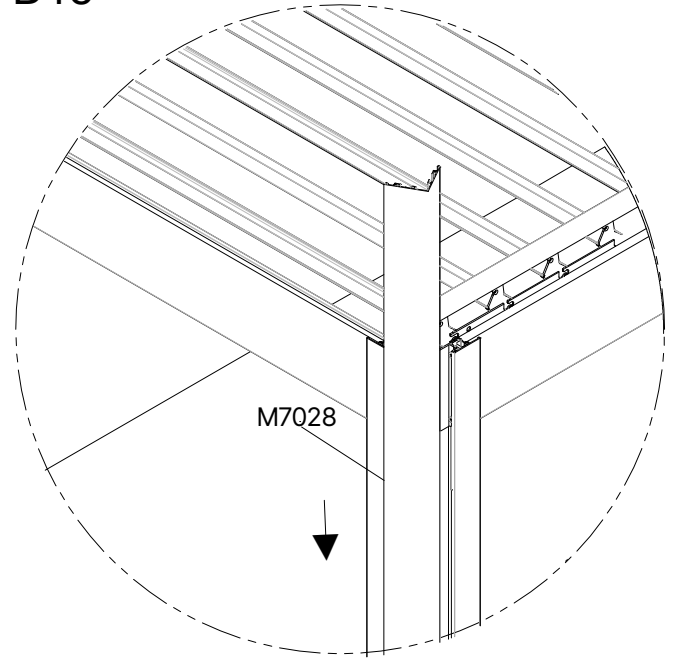


The cover profiles of the joint arm (M7201) are inserted. The plastic covers to be used on the front and back are fixed by screwing after they are installed.

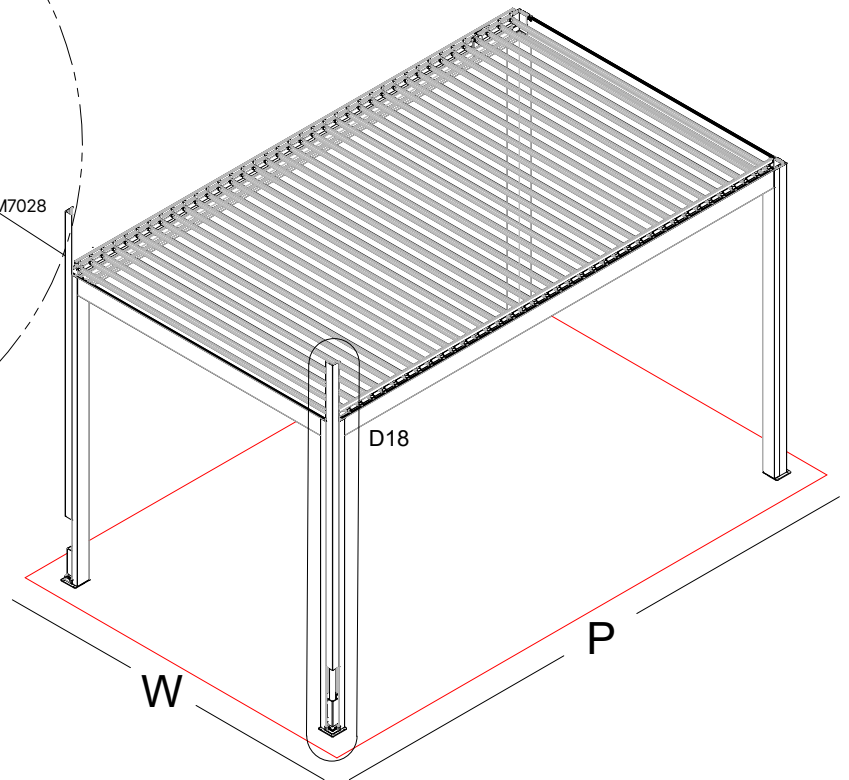
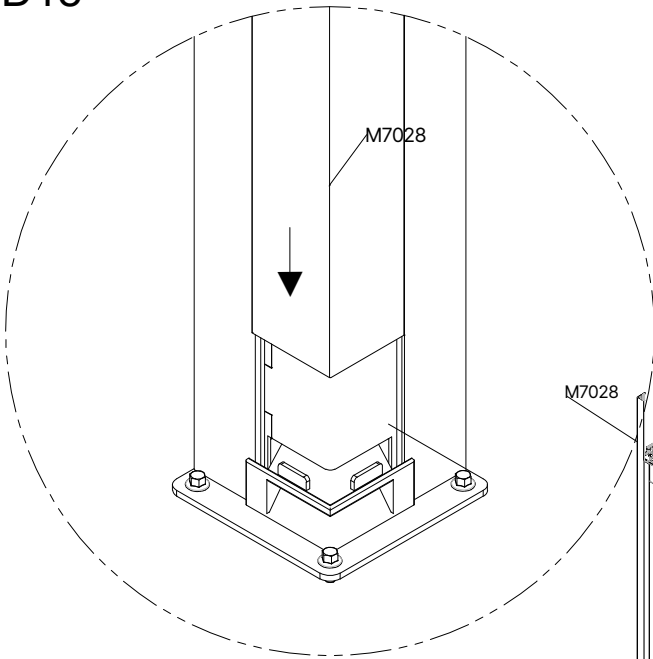
D18



D18

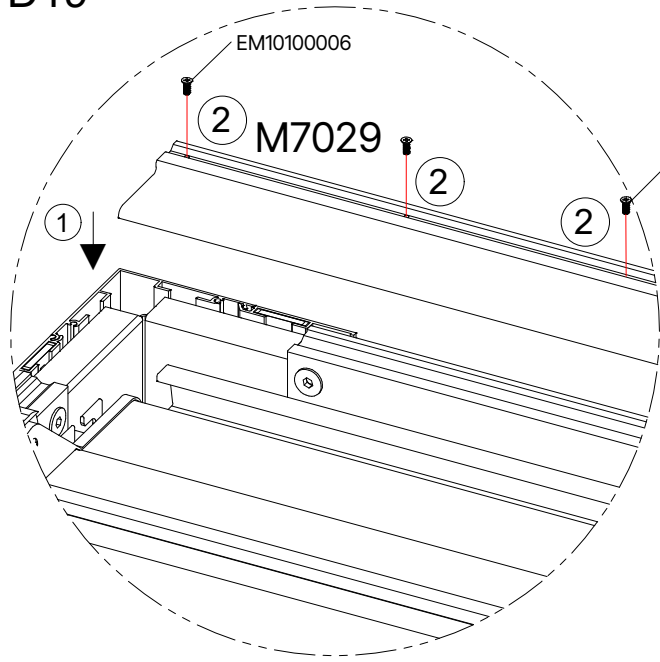


D18

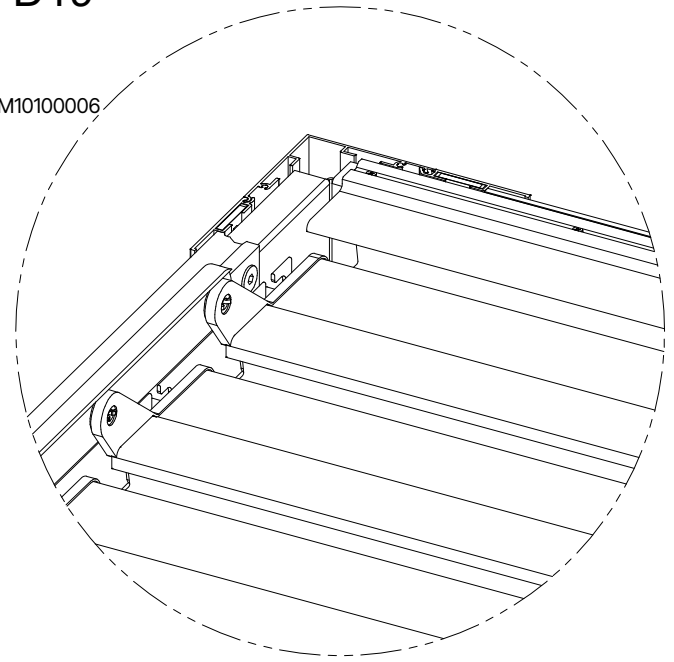


The pillar covers (M7028) on the front of the system are placed on the tabs and installed from top to bottom.

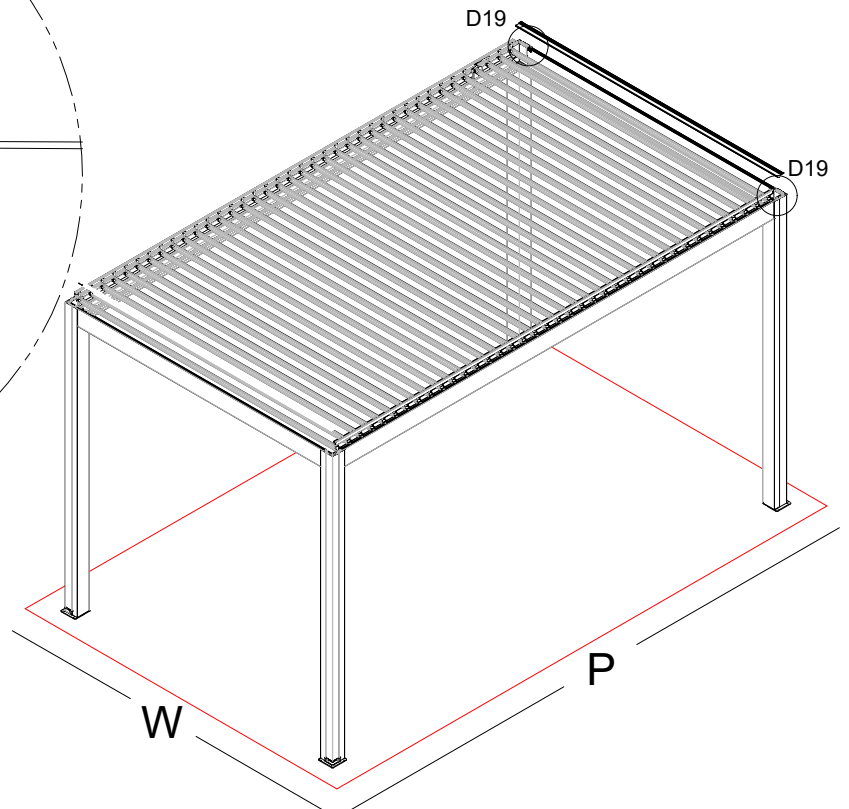
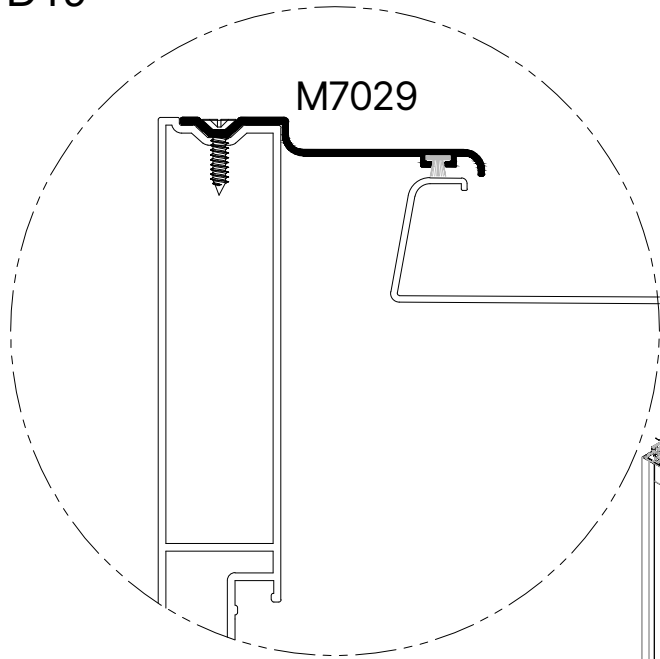
D19



D19

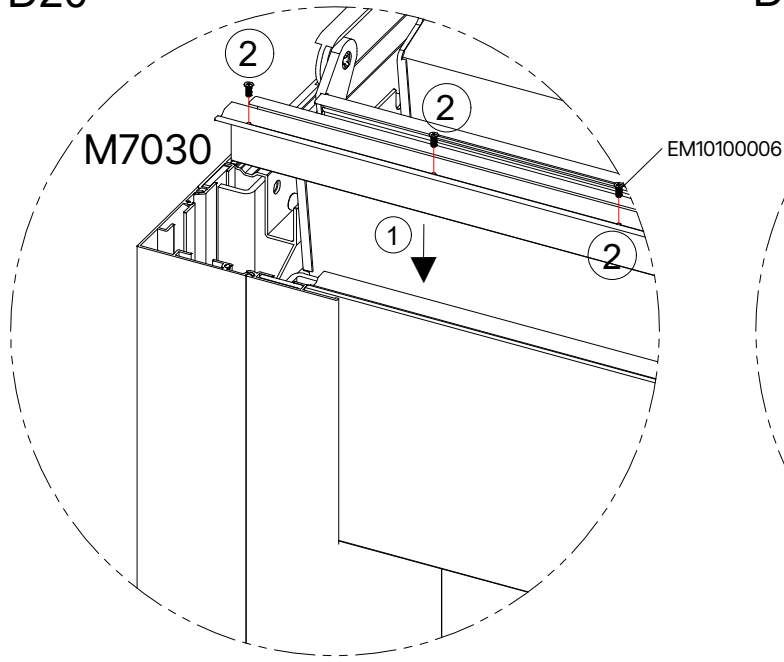


D19

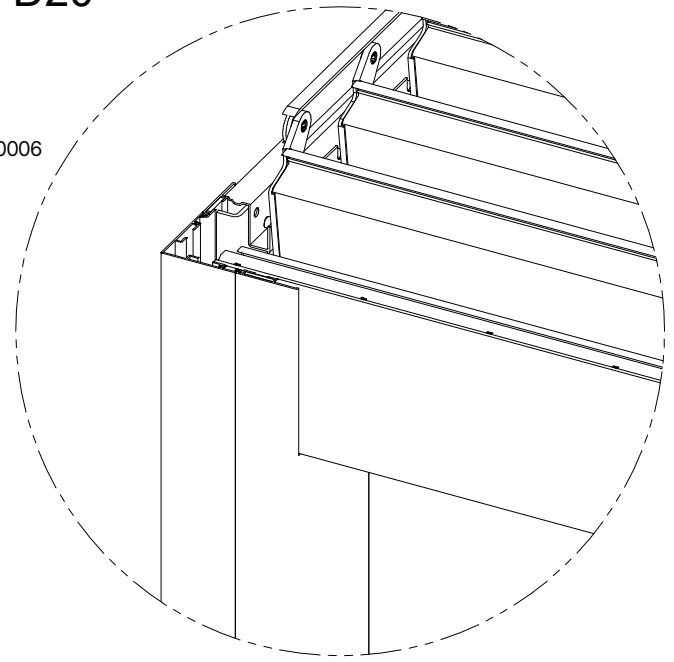


The rear cover profile is installed and screwed as shown above.

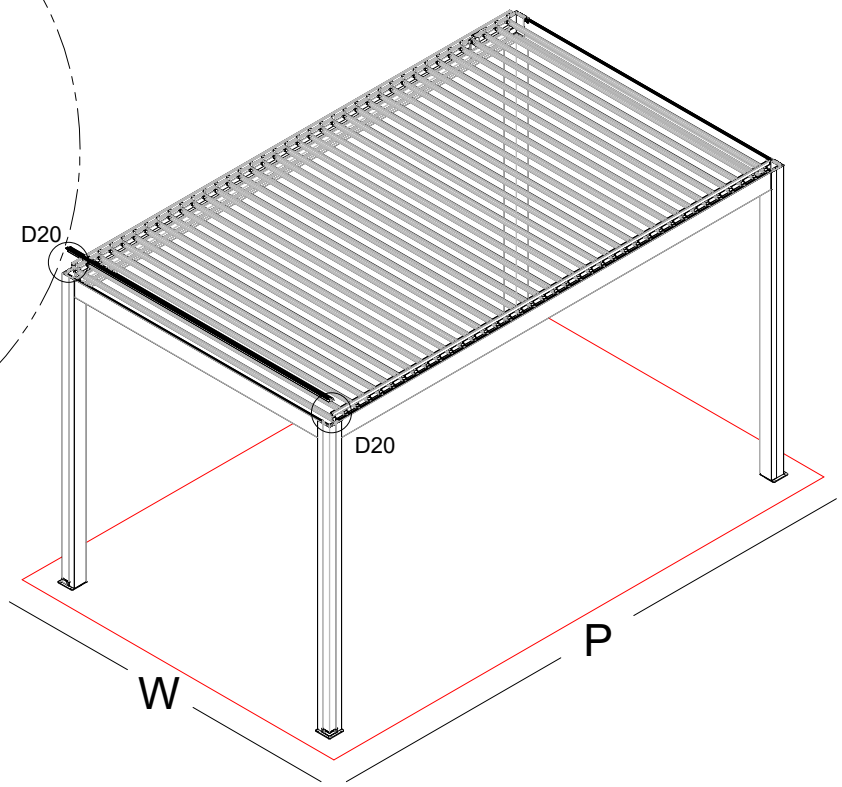
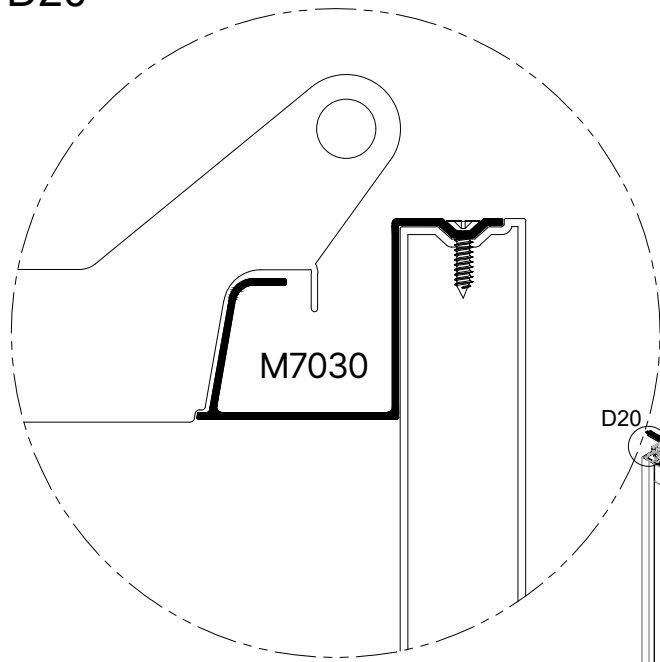
D20



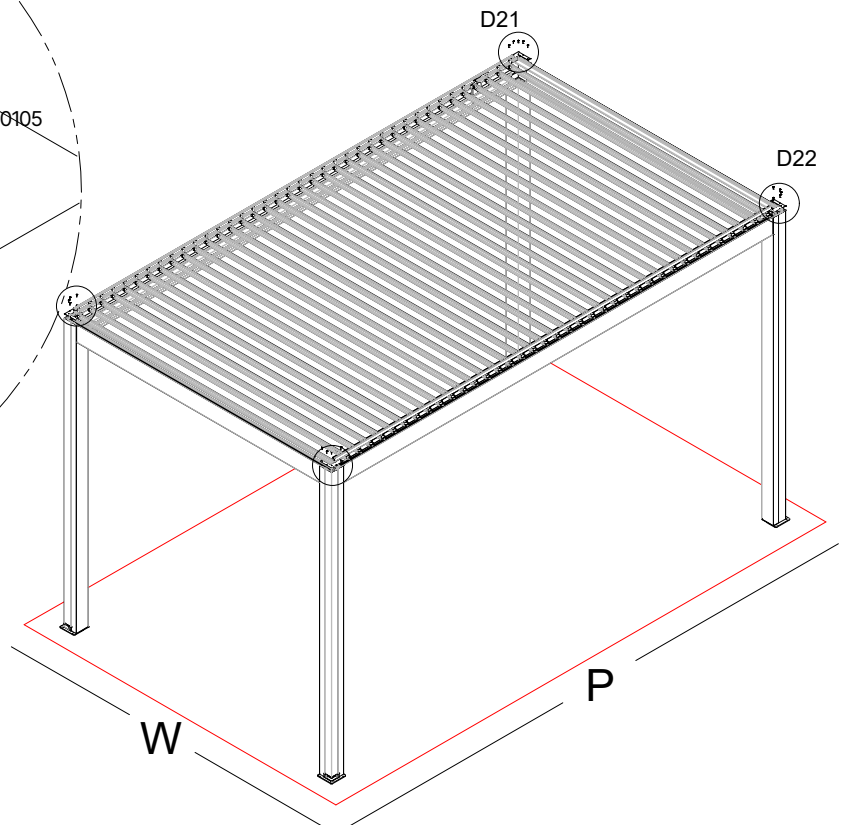
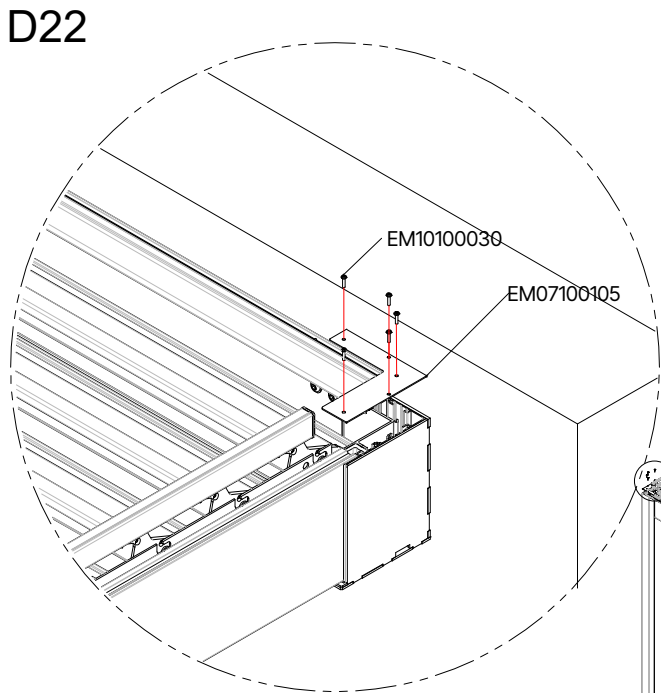
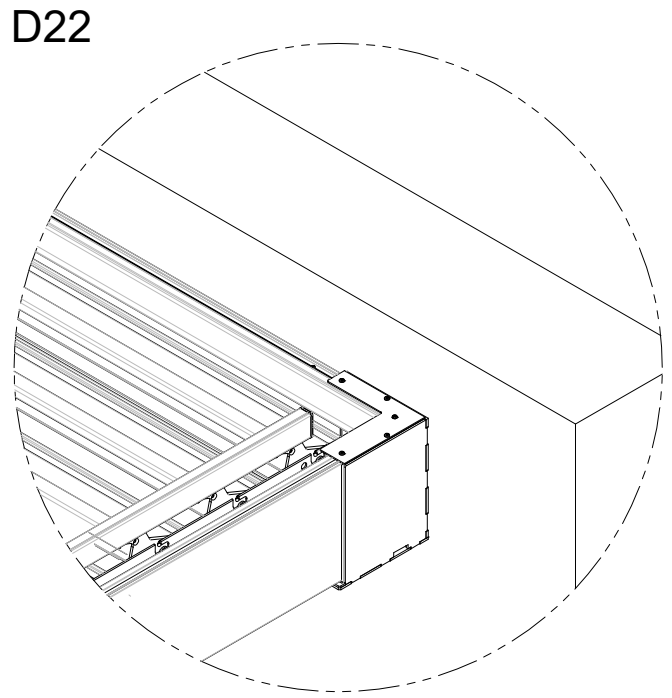
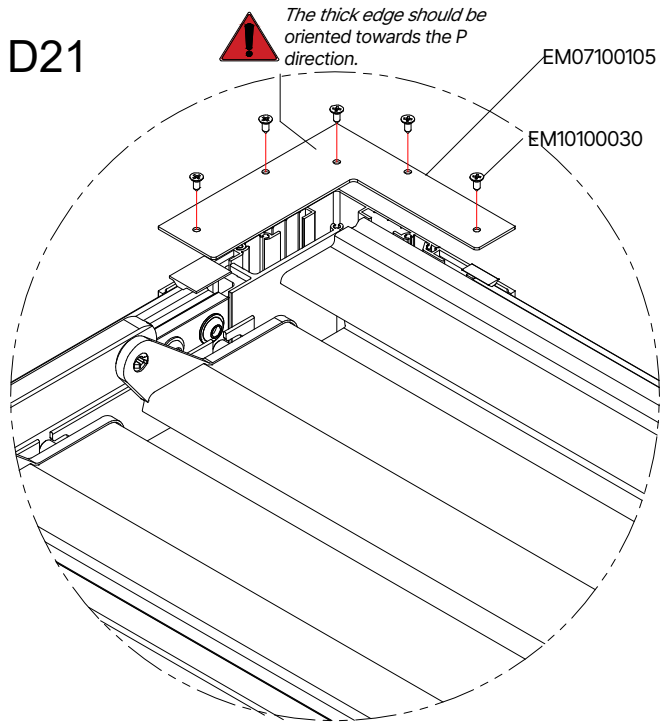
D20



D20

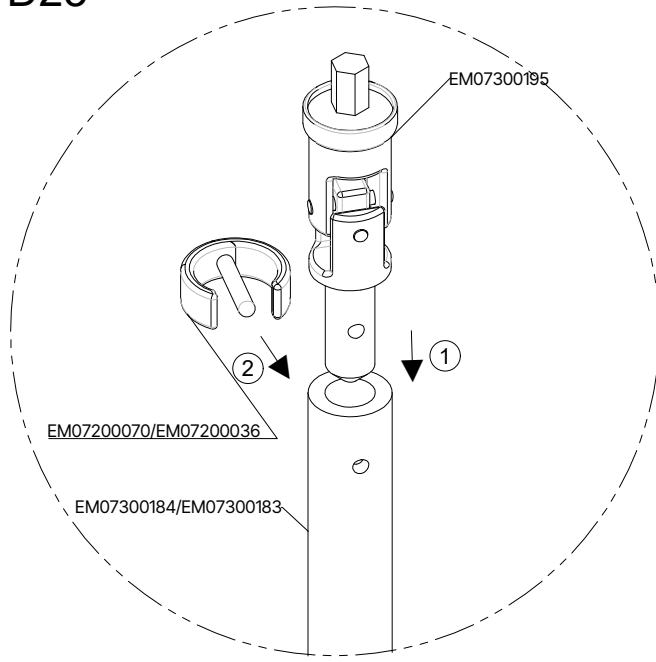


The front cover profile is installed and screwed as shown above.

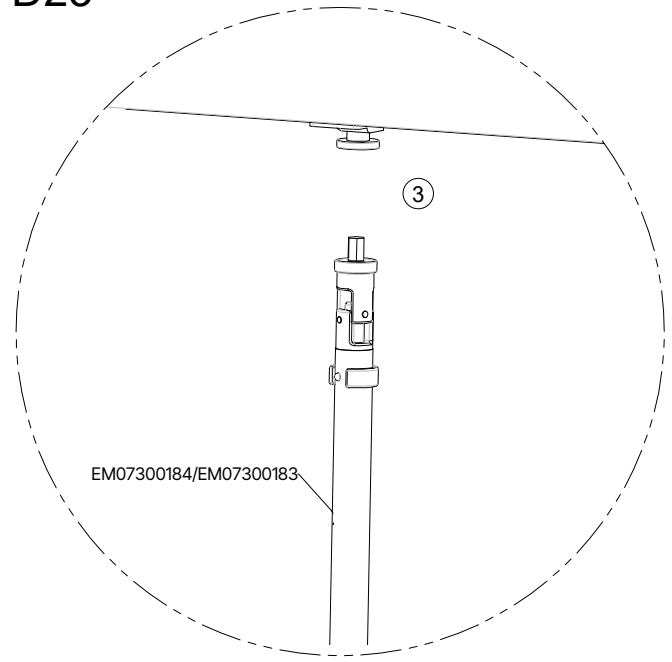


Corner covering plates are installed and screwed as above.

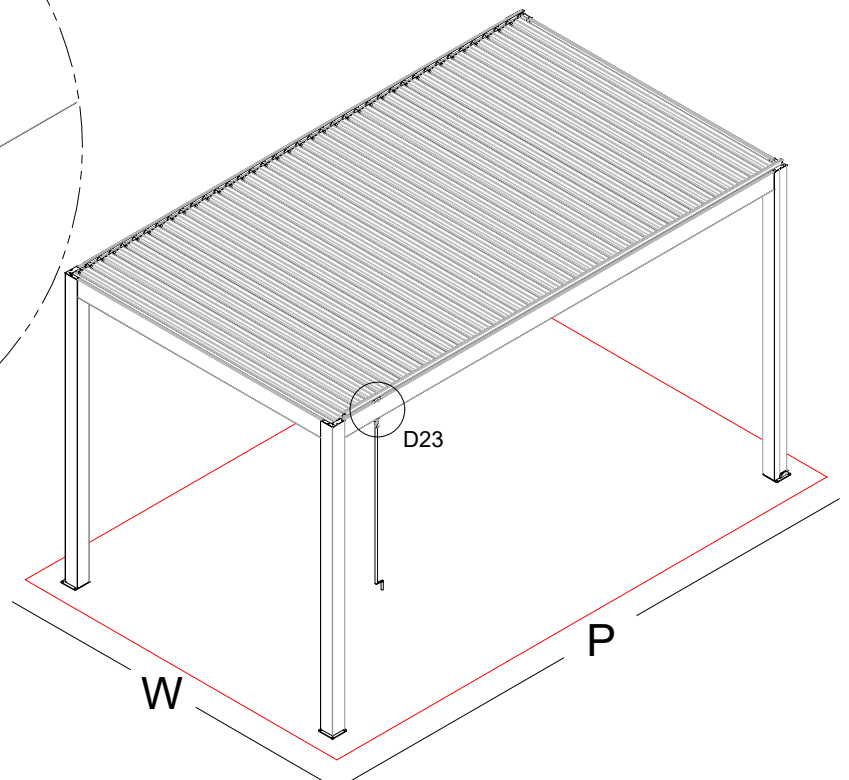
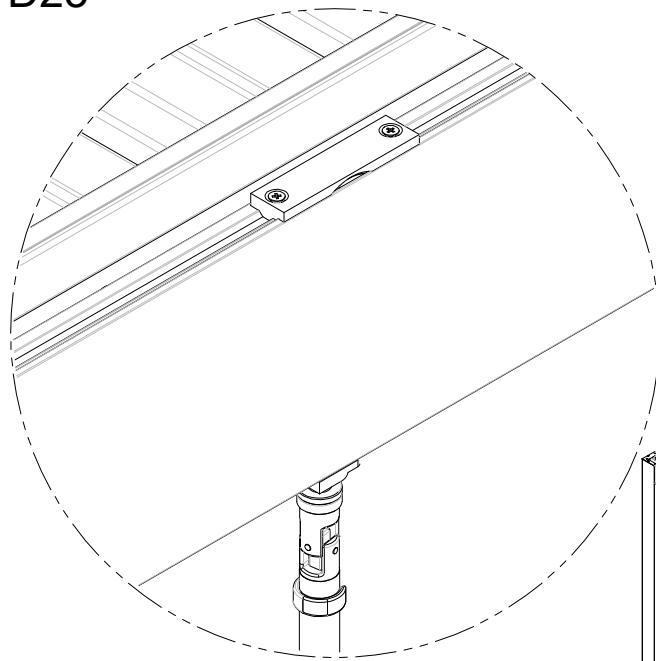
D23



D23



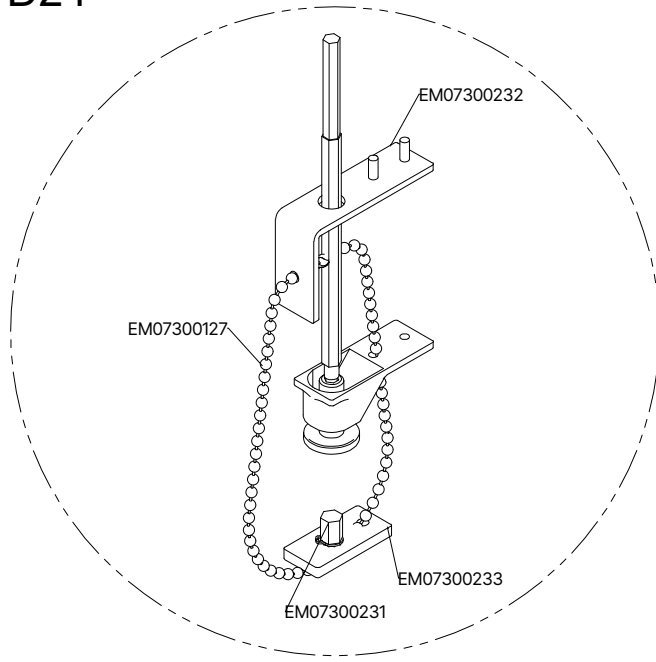
D23



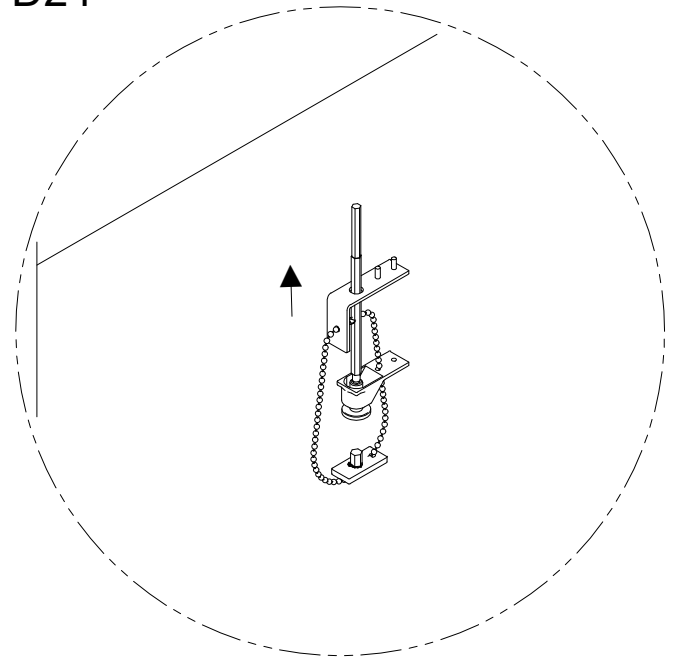
The accessory coded EM07200069/EM07200038 is threaded onto the arm coded EM07300183/EM07300184. They are fixed to each other with the help of pin coded EM07200036/EM07200070. It is attached to the previously installed connection bracket with the help of a magnet.

Optional Locking Section

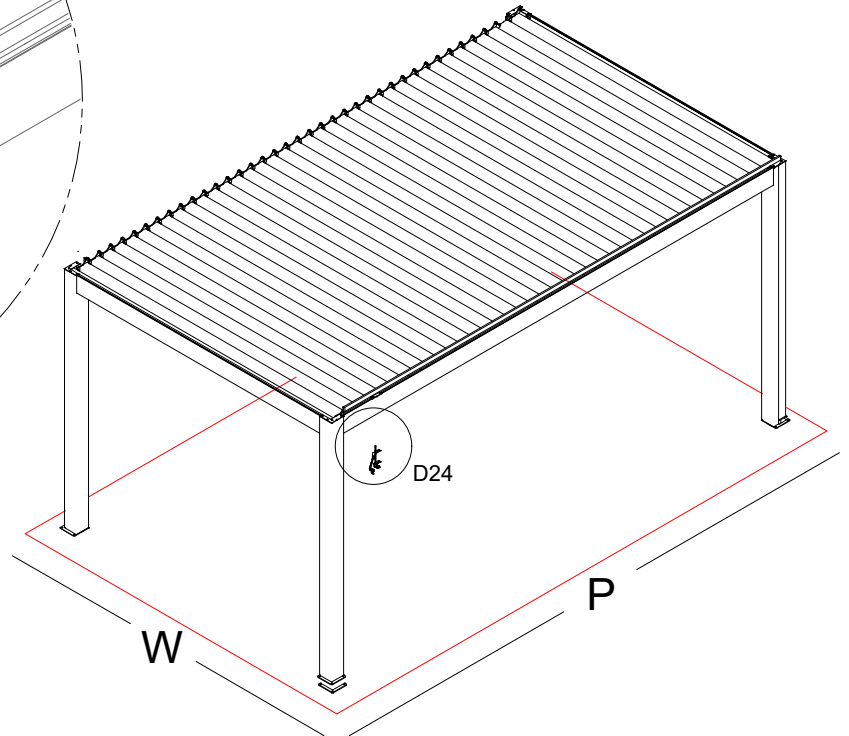
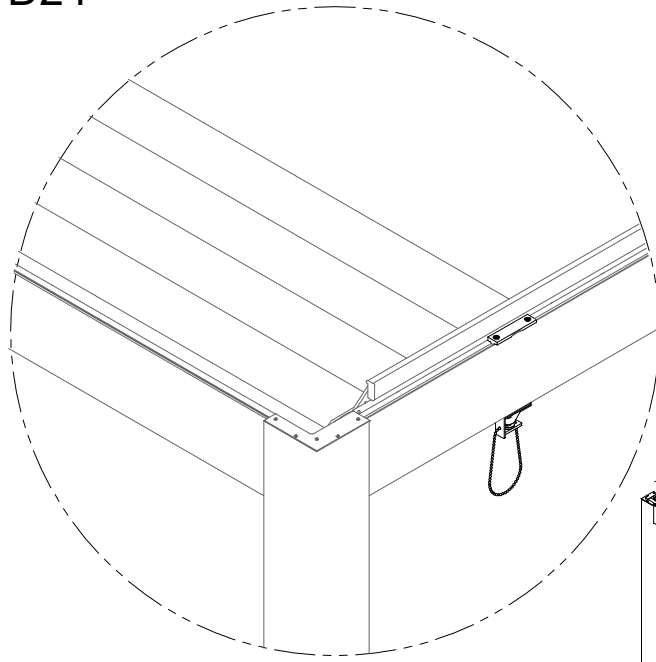
D24



D24



D24



The parts are fixed to each other using screws and are mounted to the system as shown in the detail.

