

INSTALLATION CATALOGUE

FREE-STANDING

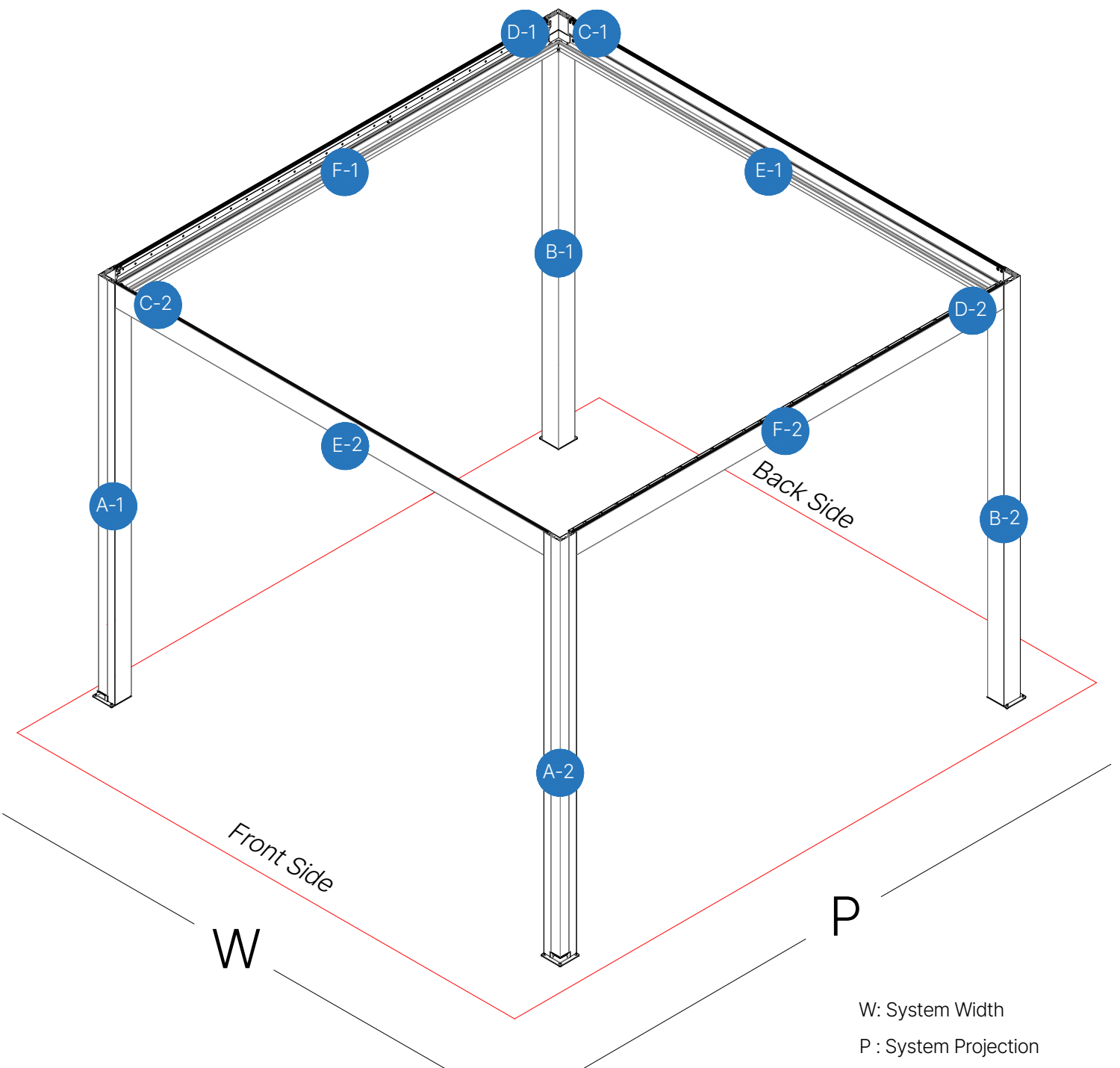
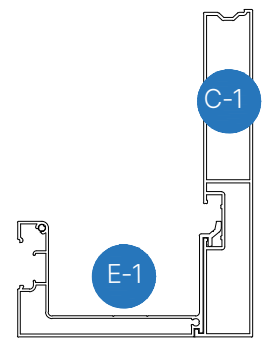
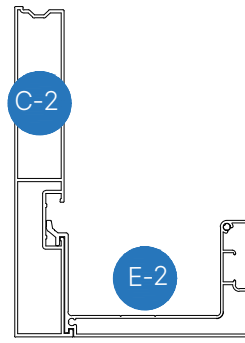
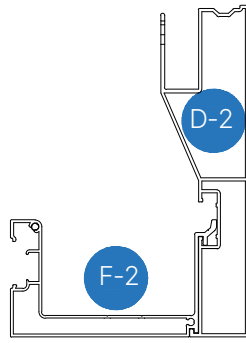
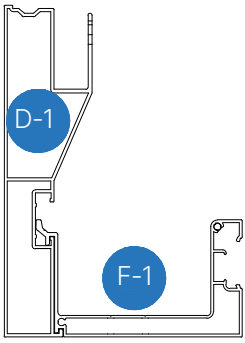
CM-1.3.2502



PERGOLA MEZZO

EN

10'x10' / 10'x13' / 10'x16' System



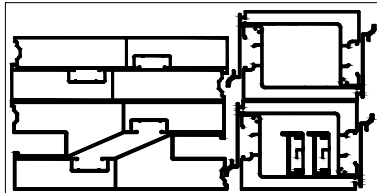
W: System Width
P: System Projection

Contents

Box Contents for 10'x10' System.....	1
Box Contents for 10'x13' System.....	2
Box Contents for 10'x16' System.....	3
Necessary Tools for The Ecoclimatic System	4
Ecoclimatic Profiles For First Step	5
Ecoclimatic Accessories For First Step.....	6-8
Ecoclimatic First Step : Making Frame	9-20
Ecoclimatic Profiles For Second Step	21
Ecoclimatic Accessories For Second Step.....	22-24
Ecoclimatic Second Step : Preparing Blades	25
Ecoclimatic Second Step : Preparing Motor Blades	26
Ecoclimatic Second Step : Mounting Roof	27-38
Led Installation	39-42
Electrical Wiring	43-45

Box Contents for 10'x10' System

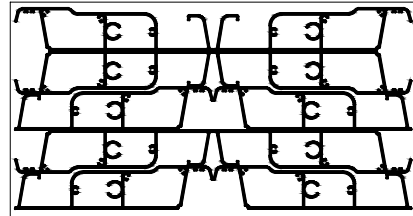
F1



M7034 (C1-C2) x2
 M7033 (E1-E2-F1-F2) x4
 M7035 (D1-D2) x2
 M7031 x2
 M7201 x2

1x

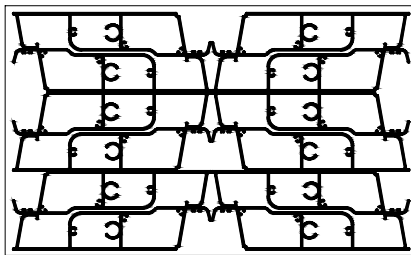
L1



M7032 x10

1x

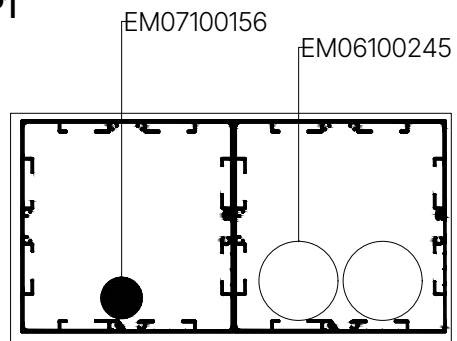
L2



M7032 x12

1x

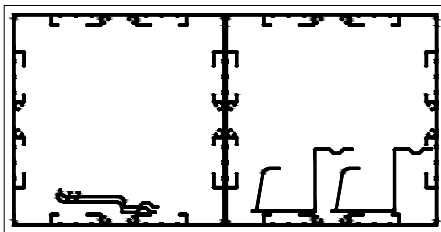
P1



M7037 (A1-A2) x2
 M7028 (A1-A2) x2
 EM07100156 x1
 EM06100245 x2

1x

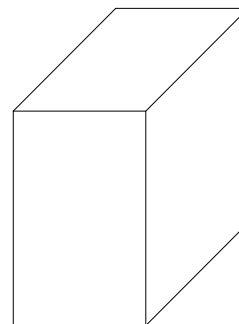
P2



M7137 (B1-B2) x2
 M7029 x2
 M7030 x2

1x

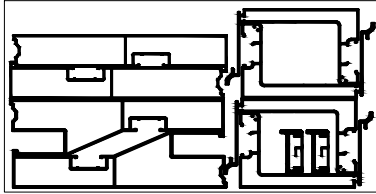
A1



1x

Box Contents for 10'x13' System

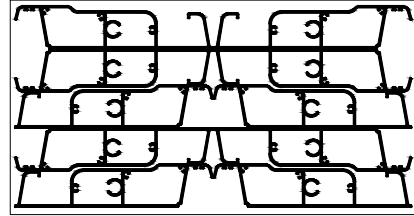
F2



M7034 (C1-C2) x2
 M7033 (E1-E2-F1-F2) x4
 M7035 (D1-D2) x2
 M7031 x2
 M7201 x2

1x

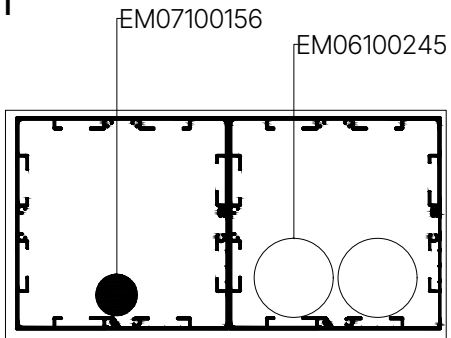
L1



M7032 x10

3x

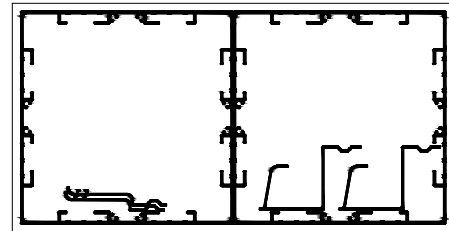
P1



M7037 (A1-A2) x2
 M7028 (A1-A2) x2
 EM07100156 x1
 EM06100245 x2

1x

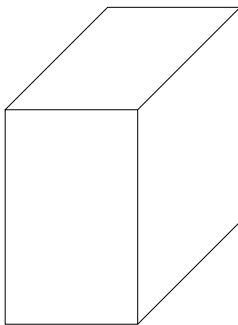
P2



M7137 (B1-B2) x2
 M7029 x2
 M7030 x2

1x

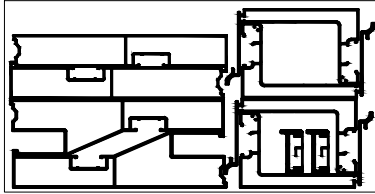
A2



1x

Box Contents for 10'x16' System

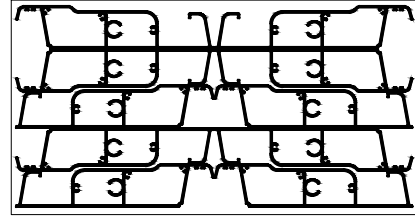
F8



M7034 (C1-C2) x2
 M7033 (E1-E2-F1-F2) x4
 M7035 (D1-D2) x2
 M7031 x2
 M7201 x2

1x

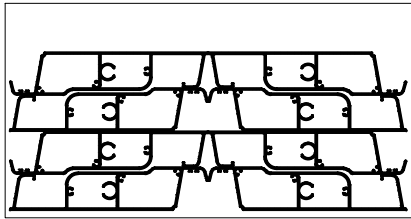
L1



M7032 x10

3x

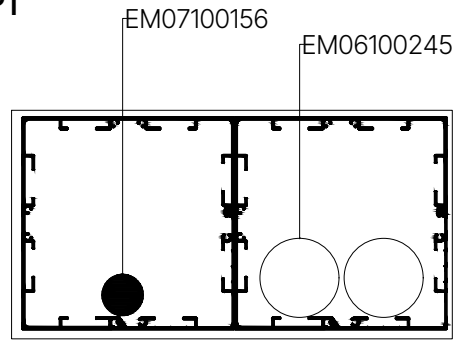
L5



M7032 x8

1x

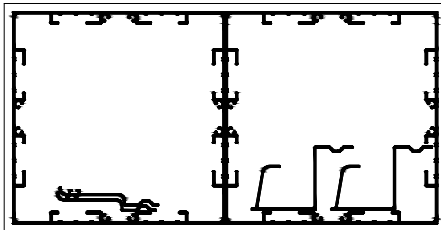
P1



M7037 (A1-A2) x2
 M7028 (A1-A2) x2
 EM07100156 x1
 EM06100245 x2

1x

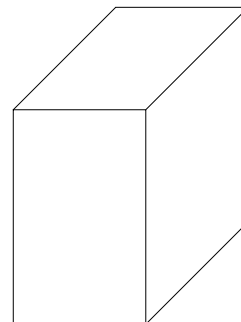
P2



M7137 (B1-B2) x2
 M7029 x2
 M7030 x2

1x

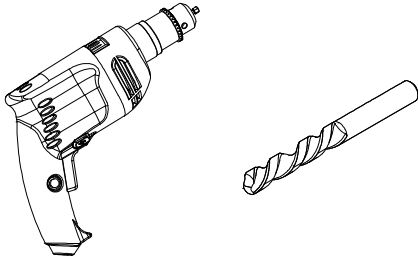
A6



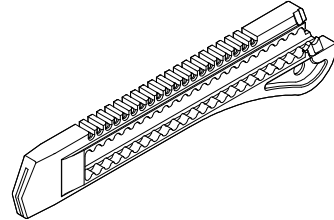
1x

Necessary Tools for The Ecoclimatic System

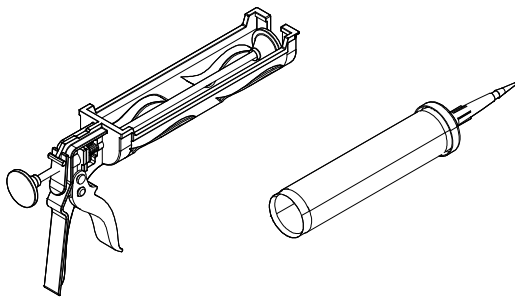
Cordless Drill & Drilling Bit (8 mm)



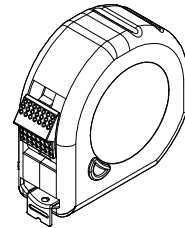
Carpet Knife



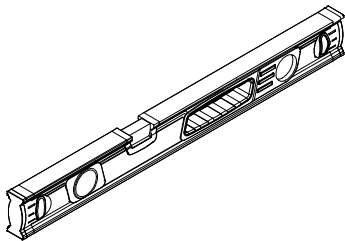
Silicon Gun & Silicon



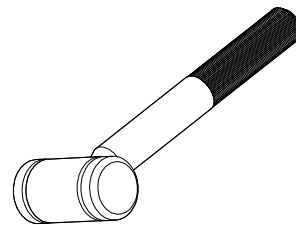
Tape Measure



Water Level

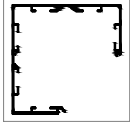


Knob

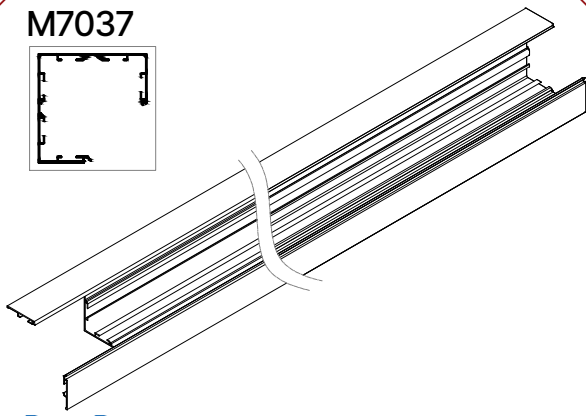


Ecoclimatic Profiles For First Step

M7037

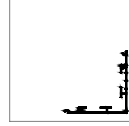


A-1 A-2

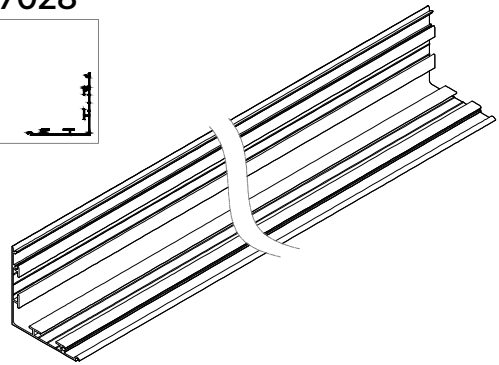


For 3x3 meters systems : 2 pcs
For 3x4 meters systems : 2 pcs
For 3x5 meters systems : 2 pcs

M7028

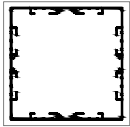


A-1 A-2

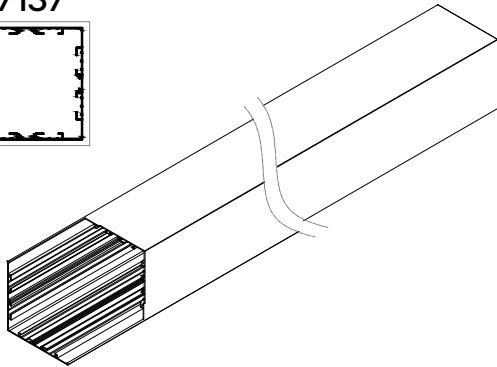


For 3x3 meters systems : 2 pcs
For 3x4 meters systems : 2 pcs
For 3x5 meters systems : 2 pcs

M7137



B-1 B-2

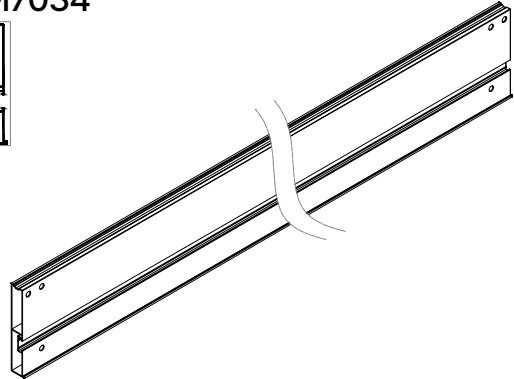


For 3x3 meters systems : 2 pcs
For 3x4 meters systems : 2 pcs
For 3x5 meters systems : 2 pcs

M7034

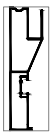


C-1 C-2

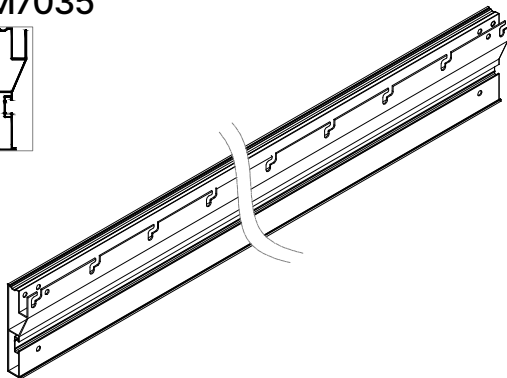


For 3x3 meters systems : 2 pcs
For 3x4 meters systems : 2 pcs
For 3x5 meters systems : 2 pcs

M7035



D-1 D-2

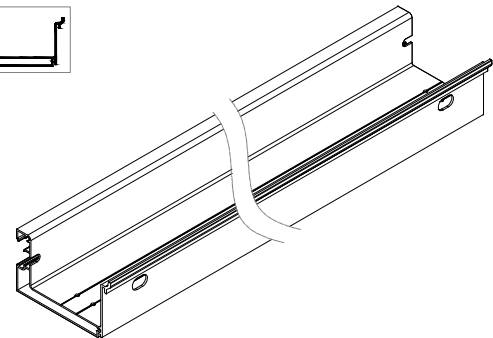


For 3x3 meters systems : 2 pcs
For 3x4 meters systems : 2 pcs
For 3x5 meters systems : 2 pcs

M7033



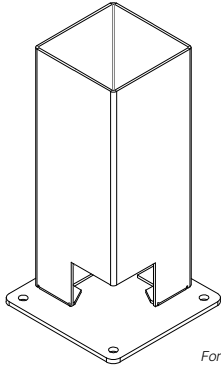
E-1 E-2 F-1 F-2



For 3x3 meters systems : 4 pcs
For 3x4 meters systems : 4 pcs
For 3x5 meters systems : 4 pcs

Ecoclimatic Accessories For First Step

EM07100104

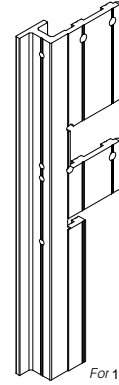


For 10'x10' systems : 4 pcs
 For 10'x13' systems : 4 pcs
 For 10'x16' systems : 4 pcs

EM07200027



This product has a direction

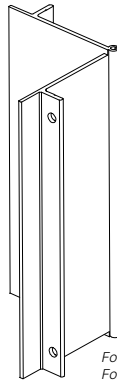


For 10'x10' systems : 8 pcs
 For 10'x13' systems : 8 pcs
 For 10'x16' systems : 8 pcs

EM07200028



This product has a direction

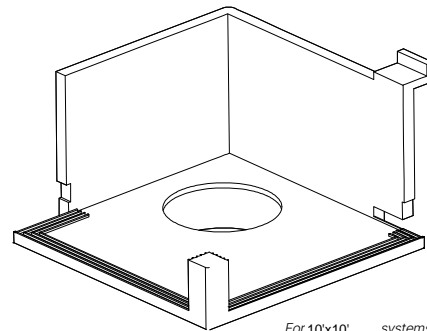


For 10'x10' systems : 4 pcs
 For 10'x13' systems : 4 pcs
 For 10'x16' systems : 4 pcs

EM06100186

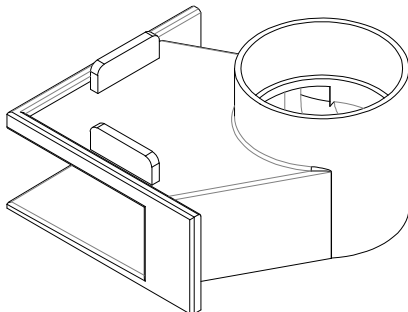


This product has a direction



For 10'x10' systems : 4 pcs
 For 10'x13' systems : 4 pcs
 For 10'x16' systems : 4 pcs

EM06100229 - (Black)
EM06100295 - (White)



For 10'x10' systems : 2 pcs
 For 10'x13' systems : 2 pcs
 For 10'x16' systems : 2 pcs

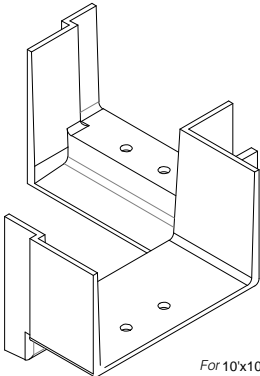
EM06100245



For 10'x10' systems : 2 pcs
 For 10'x13' systems : 2 pcs
 For 10'x16' systems : 2 pcs

Ecoclimatic Accessories For First Step

EM06100292

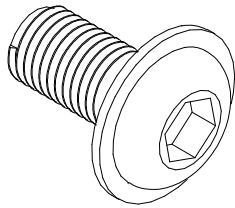


For 10'x10' systems : 4 pcs
For 10'x13' systems : 4 pcs
For 10'x16' systems : 4 pcs

Ecoclimatic Accessories For First Step

EM10200006

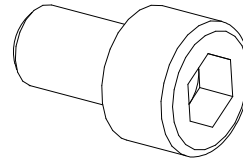
M8X12 Bolt



For 10'x10' systems : 24 pcs
 For 10'x13' systems : 24 pcs
 For 10'x16' systems : 24 pcs

EM10200025

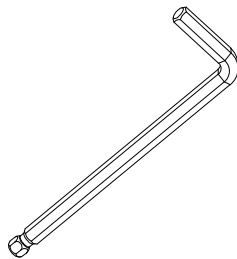
M6X12 Imbus



For 10'x10' systems : 16 pcs
 For 10'x13' systems : 16 pcs
 For 10'x16' systems : 16 pcs

Allen Key -

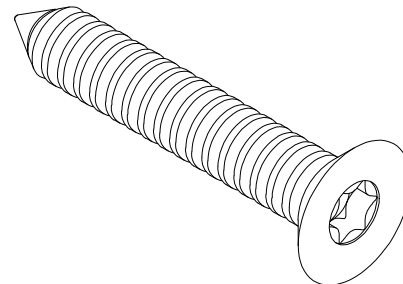
EM13000062 & EM13000063



For 10'x10' systems : 1 pcs
 For 10'x13' systems : 1 pcs
 For 10'x16' systems : 1 pcs

EM10100005

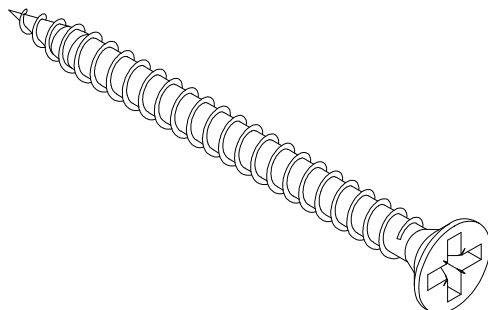
7,5x100 mm Buldex Screw (0.3"x3.94")



For 10'x10' systems : 12 pcs
 For 10'x13' systems : 12 pcs
 For 10'x16' systems : 12 pcs

EM10100030

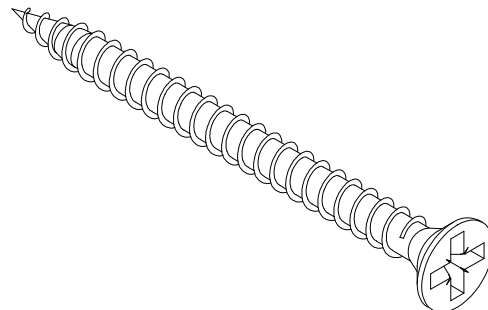
3,9x25mm Screw (0.15"x0.98")



For 10'x10' systems : 16 pcs
 For 10'x13' systems : 16 pcs
 For 10'x16' systems : 16 pcs

EM10100017

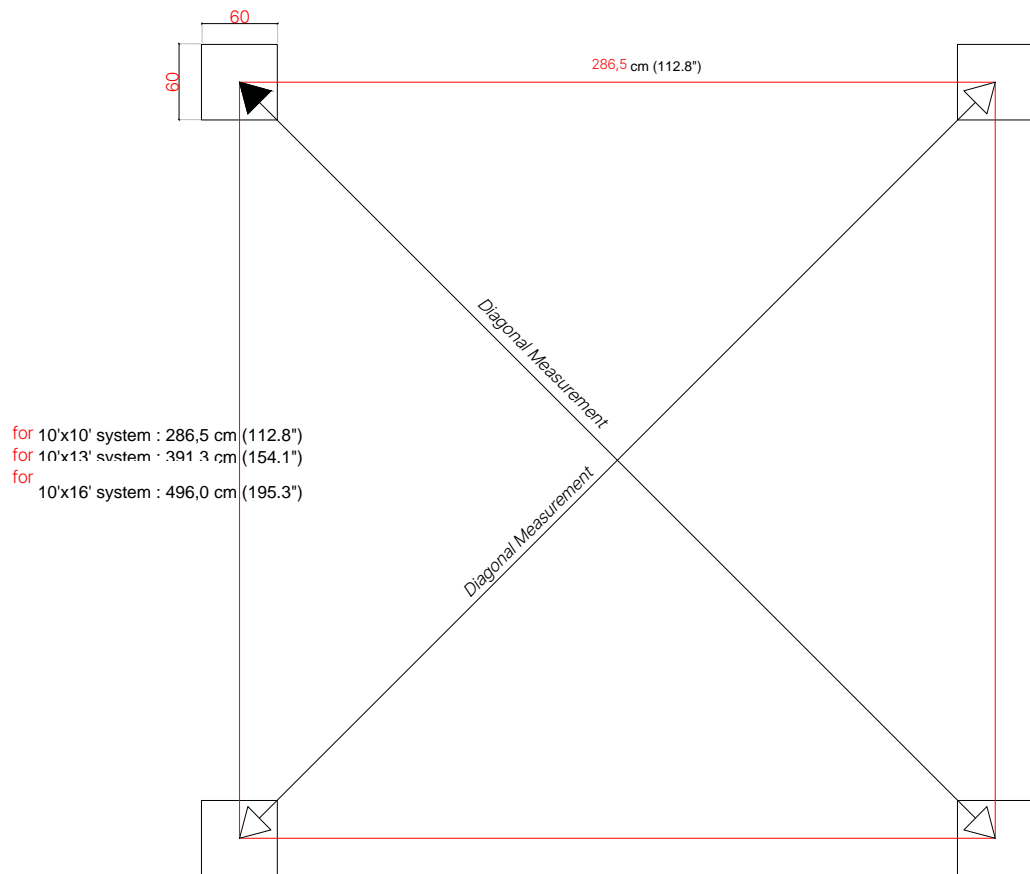
3,9x38mm Screw (0.15"x1.5")



For 10'x10' systems : 16 pcs
 For 10'x13' systems : 16 pcs
 For 10'x16' systems : 16 pcs

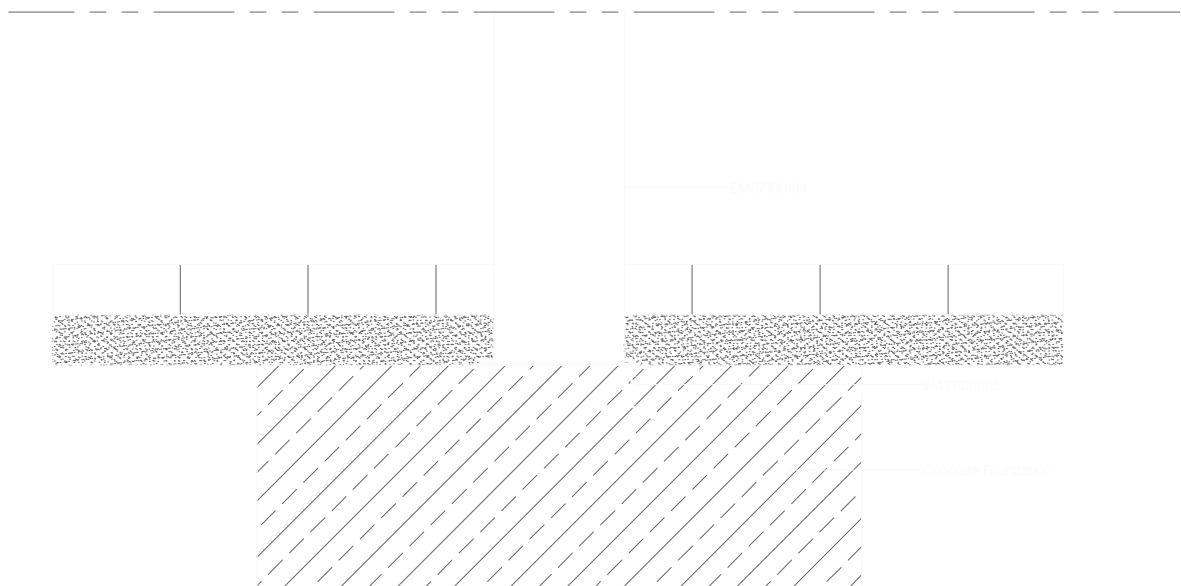
*The ground where the system will be installed needs to be flat.

*The locations where the pillars of the system will be positioned need to have reinforced ground.



If your system is 10'x10',
 If your system is 10'x13',
 If your system is 10'x16',

then the diagonal measurement should be 405.1 cm (159.5").
 then the diagonal measurement should be 484.9 cm (190.9").
 then the diagonal measurement should be 572.8 cm (225.5").



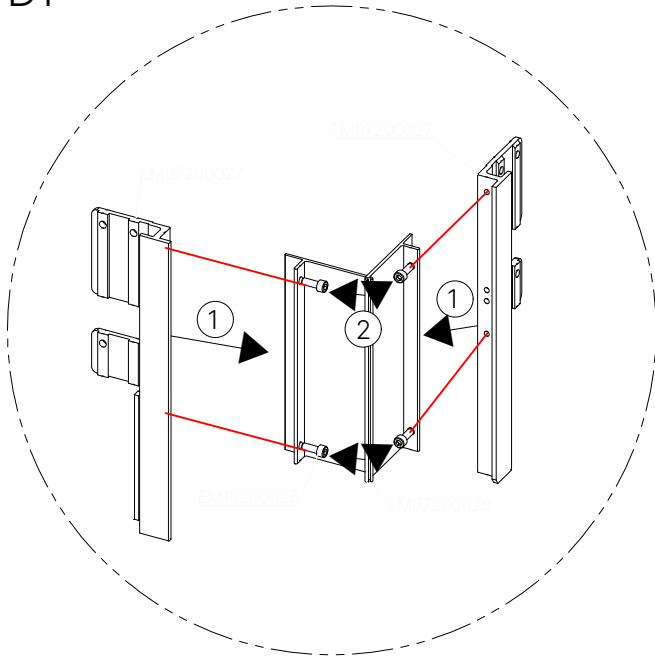
Section Detail

To ensure maximum durability of your pergola against environmental conditions, we recommend reinforcing the surface where the structure will be installed. In this regard, it is advisable to create reinforced point foundations measuring 60x60x80 cm and secure your pergola to these foundations using anchor bolts (EM10100005). Alternatively, you can also screw your pergola directly into patio surfaces such as stone or wooden decking

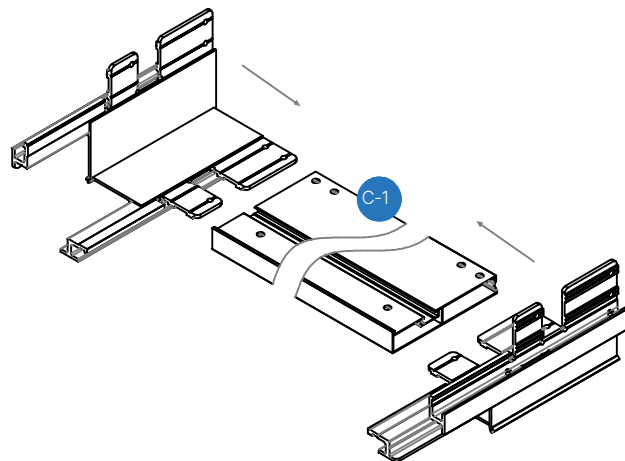
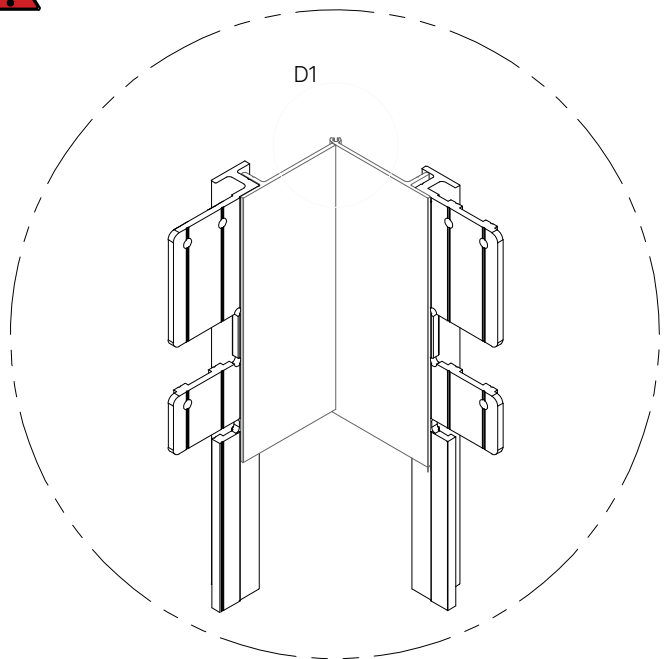
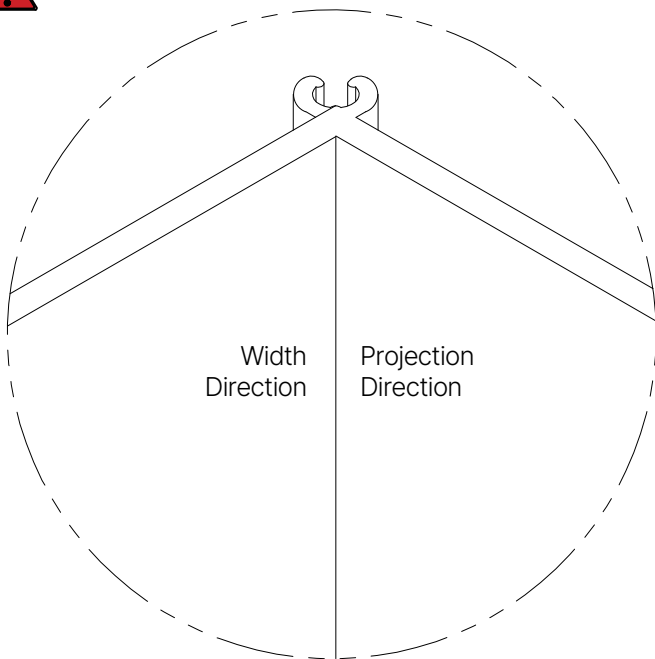
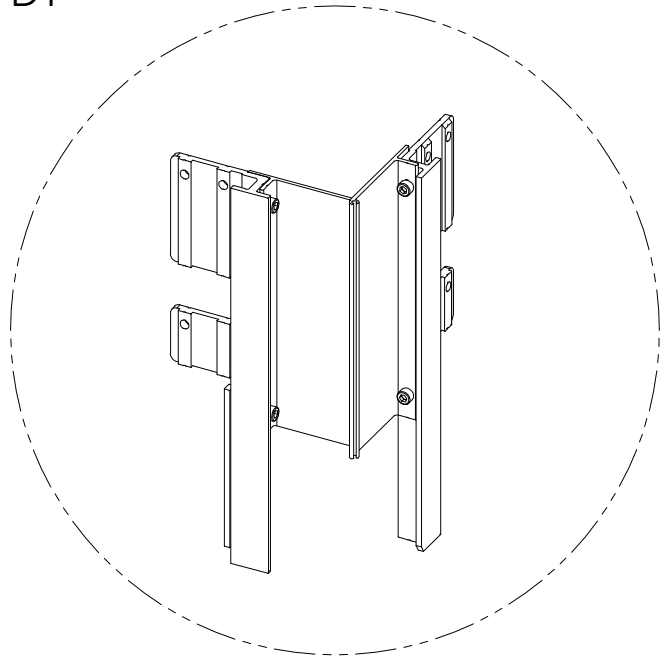
(Foundation size: 60x60x80 cm = 23.62" x 23.62" x 31.5".)

Ecoclimatic First Step : Making Frame

D1

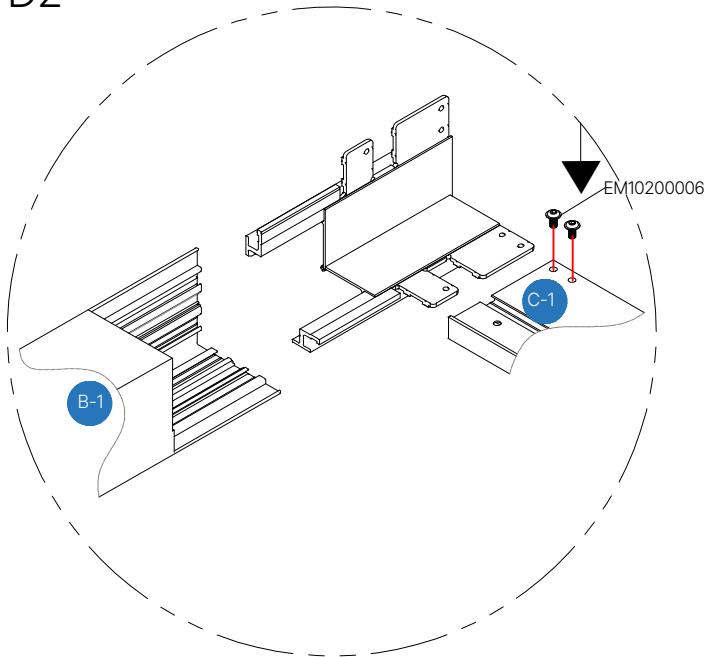


D1

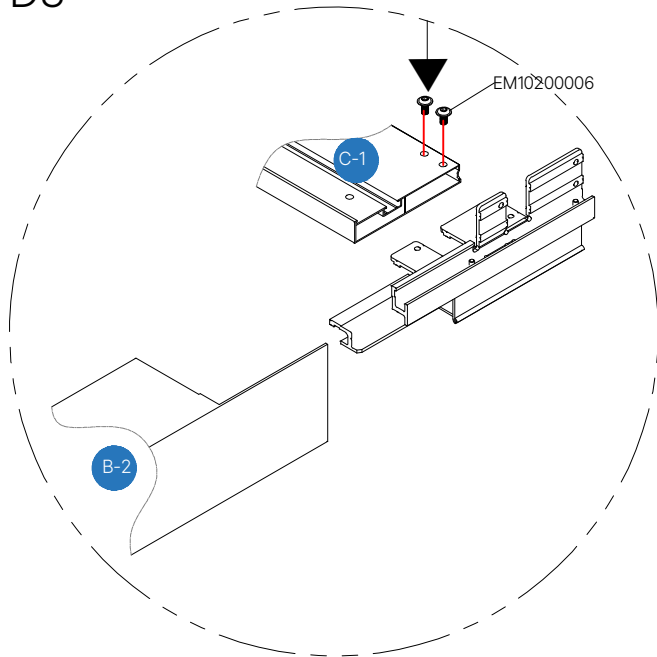


EM07200027 and EM07200028 are screwed together and 4 sets are prepared in this way. When the right and left corner connections are completed, they are passed to the C1 coded profile and fixed.

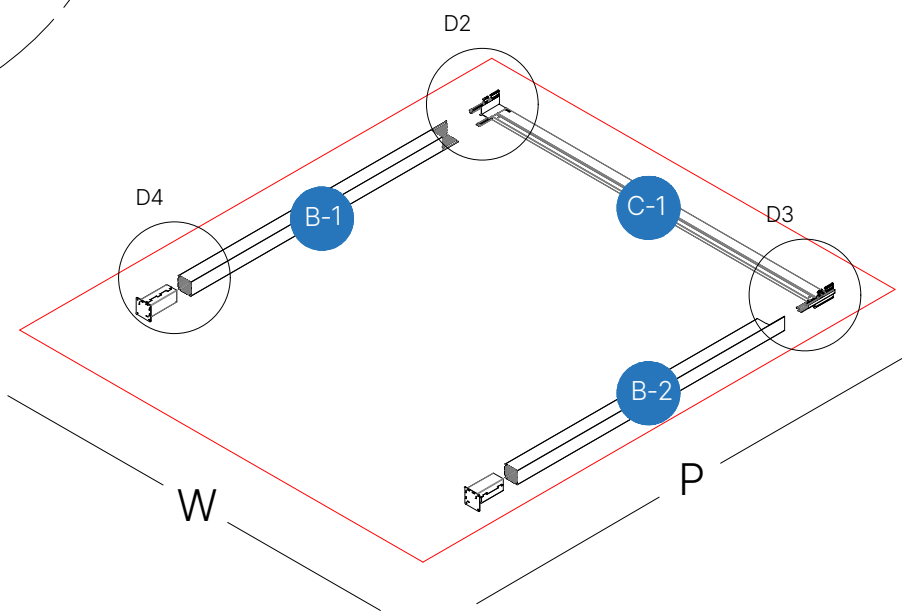
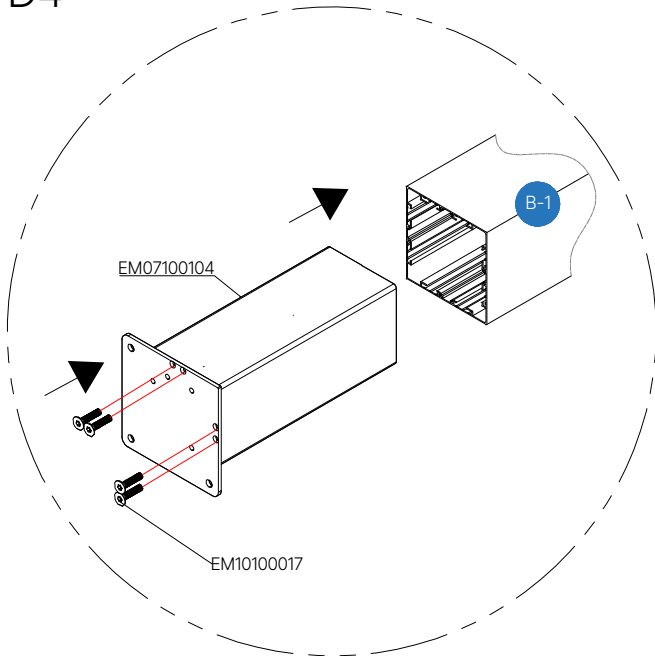
D2



D3

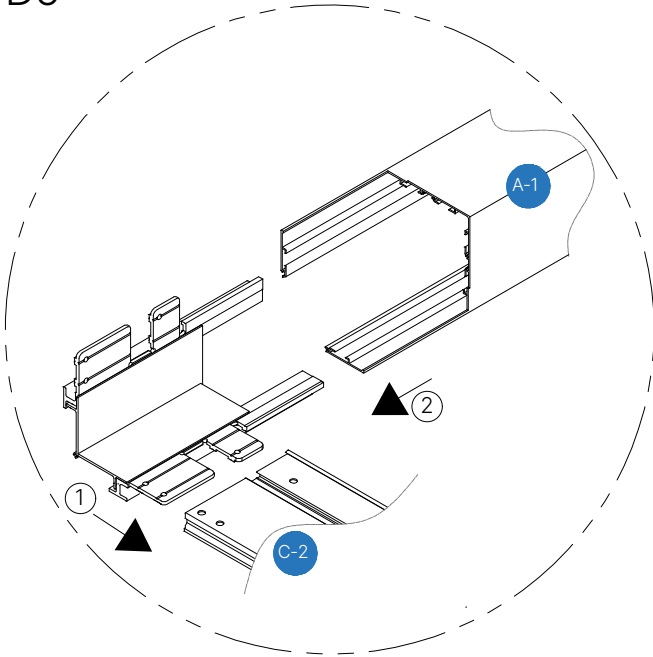


D4

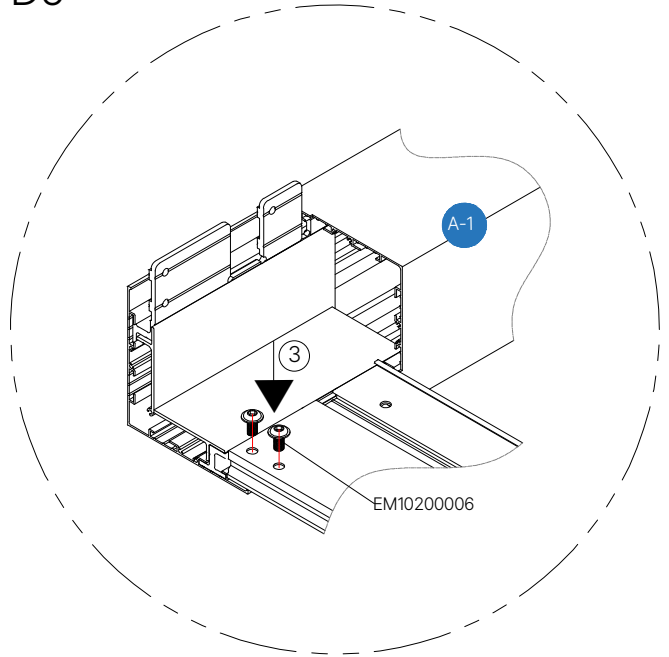


The C1 coded profile with corner connections fixed is inserted into the box pillars (M7137). It is screwed through the screw channels on the C1 profile as shown in the figure. The accessory code EM07100104 is mounted on the pillars.

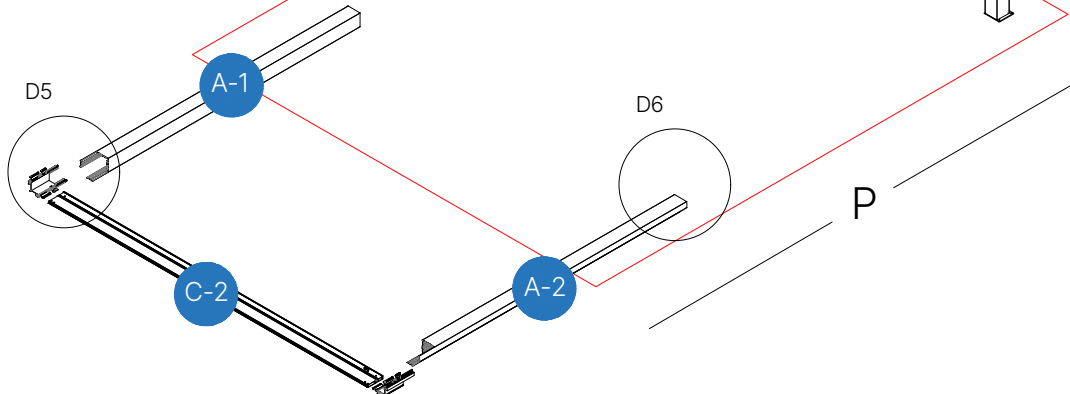
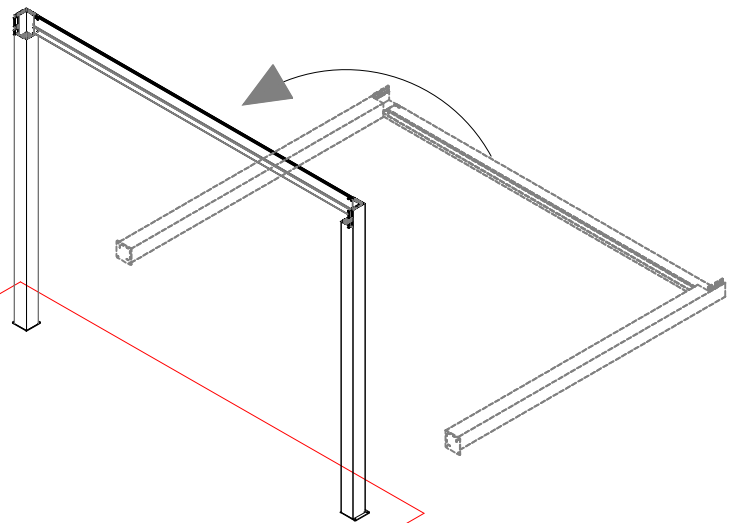
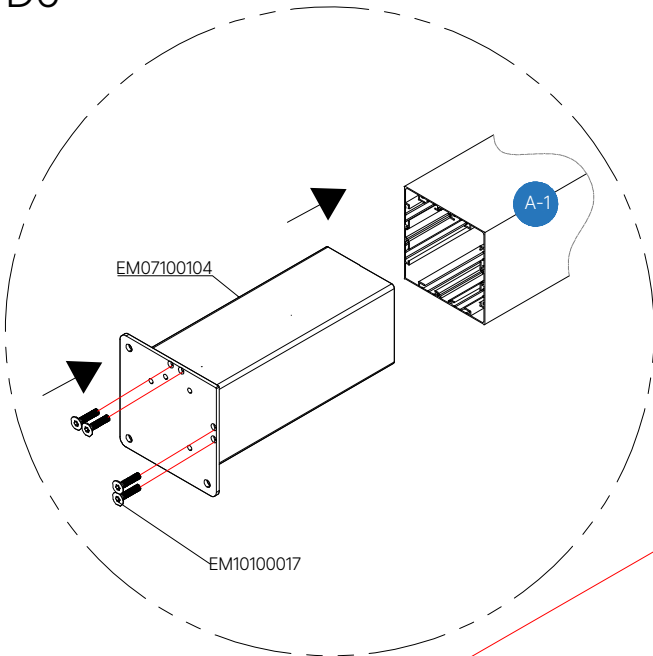
D5



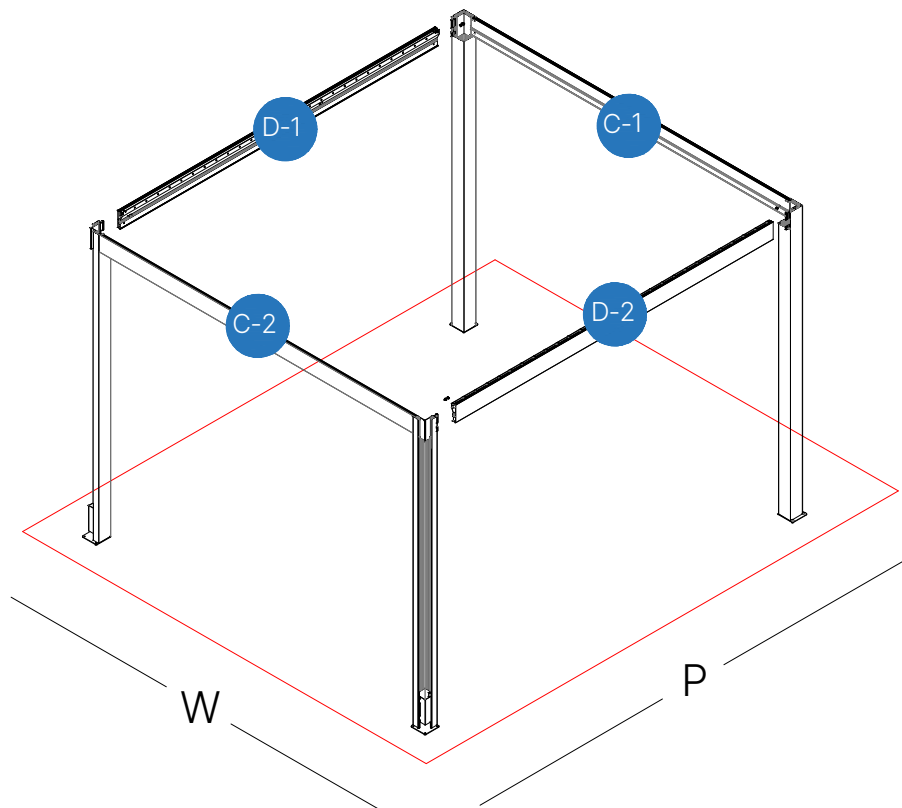
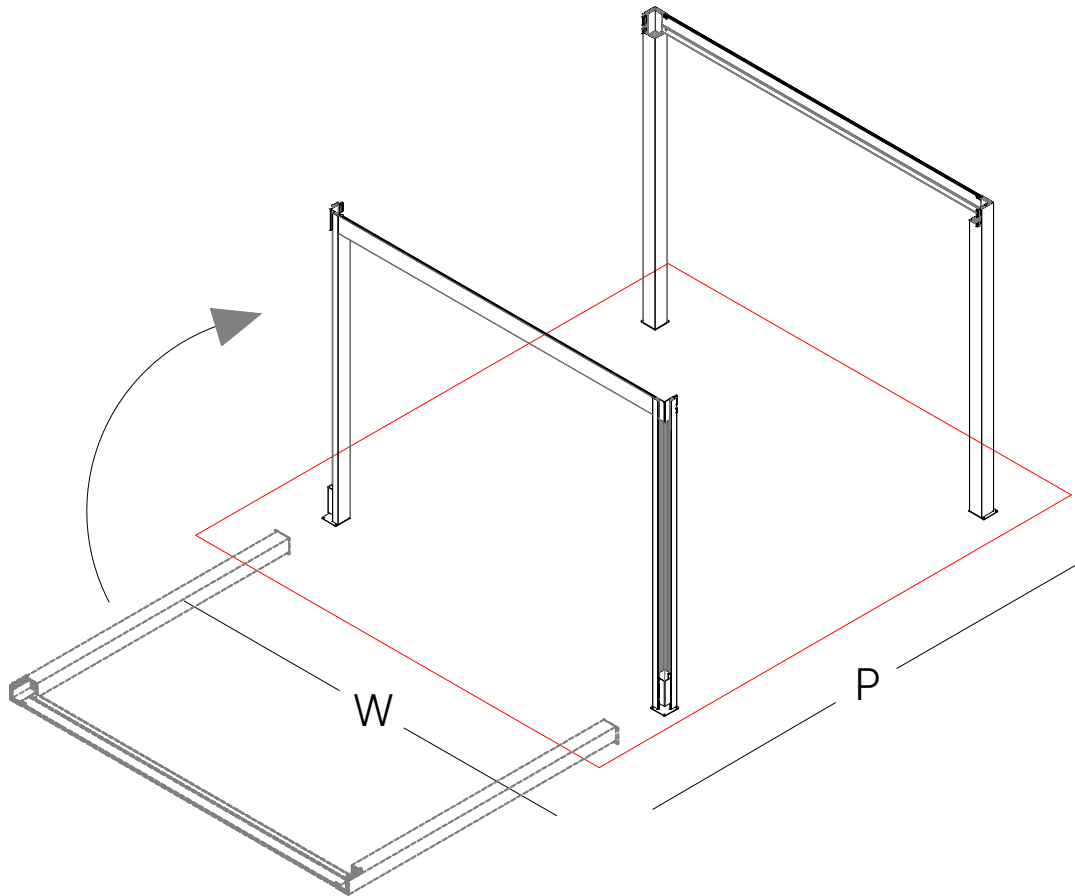
D5



D6

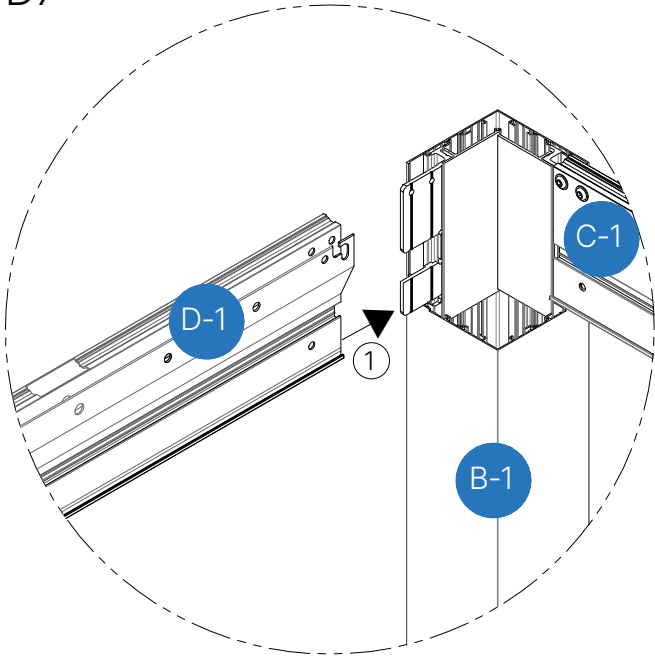


The C2 coded profile with corner connections fixed is inserted into the pillars (M7037). It is screwed through the screw channels on the C2 profile as shown in the figure. The accessory code EM07100104 is mounted on the pillars.

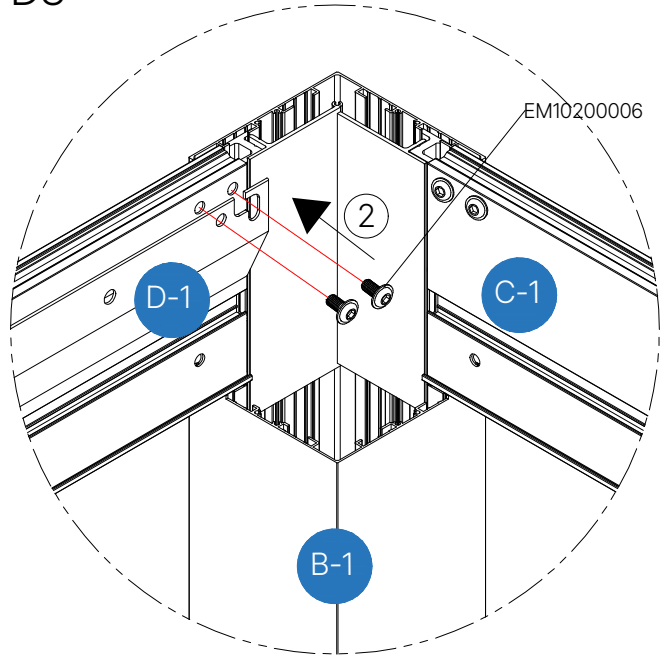


The C2 coded profile, which are shaped like a U on the ground, are lifted as shown in the figure.

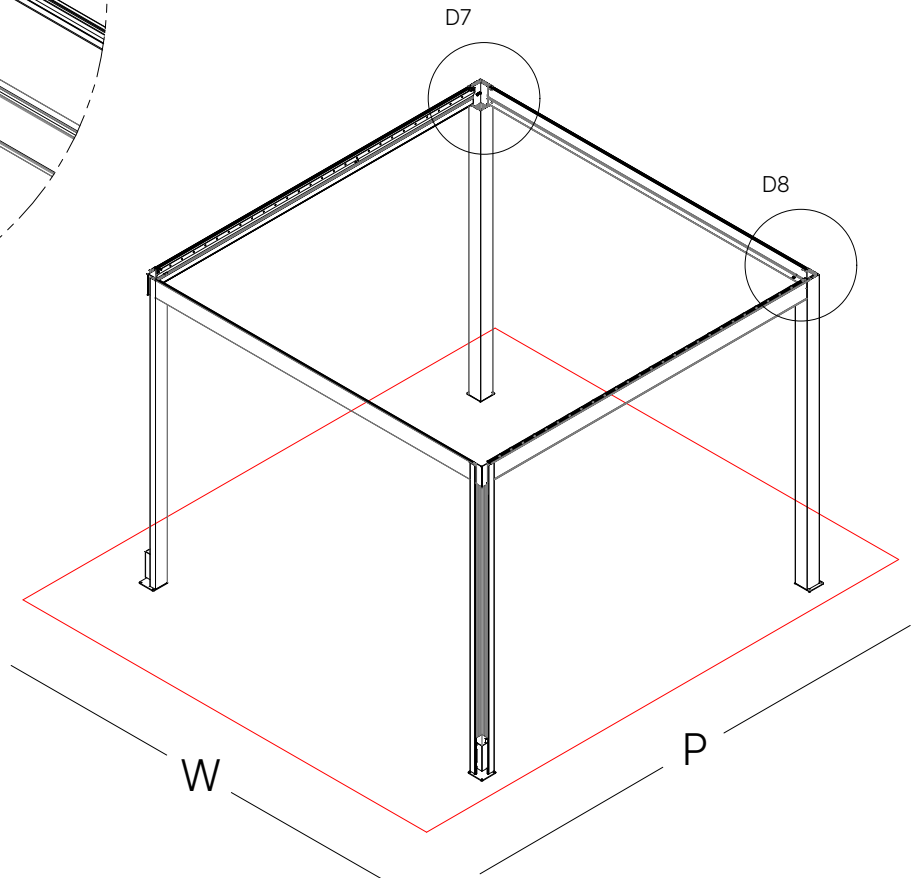
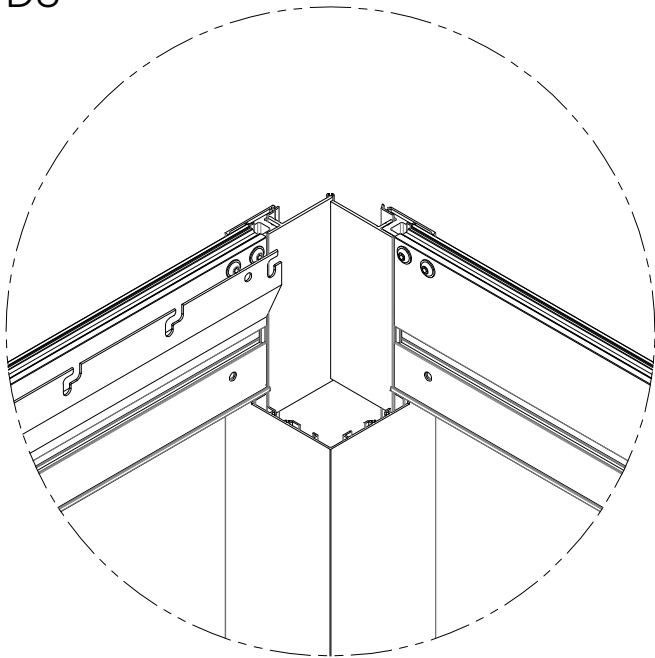
D7



D8

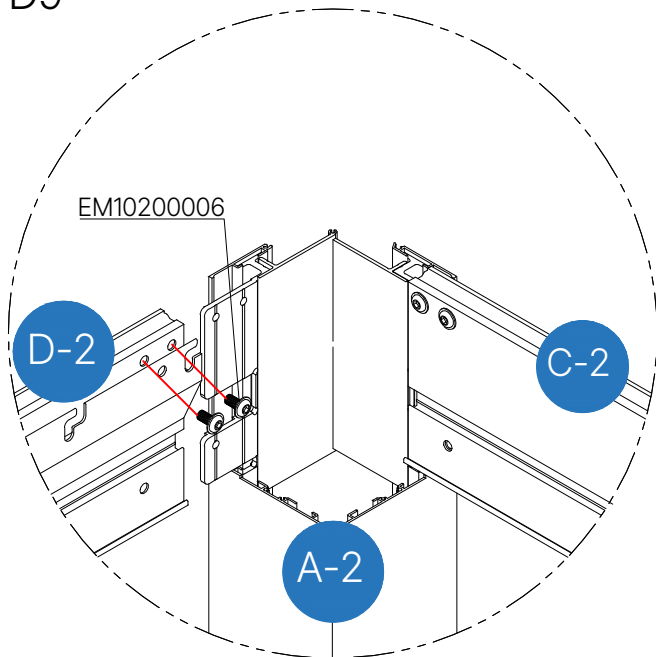


D8

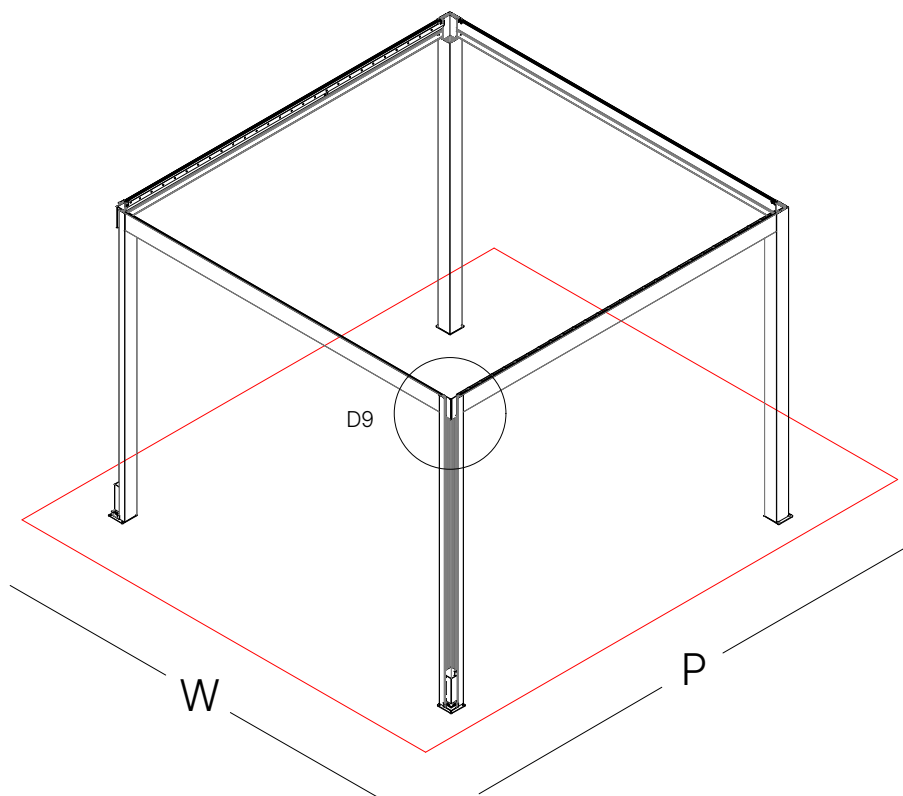
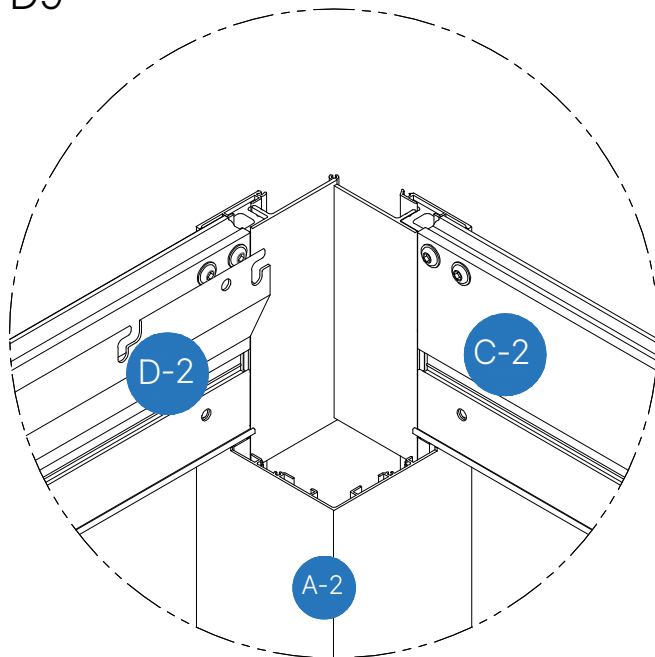


D1 coded profile is inserted to the corner connections as shown in the figure. It is fixed with corner connections by inserting screws with code EM10200006 from the screw channels on the right and left of the profile.

D9

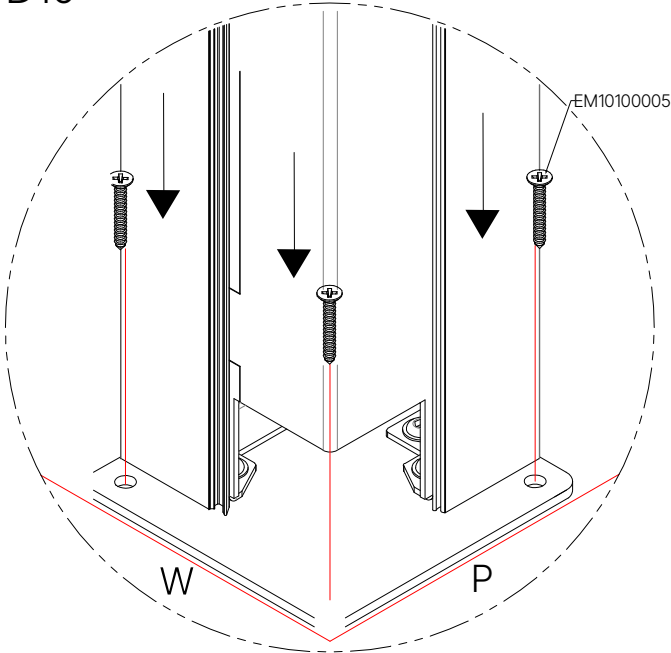


D9

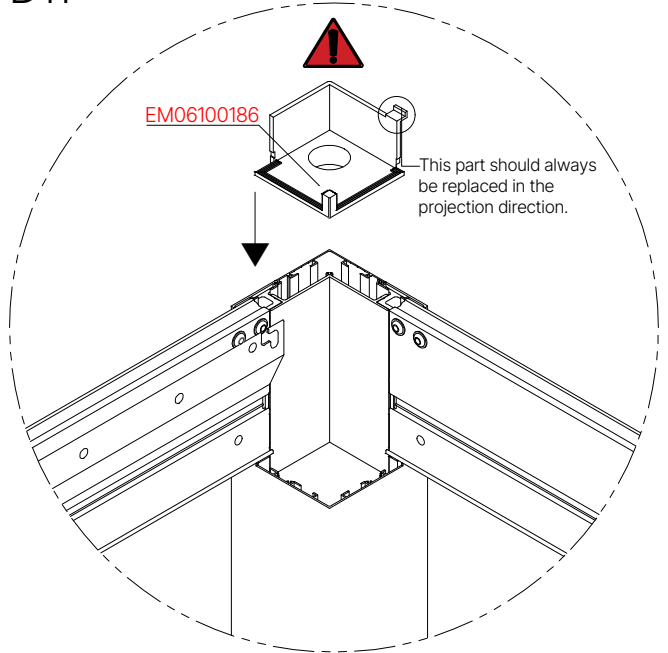


D2 coded profile is inserted to the corner connections as shown in the figure. The screws with code EM10200006 are inserted from the screw channels on the right and left of the profile and fixed with corner connections.

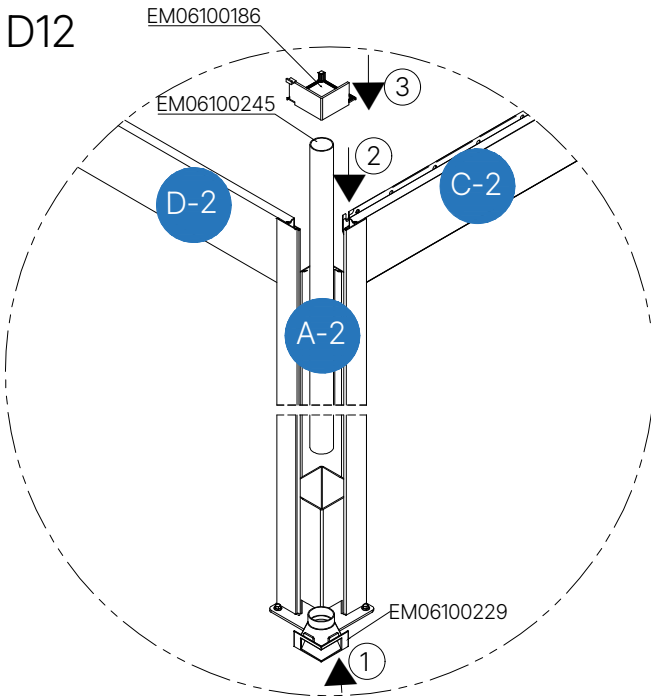
D10



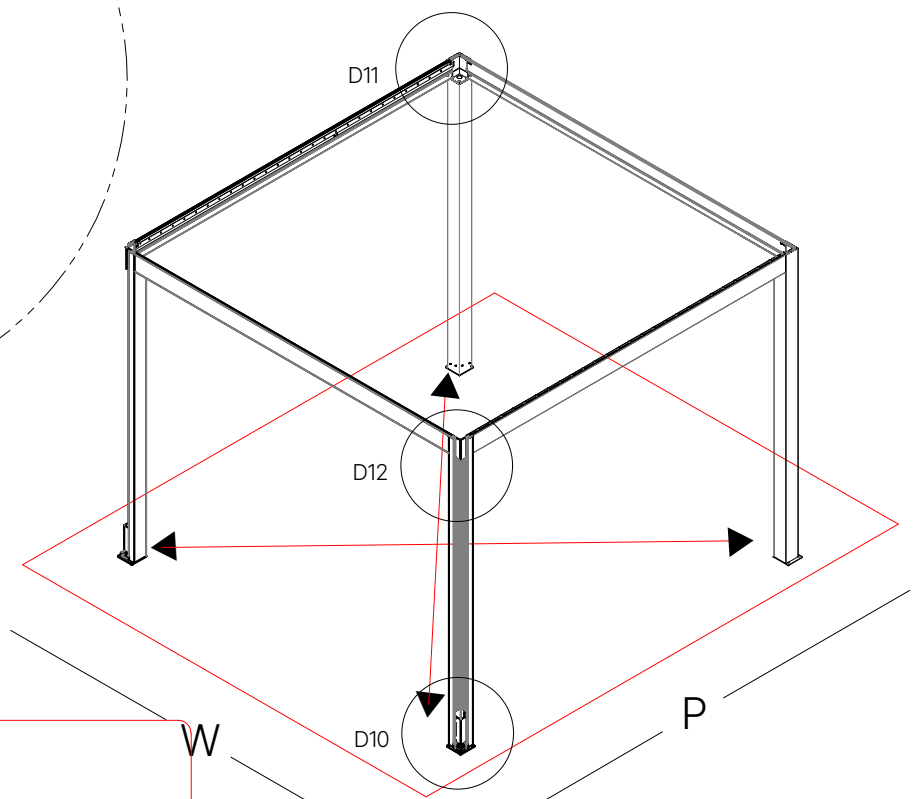
D11



D12



Attention
 Apply the cable detail only to the accessory on the motor side. Watch the video titled "Step 5" for a detailed view.

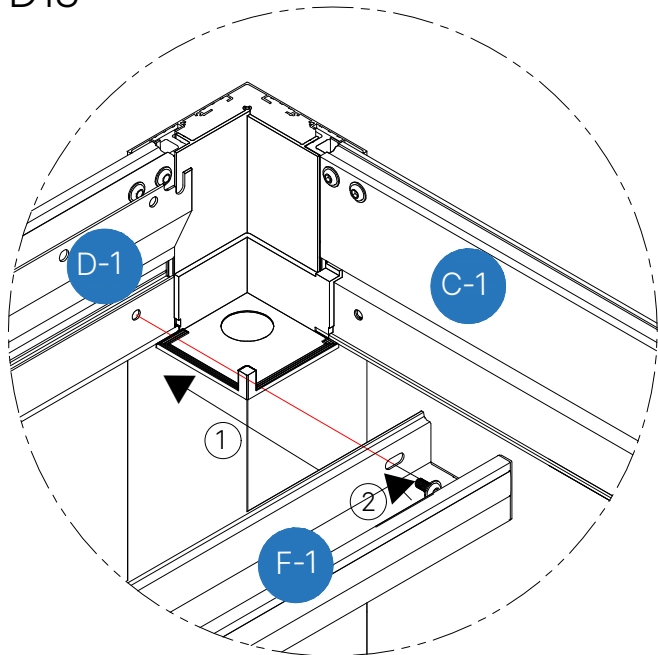


Warning Diagonal size should be checked.

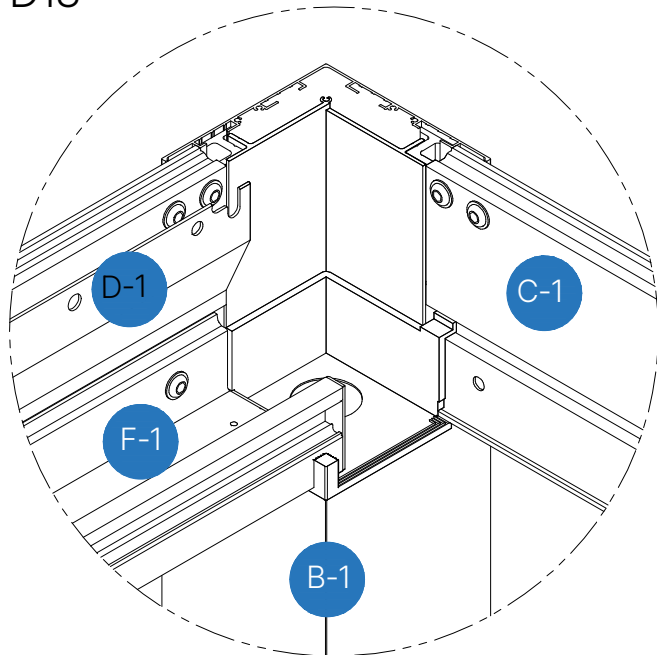
If your system is 10'x10',	then the diagonal measurement should be 386 cm (152.0").
If your system is 10'x13',	then the diagonal measurement should be 466 cm (183.5").
If your system is 10'x16',	then the diagonal measurement should be 554,5 cm (218.3").

As shown in the figure, the diagonal dimensions of the system are checked. If the measurement is not correct, it is brought to the required size and the system is fixed by using ground screws. Water drain plugs are attached to the pillars on the front of the system. The pipe is passed from above and attached to the plugs. Rubbers are attached to the four corners. The rubbers on the part where the pipe is located (the two rubbers on the front face of the system) should be cut with a carpet knife from the circular area.

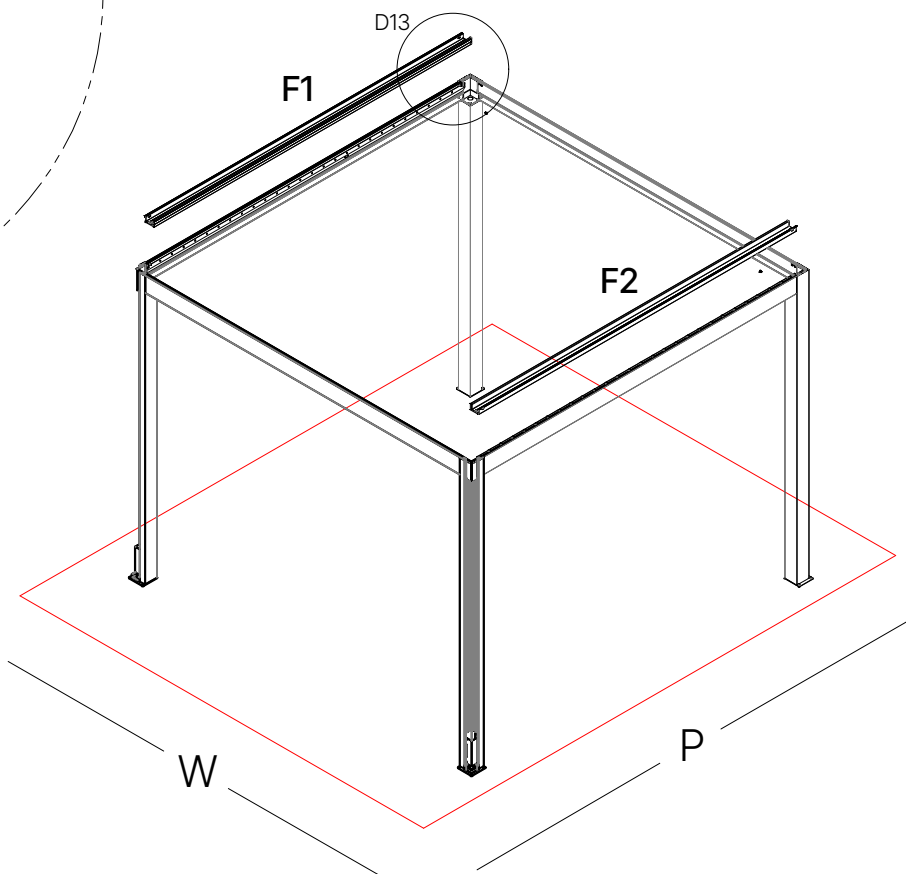
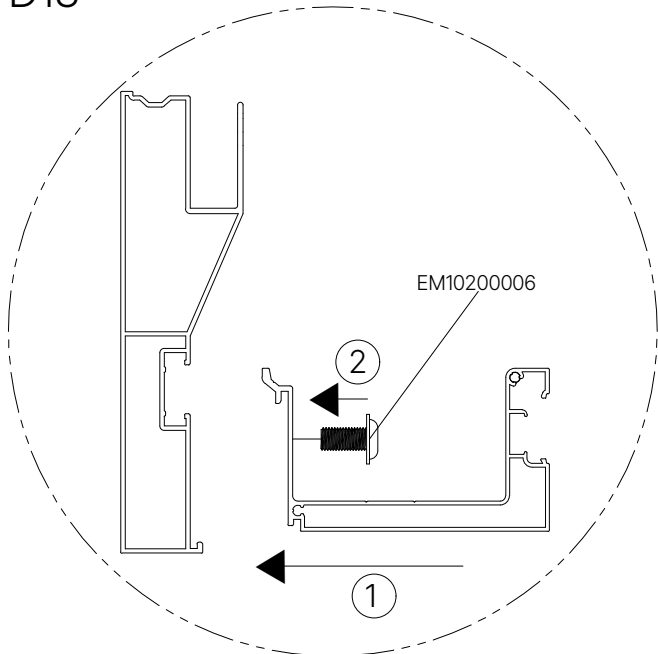
D13



D13

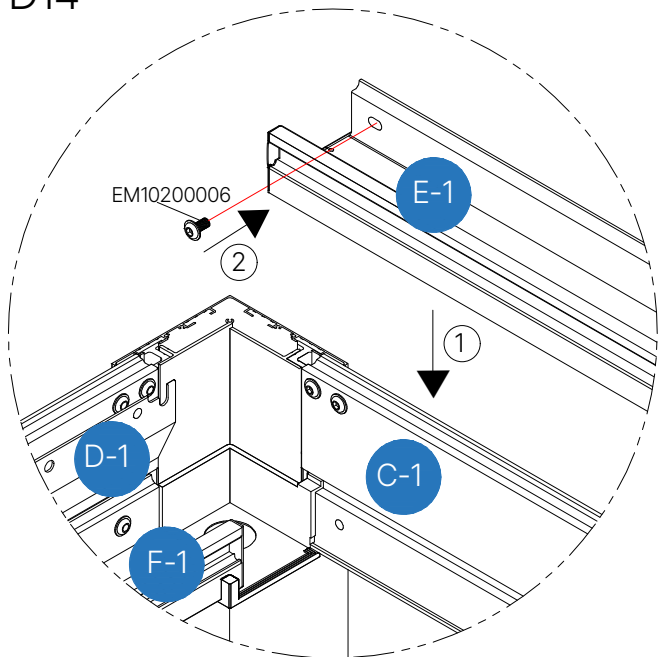


D13

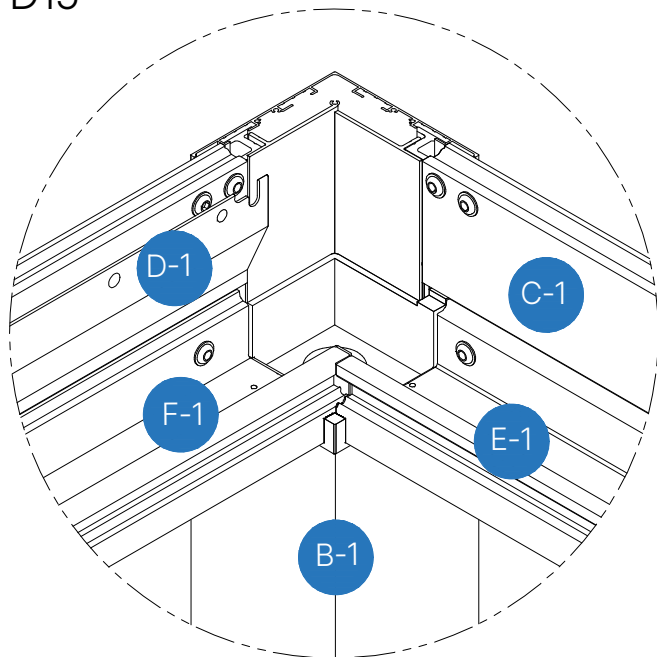


F1 and F2 gutters are installed in the P direction as shown above and fixed by screwing.

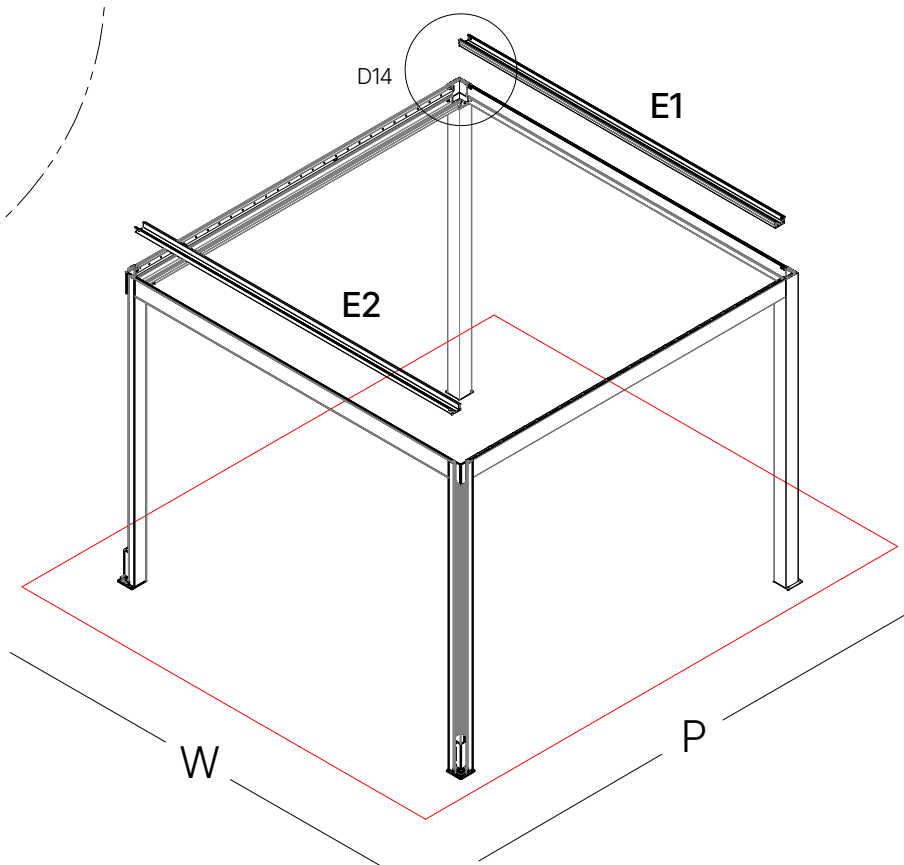
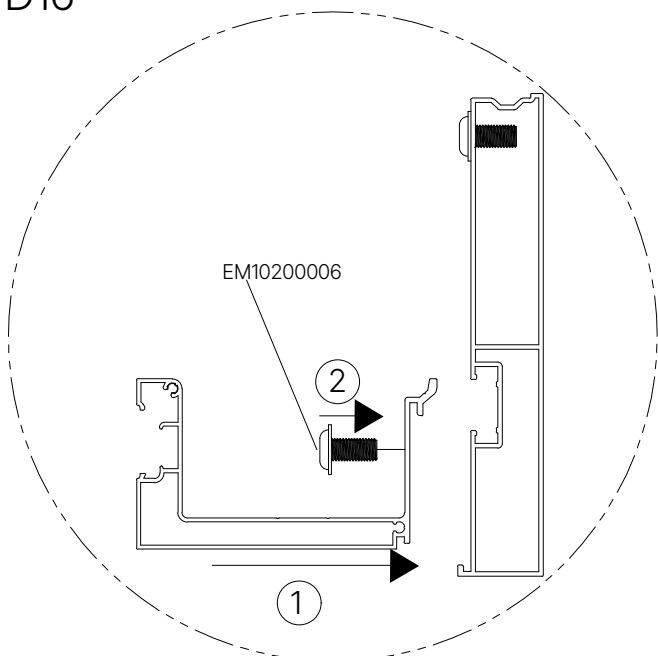
D14



D15

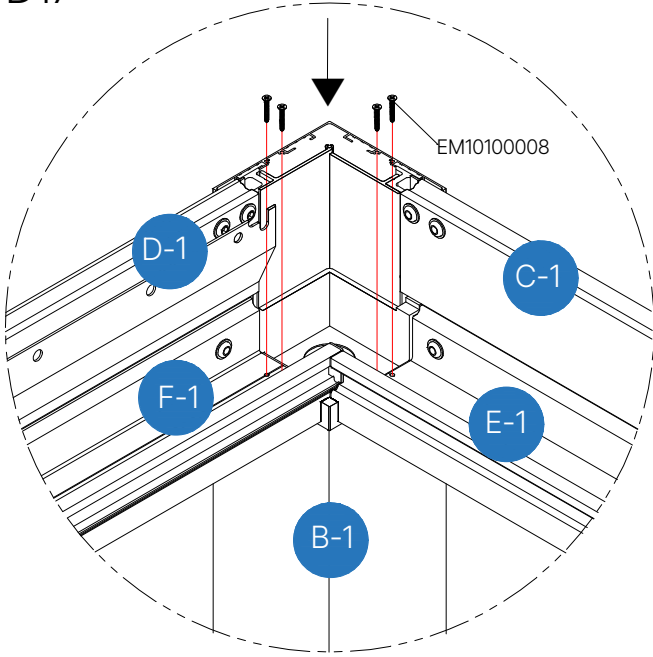


D16

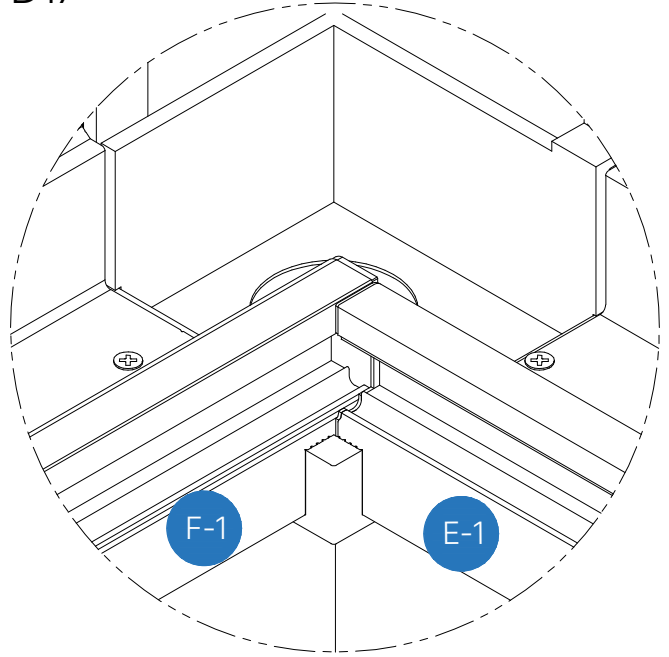


E1 and E2 gutters are installed in the W direction as shown above and fixed by screwing.

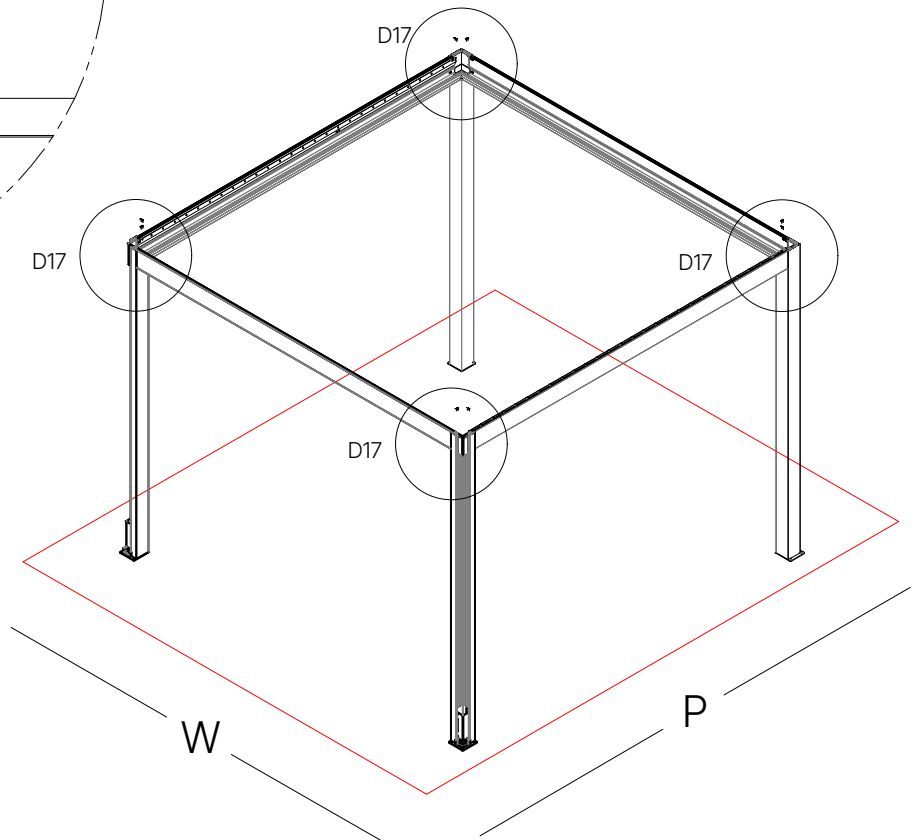
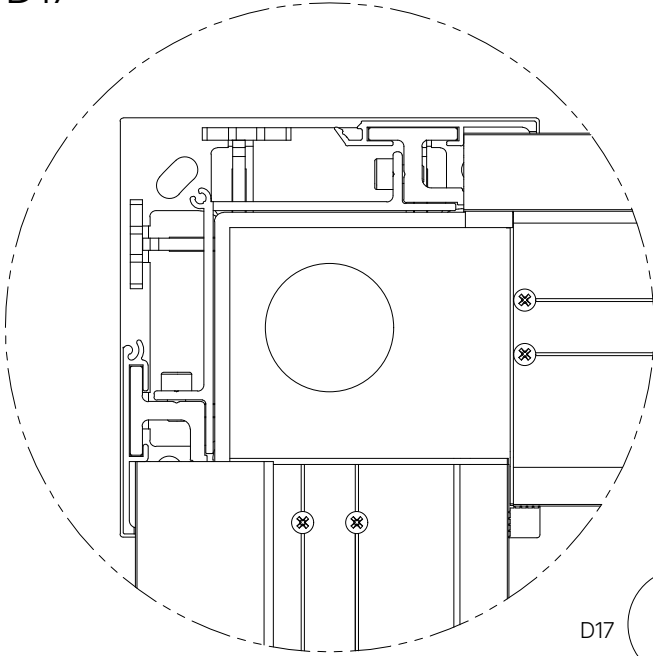
D17



D17

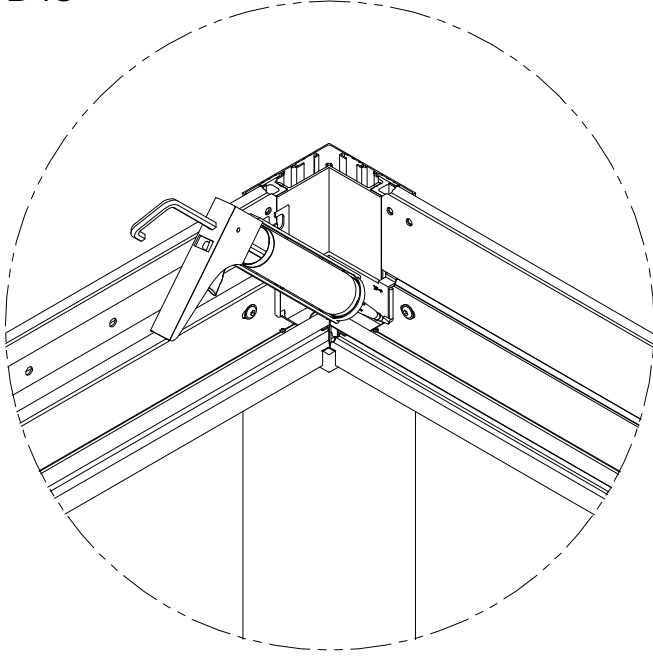


D17

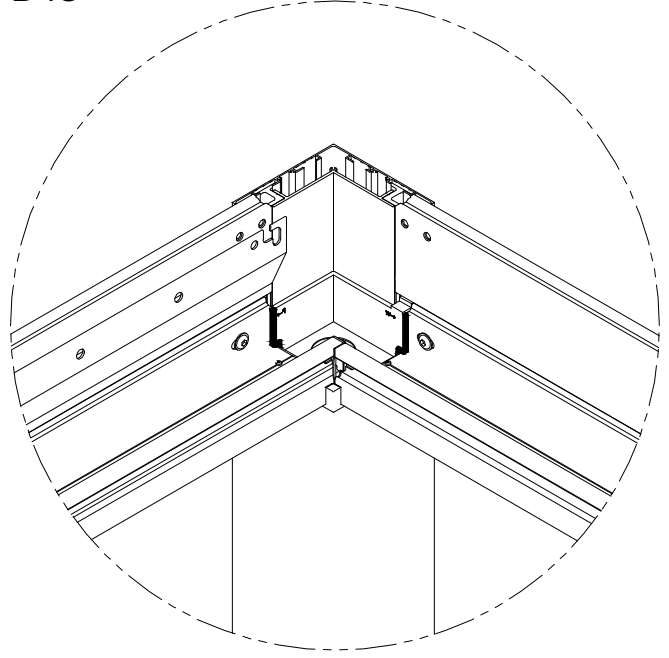


All gutters are fixed by screwing them from above with the screw code EM10100008 from each corner as shown in the figure.

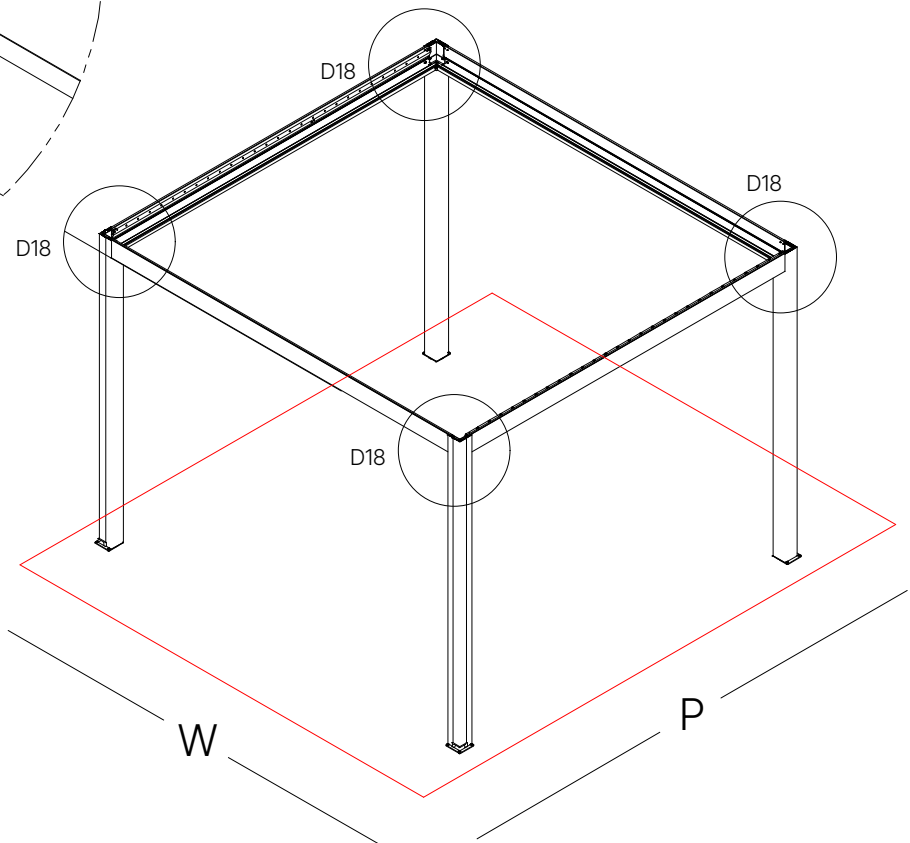
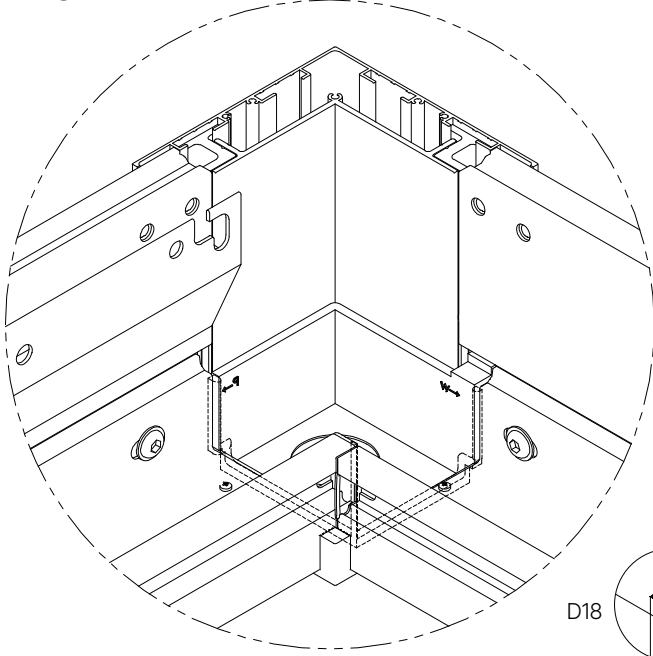
D18



D18

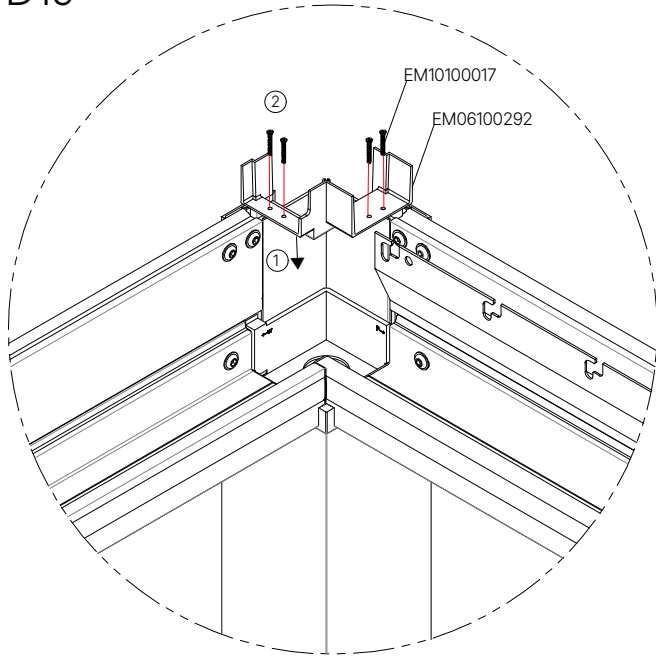


D18

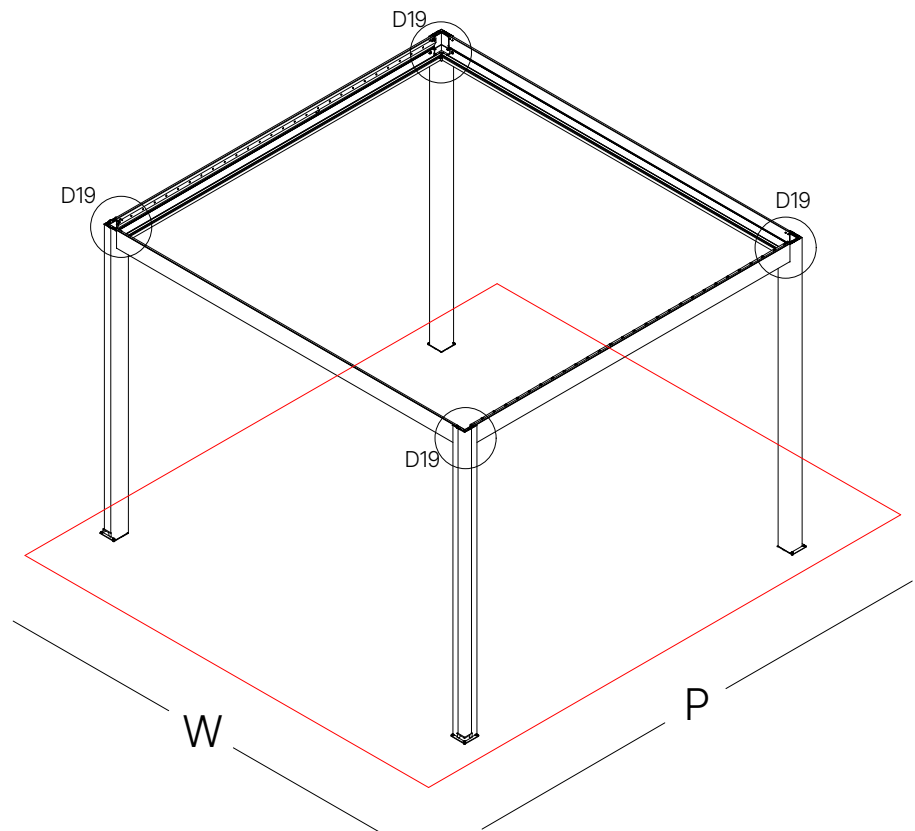
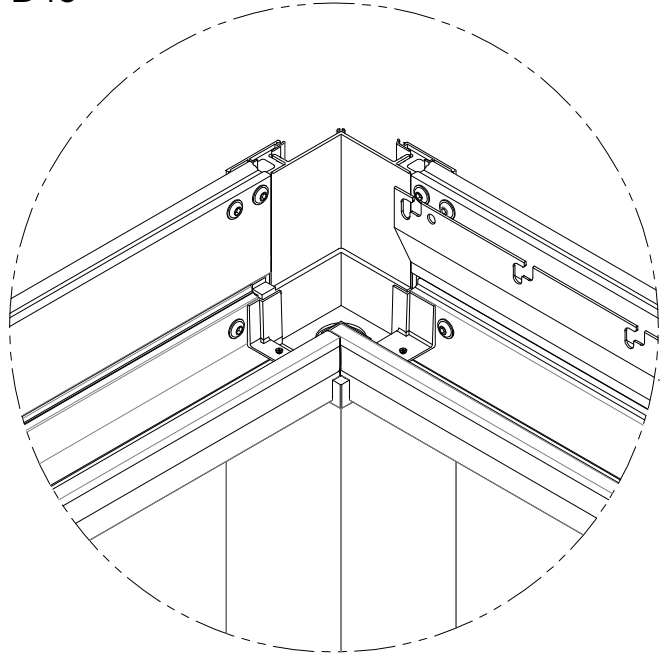


Silicone should be applied to the junction of the rubbers (EM06100186) on the 4 corners, as shown in the figure.

D19



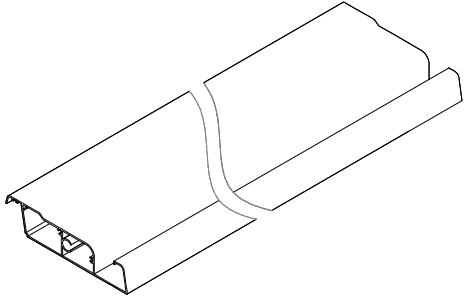
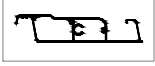
D19



All gutters are fixed by screwing them from above with the screw code EM10100017 from each corner as shown in the figure.

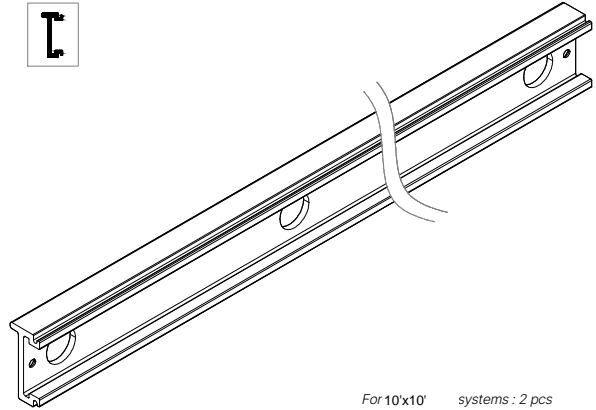
Ecoclimatic Profiles For Second Step

M7032



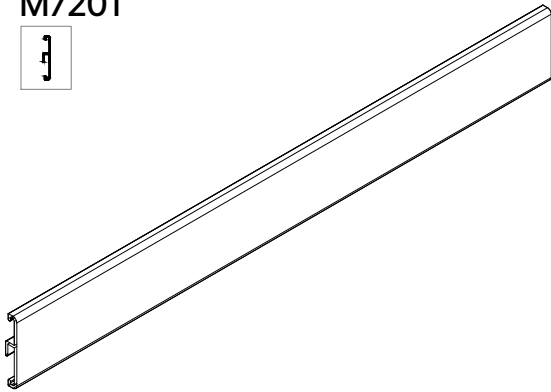
For 10'x10' systems : 22 pcs
 For 10'x13' systems : 30 pcs
 For 10'x16' systems : 38 pcs

M7031



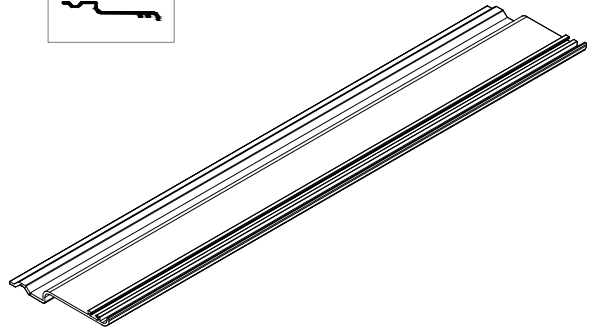
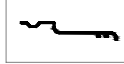
For 10'x10' systems : 2 pcs
 For 10'x13' systems : 2 pcs
 For 10'x16' systems : 2 pcs

M7201



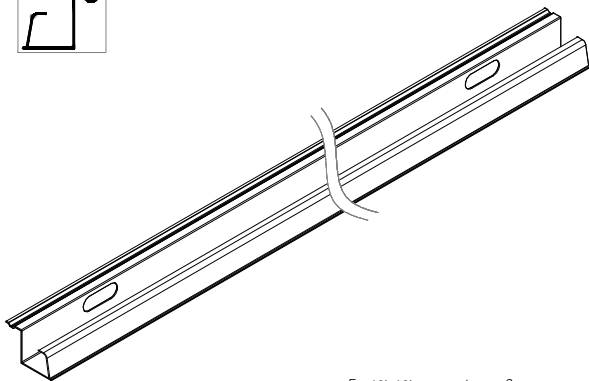
For 10'x10' systems : 2 pcs
 For 10'x13' systems : 2 pcs
 For 10'x16' systems : 2 pcs

M7029



For 10'x10' systems : 2 pcs
 For 10'x13' systems : 2 pcs
 For 10'x16' systems : 2 pcs

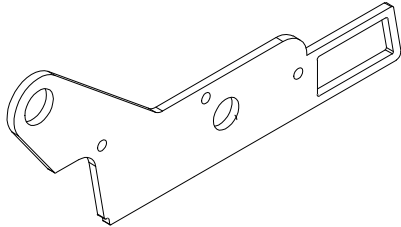
M7030



For 10'x10' systems : 2 pcs
 For 10'x13' systems : 2 pcs
 For 10'x16' systems : 2 pcs

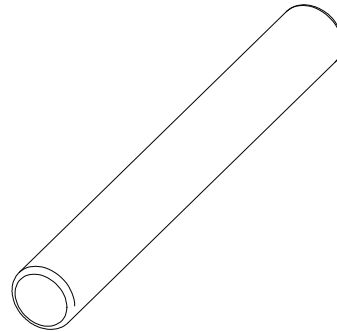
Ecoclimatic Accessories For Second Step

EM07200091



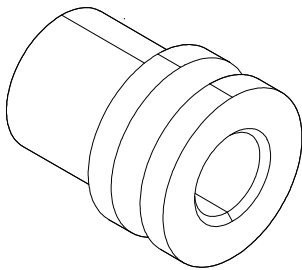
For 10'x10' systems : 43 pcs
 For 10'x13' systems : 59 pcs
 For 10'x16' systems : 75 pcs

EM07300164



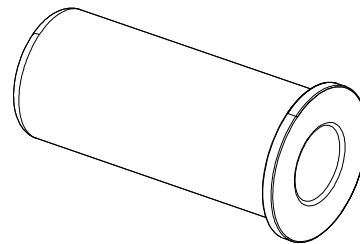
For 10'x10' systems : 44 pcs
 For 10'x13' systems : 60 pcs
 For 10'x16' systems : 76 pcs

EM06100202



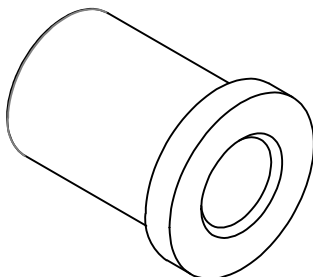
For 10'x10' systems : 22 pcs
 For 10'x13' systems : 30 pcs
 For 10'x16' systems : 38 pcs

EM06100203



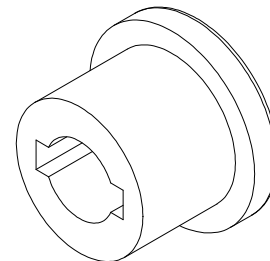
For 10'x10' systems : 1 pcs
 For 10'x13' systems : 1 pcs
 For 10'x16' systems : 1 pcs

EM06100228
motor side



For 10'x10' systems : 22 pcs
 For 10'x13' systems : 30 pcs
 For 10'x16' systems : 38 pcs

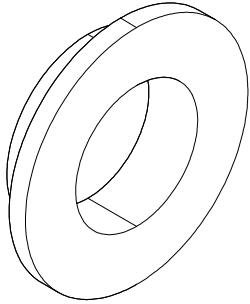
EM06100208



For 10'x10' systems : 1 pcs
 For 10'x13' systems : 1 pcs
 For 10'x16' systems : 1 pcs

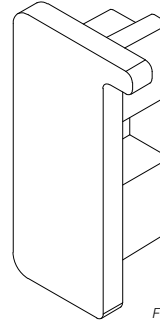
Ecoclimatic Accessories For Second Step

EM06100184



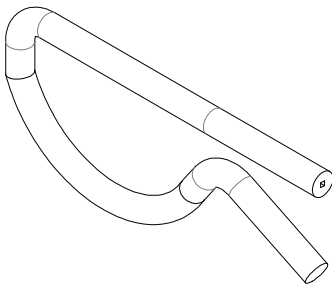
For 10'x10' systems : 44 pcs
 For 10'x13' systems : 60 pcs
 For 10'x16' systems : 76 pcs

EM06100279 - (Black)
EM06100278 - (White)



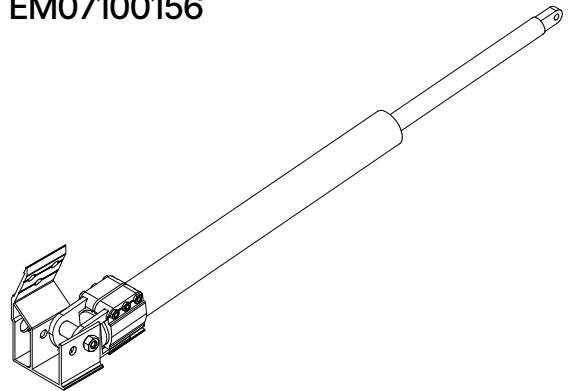
For 10'x10' systems : 4 pcs
 For 10'x13' systems : 4 pcs
 For 10'x16' systems : 4 pcs

EM07400027



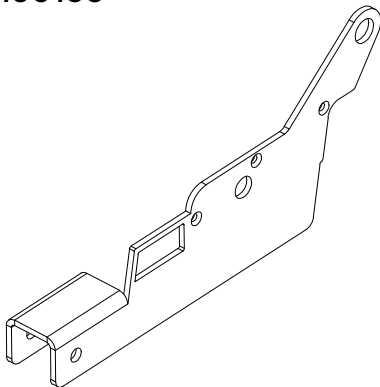
For 10'x10' systems : 44 pcs
 For 10'x13' systems : 60 pcs
 For 10'x16' systems : 76 pcs

EM07100156



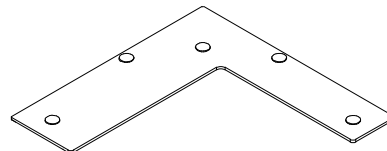
For 10'x10' systems : 1 pcs
 For 10'x13' systems : 1 pcs
 For 10'x16' systems : 1 pcs

EM07100166



For 10'x10' systems : 1 pcs
 For 10'x13' systems : 1 pcs
 For 10'x16' systems : 1 pcs

EM07100105

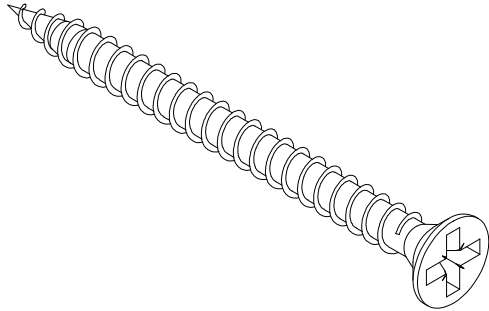


For 10'x10' systems : 4 pcs
 For 10'x13' systems : 4 pcs
 For 10'x16' systems : 4 pcs

Ecoclimatic Accessories For Second Step

EM10100006

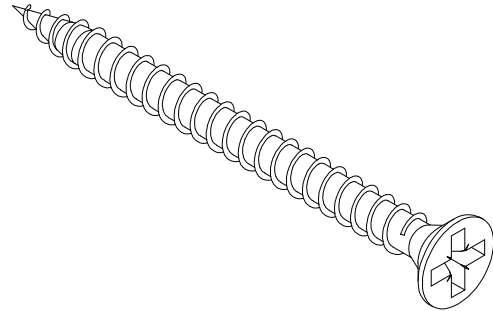
3,9x12 mm Screw (0.15"x0.47")



For 10'x10' systems : 4 pcs
For 10'x13' systems : 4 pcs
For 10'x16' systems : 4 pcs

EM10100007

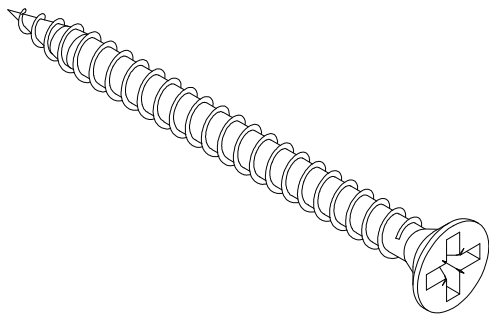
3,9x30 mm Screw (0.15"x1.18")



For 10'x10' systems : 132 pcs
For 10'x13' systems : 180 pcs
For 10'x16' systems : 228 pcs

EM10100030

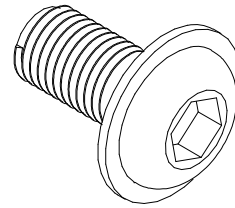
3,9x25 mm Screw (0.15"x0.98")



For 10'x10' systems : 30 pcs
For 10'x13' systems : 30 pcs
For 10'x16' systems : 30 pcs

EM10200030

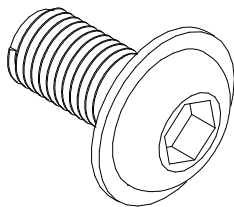
M6x35 Bolt



For 10'x10' systems : 1 pcs
For 10'x13' systems : 1 pcs
For 10'x16' systems : 1 pcs

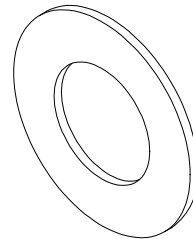
EM10200006

M8x12 Bolt



For 10'x10' systems : 3 pcs
For 10'x13' systems : 3 pcs
For 10'x16' systems : 3 pcs

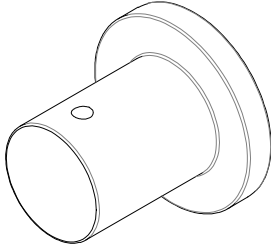
EM10400005



For 10'x10' systems : 44 pcs
For 10'x13' systems : 60 pcs
For 10'x16' systems : 76 pcs

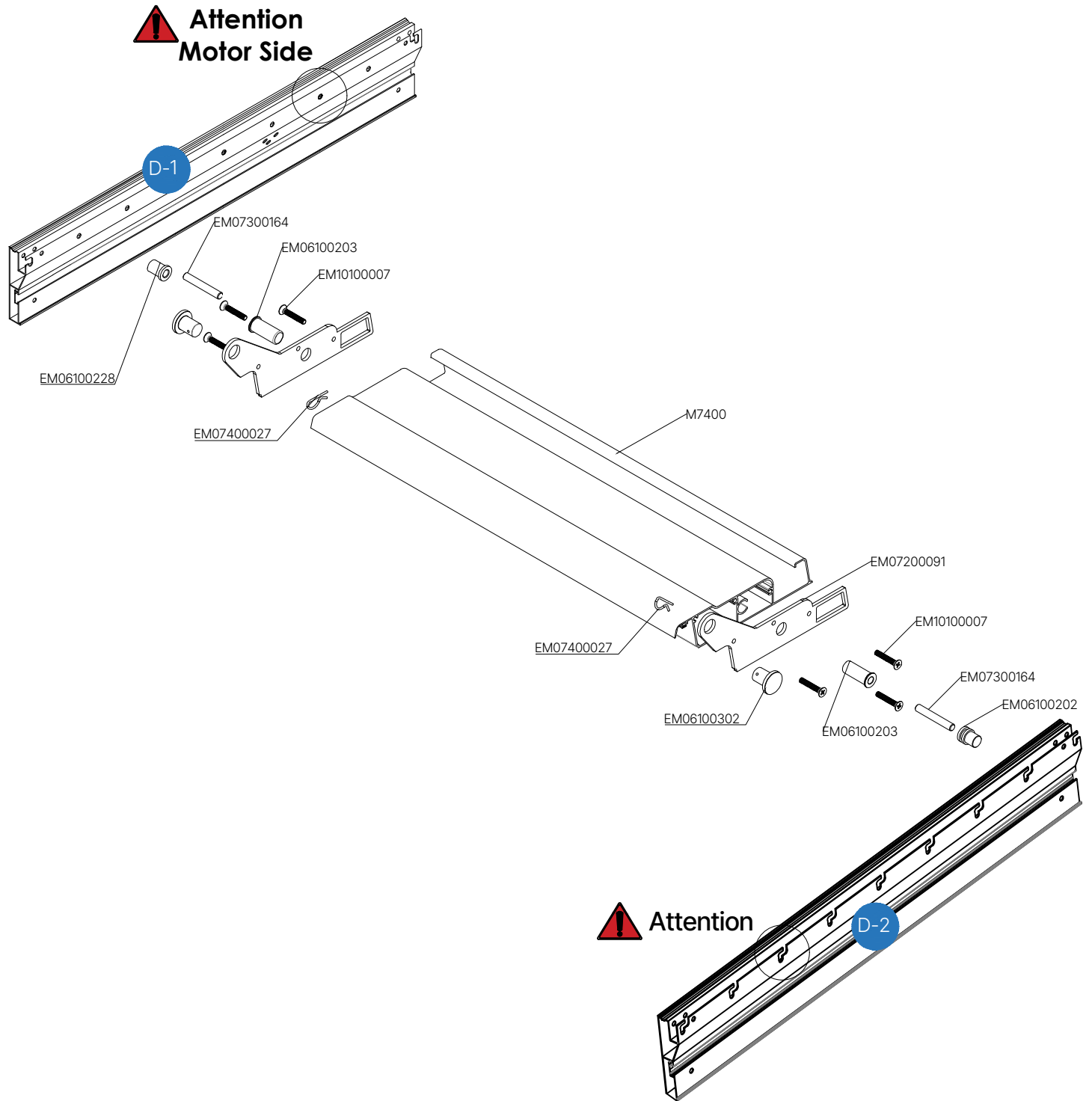
Ecoclimatic Accessories For Second Step

EM06100302



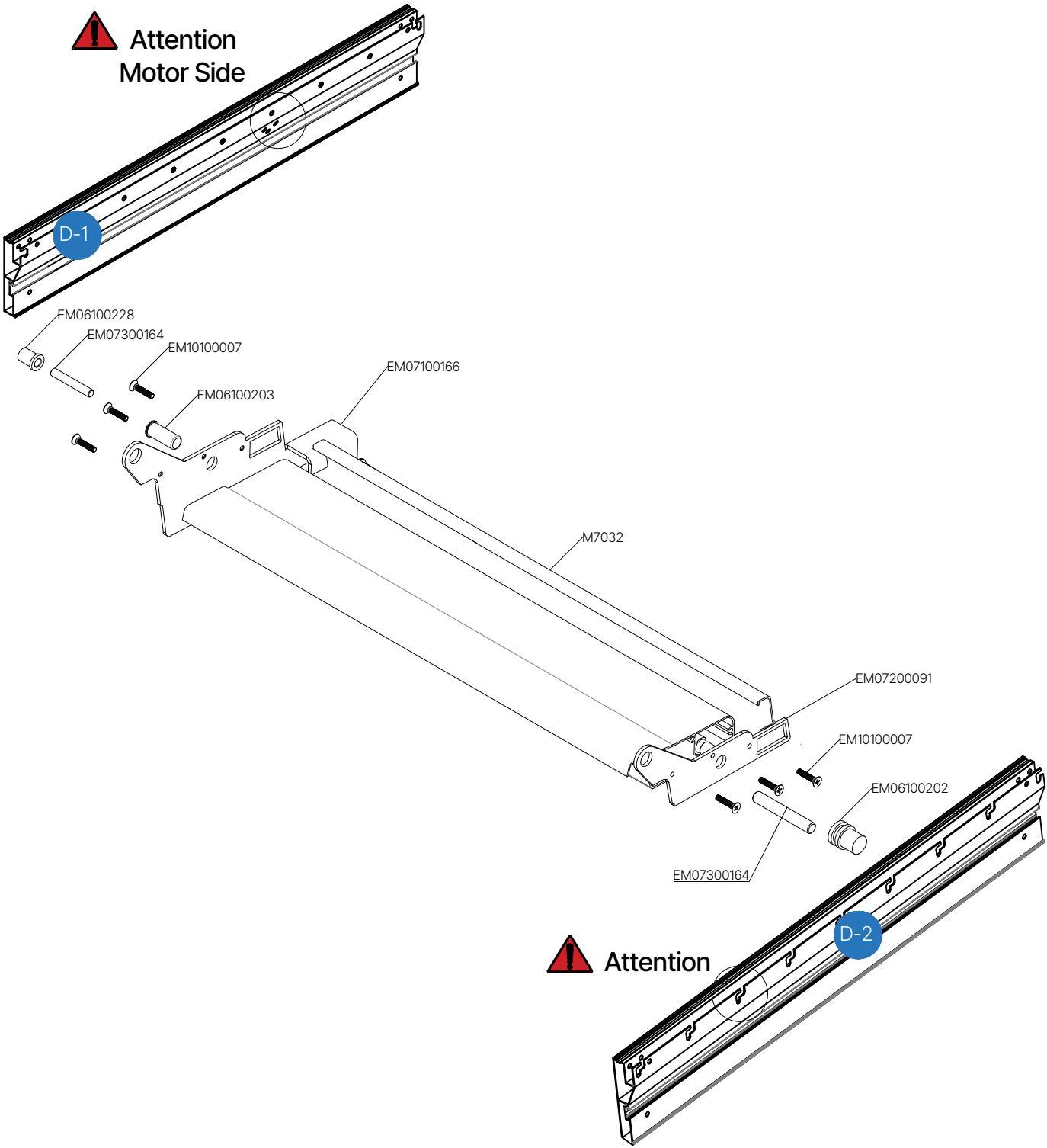
For 10x10' systems : 44 pcs
For 10x13' systems : 60 pcs
For 10x16' systems : 76 pcs

Ecoclimatic Second Step : Preparing Blades



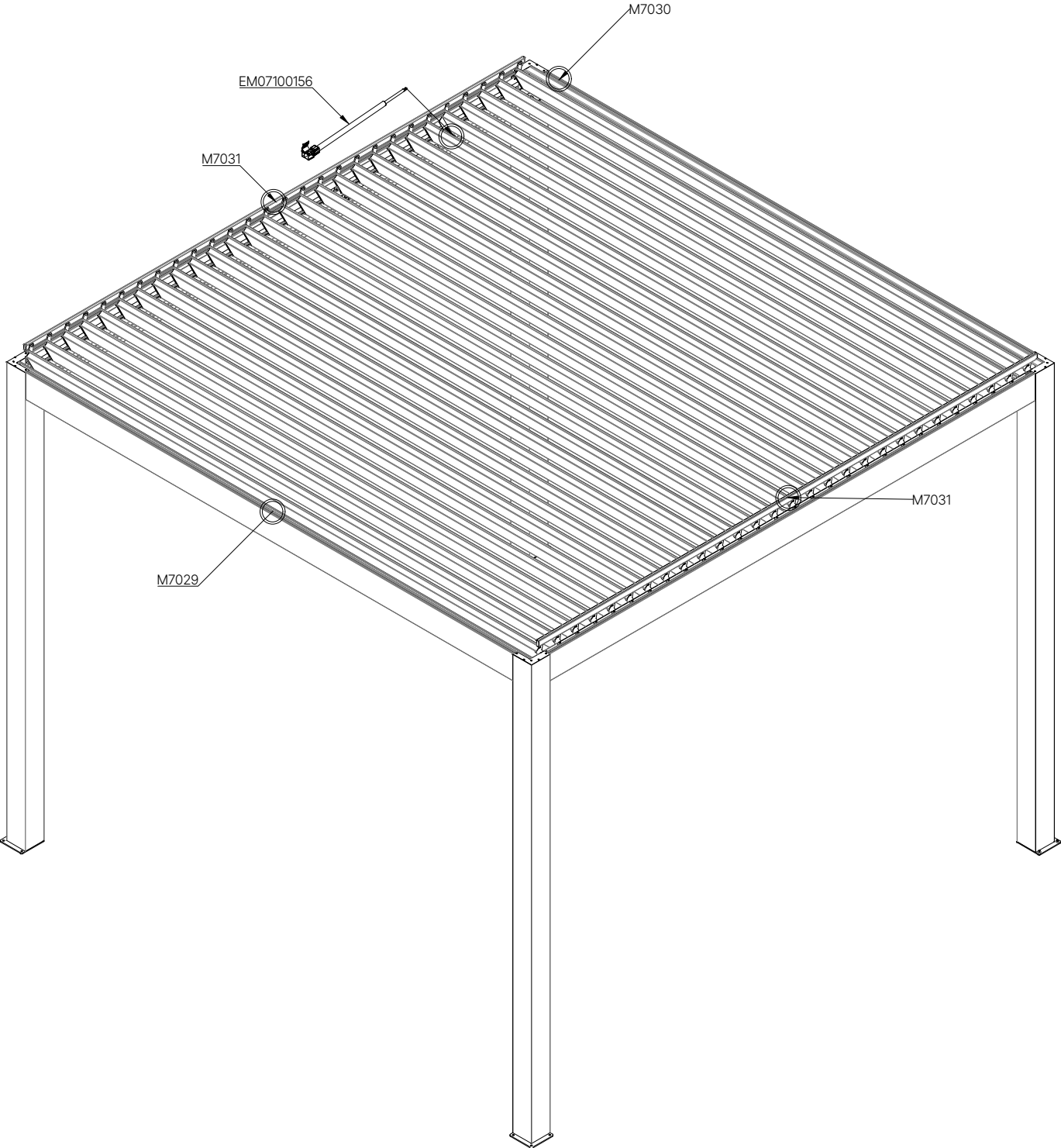
Ecoclimatic Second Step : Preparing Motor Blade

 Attention
Motor Side

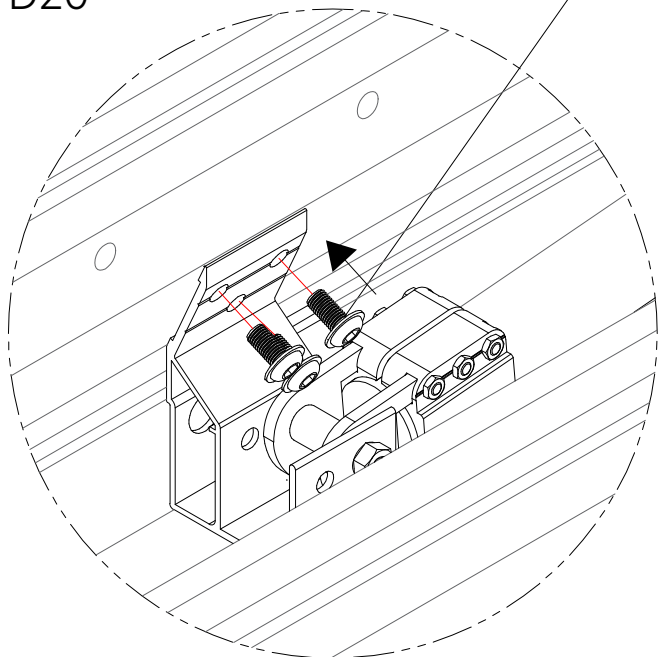


 Attention

Ecoclimatic Second Step : Mounting Roof

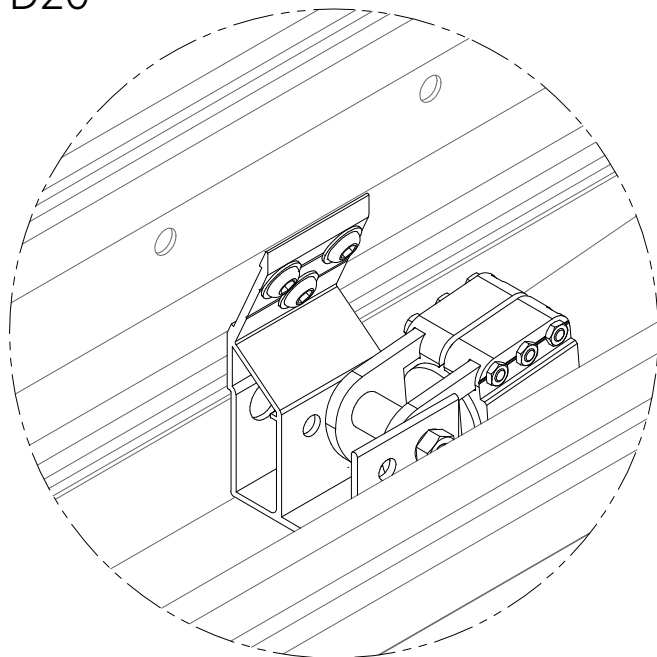


D20

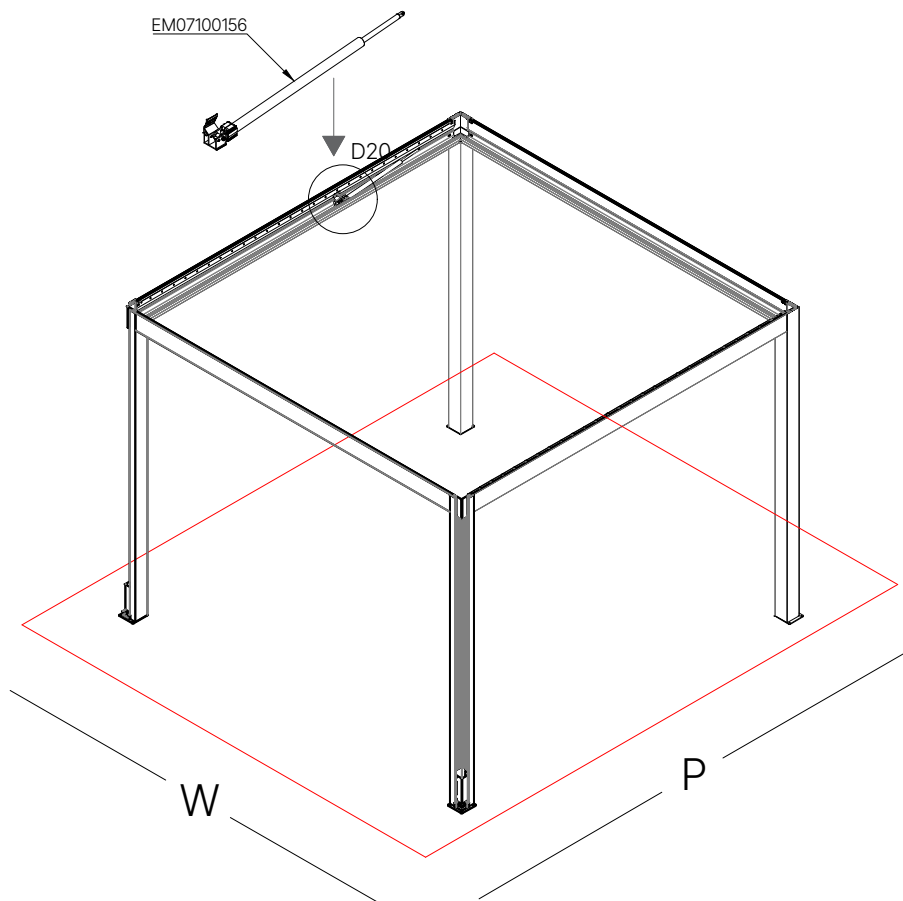


EM10200006

D20

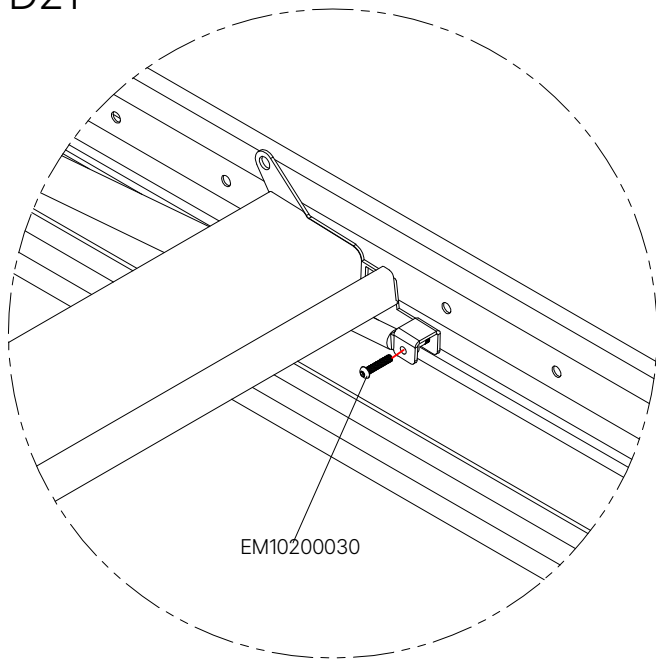


EM07100156

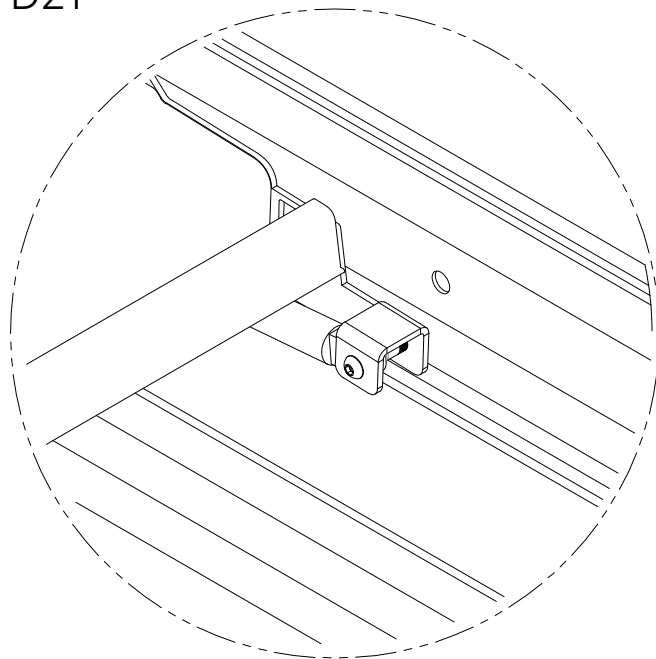


The EM07100156 coded motor is placed and screwed into the 3 holes drilled on the D1 coded profile.

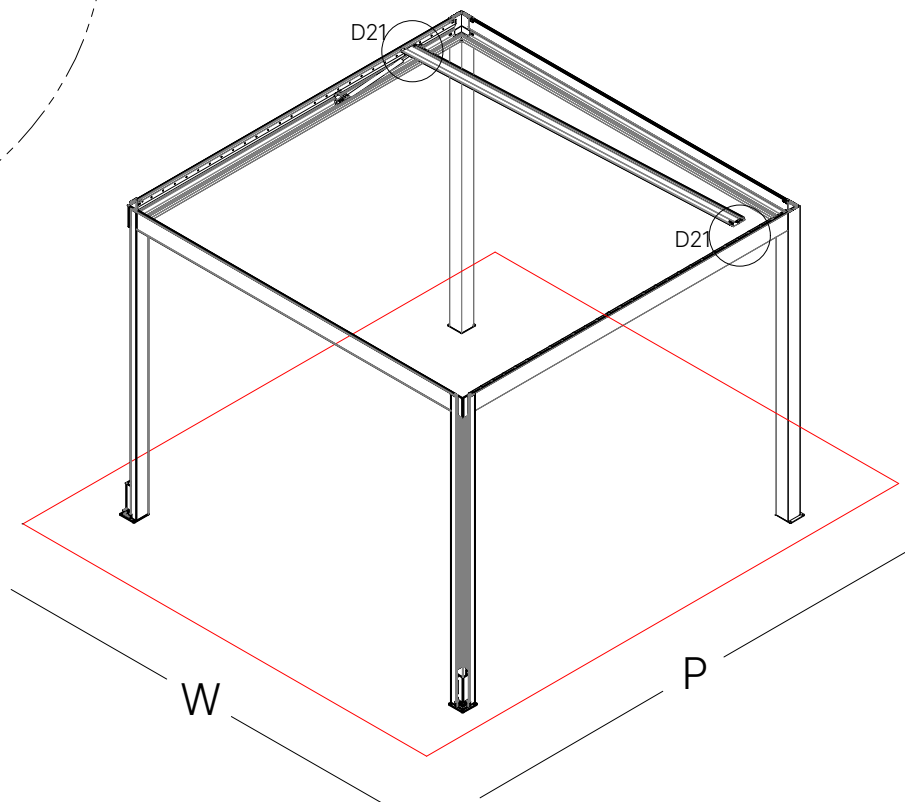
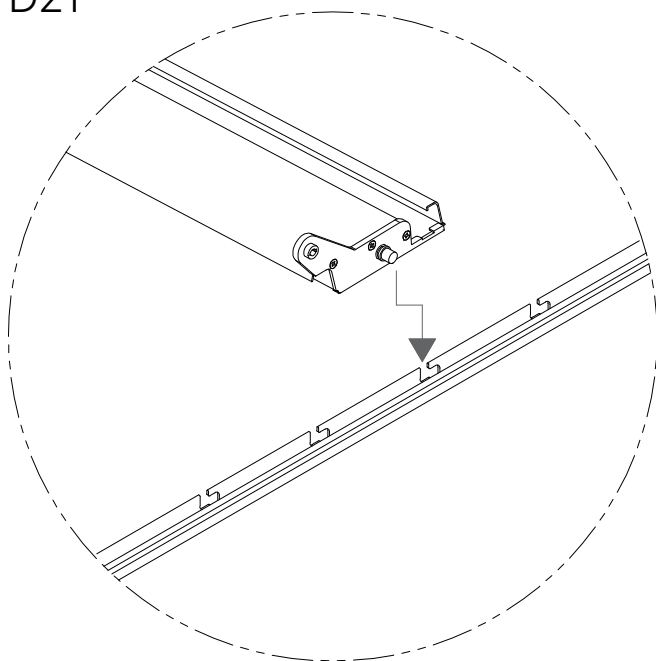
D21



D21



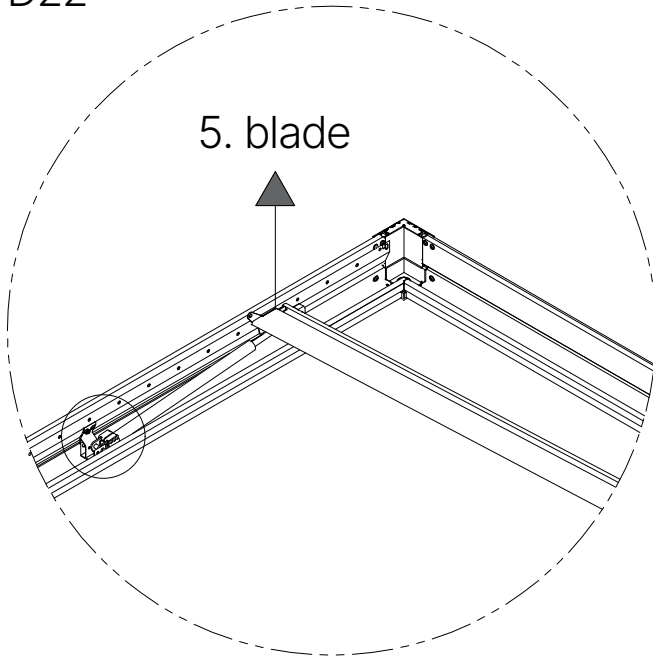
D21



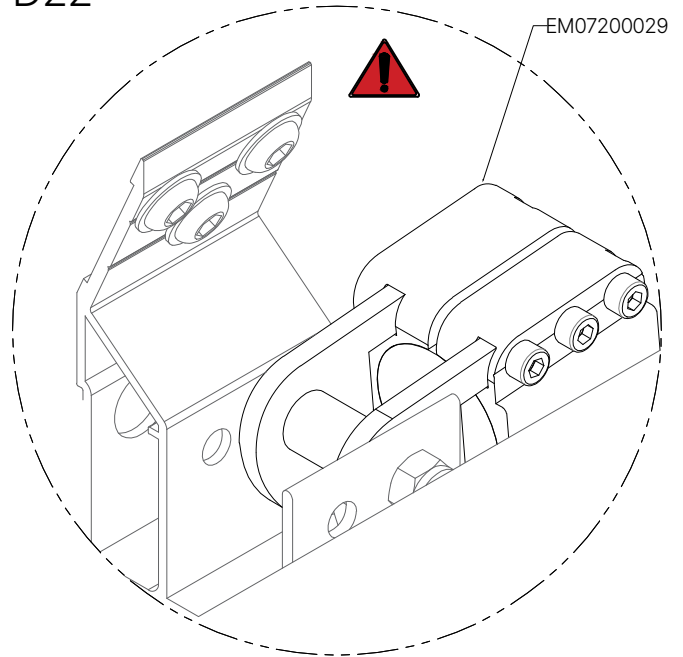
The previously prepared motor blade is connected to the motor and installed in the channels as shown above.

This Detail Belongs to 10'x10' and 10'x13' Systems

D22

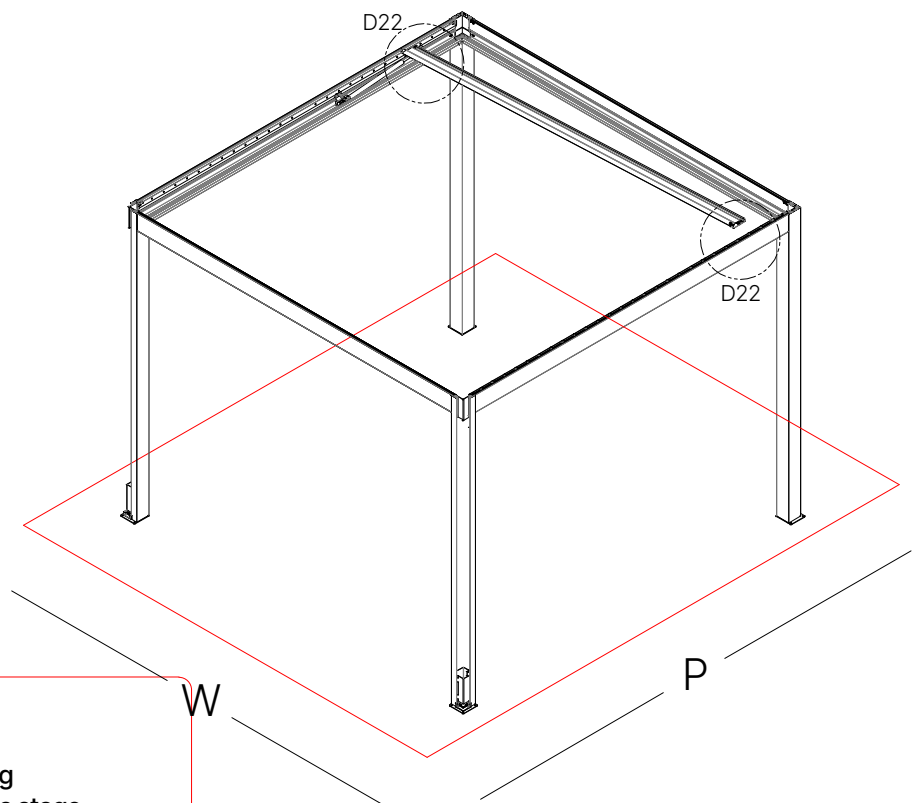


D22



Attention

The details here apply to 10'x10' and 10'x13'. This detail is also applied in the old version 10'x16' systems. If your system is 10'x16', proceed to the next page.



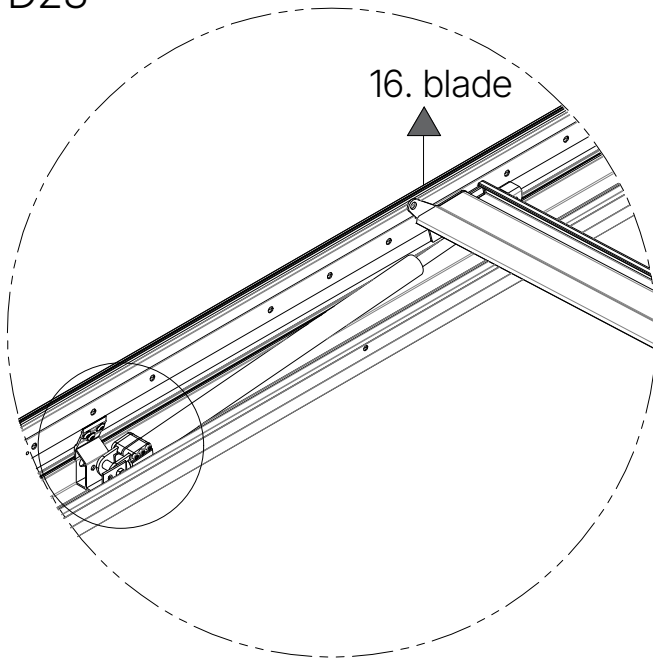
Attention

Please see page 39 for instructions regarding LED and cable connection applications at this stage.

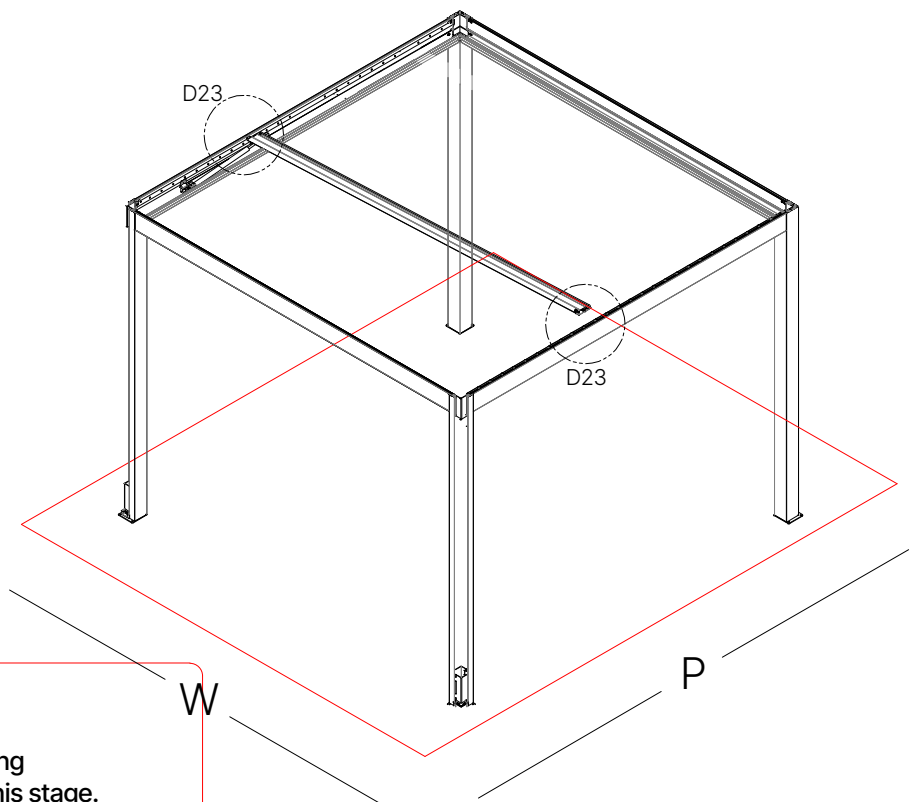
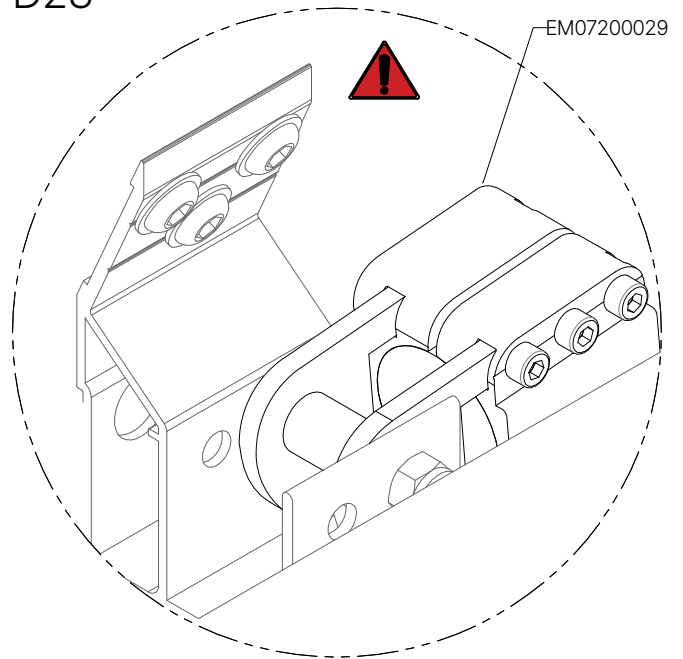
The screws on the accessory with code EM07200029 are loosened. The motor arm is positioned correctly while the motor blade is in the closed position. The screws on the accessory with code EM07200029 are tightened to adjust the motor position.

⚠ This Detail Belongs to 10'x16' System

D23



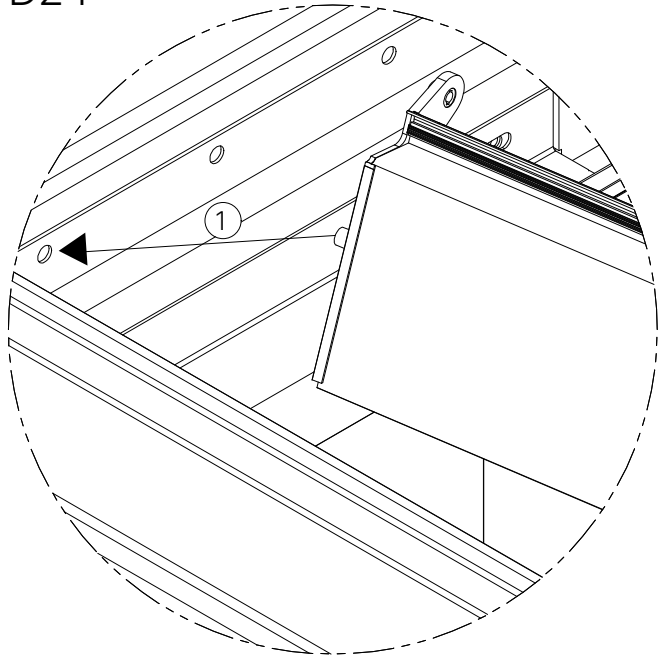
D23



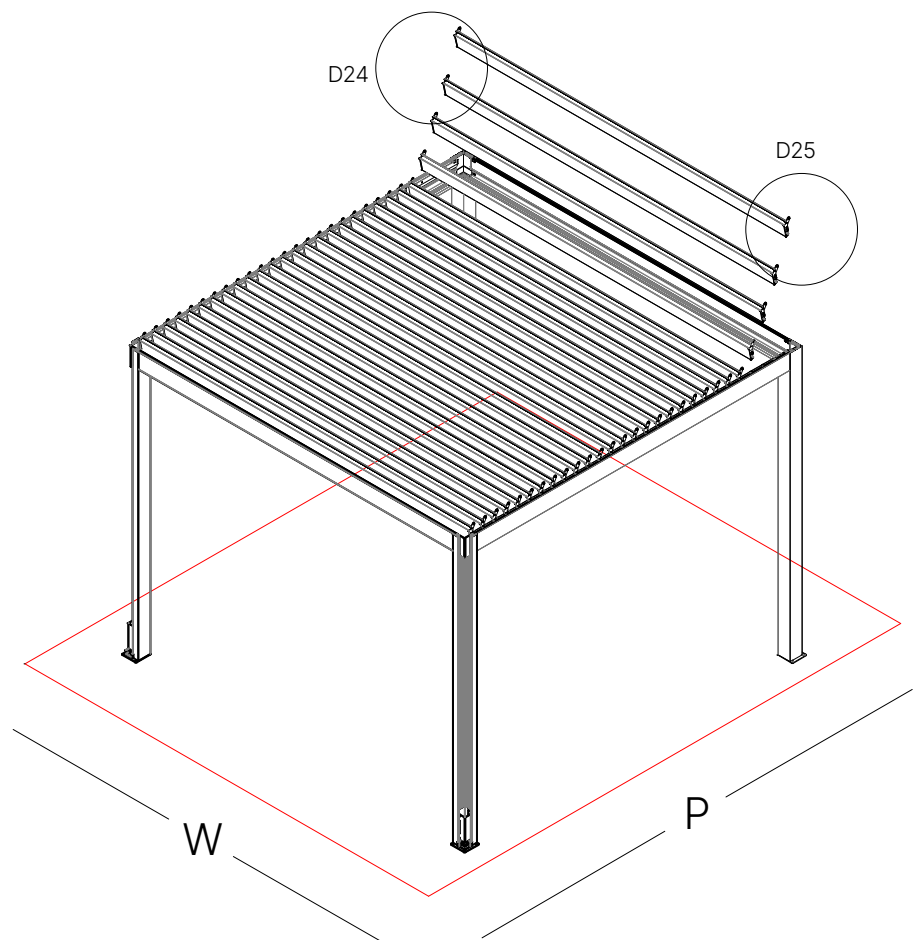
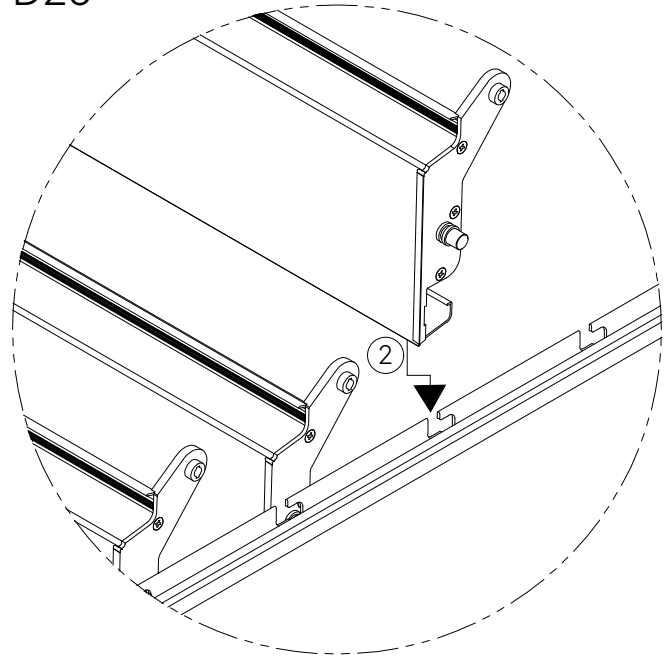
⚠ Attention
 Please see page 39 for instructions regarding LED and cable connection applications at this stage.

The screws on the accessory with code EM07200029 are loosened. The motor arm is positioned correctly while the motor blade is in the closed position. The screws on the accessory with code EM07200029 are tightened to adjust the motor position.

D24

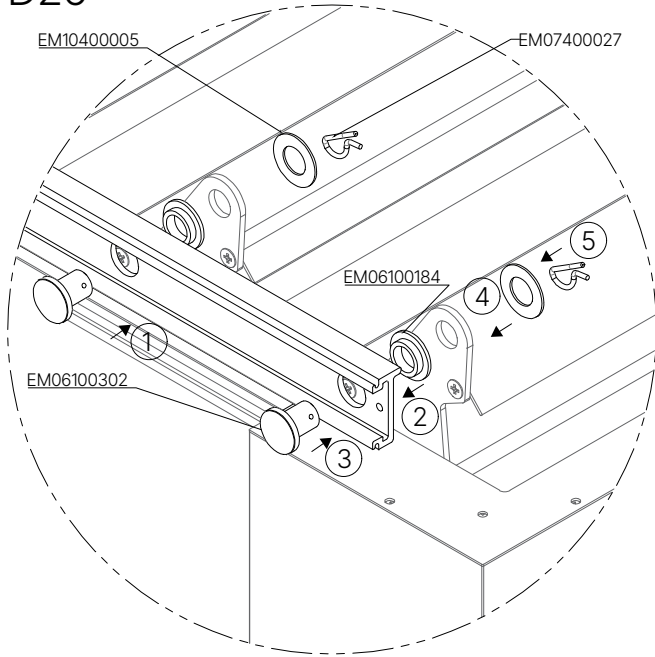


D25

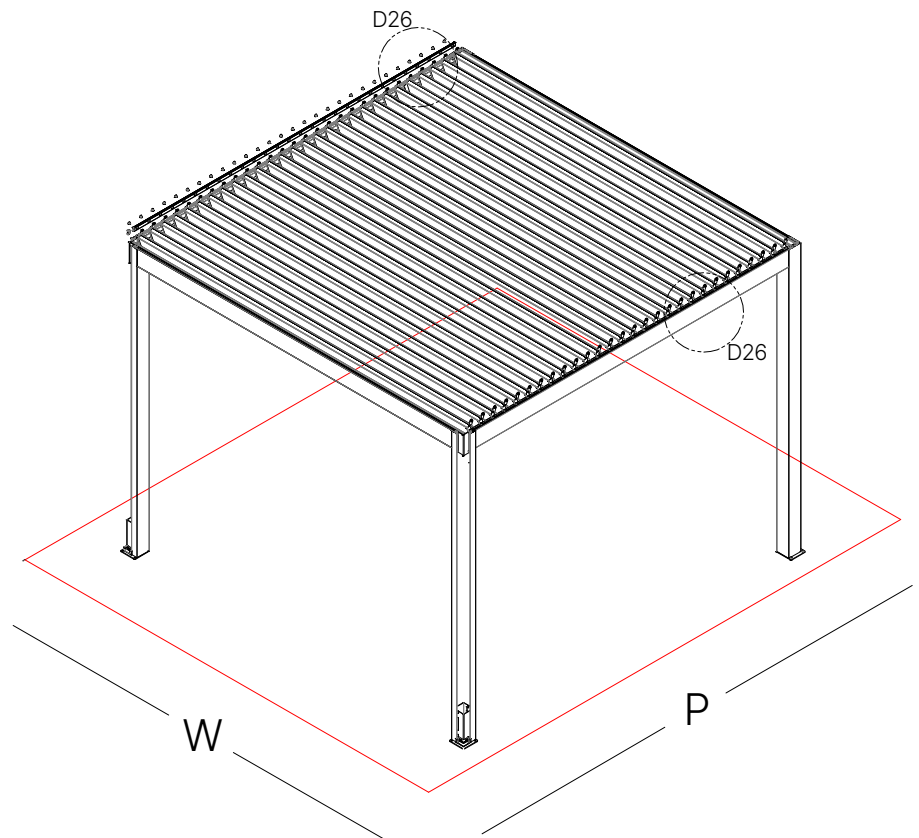
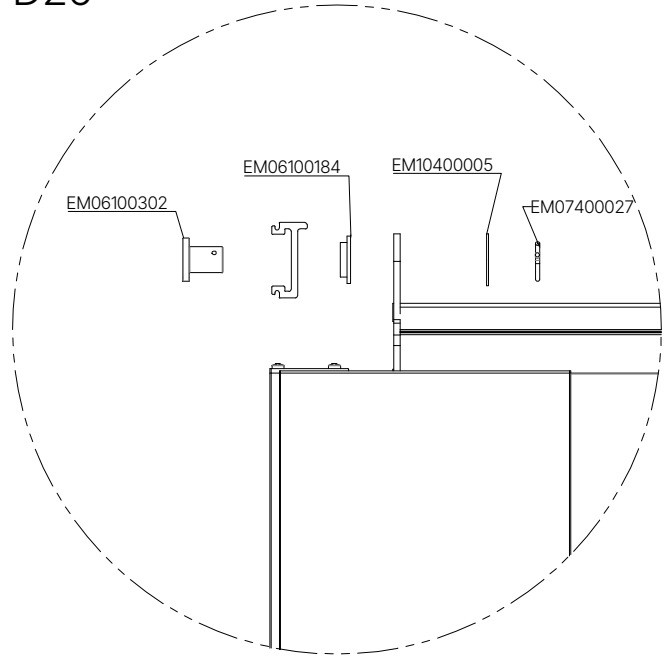


Other previously prepared blades are attached to the channels sequentially as shown above.

D26

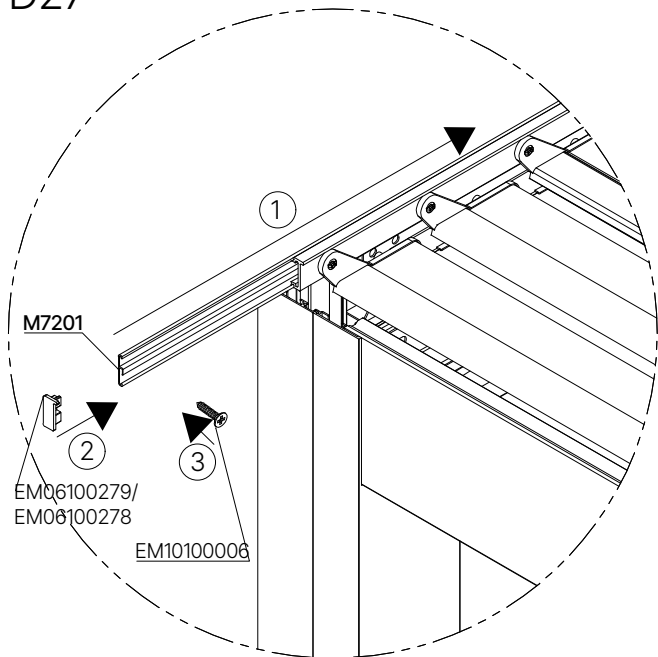


D26

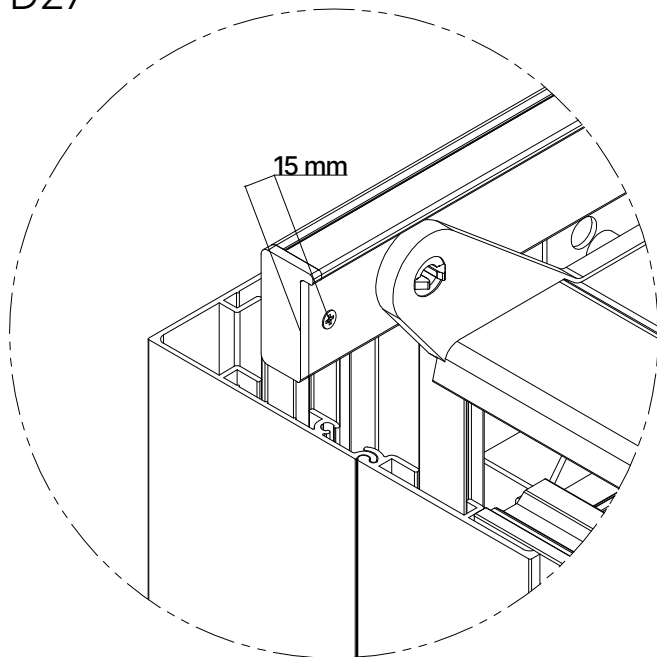


The movement arm (M7031) on the right and left is inserted as shown above. An additional part is placed for the motor blade.

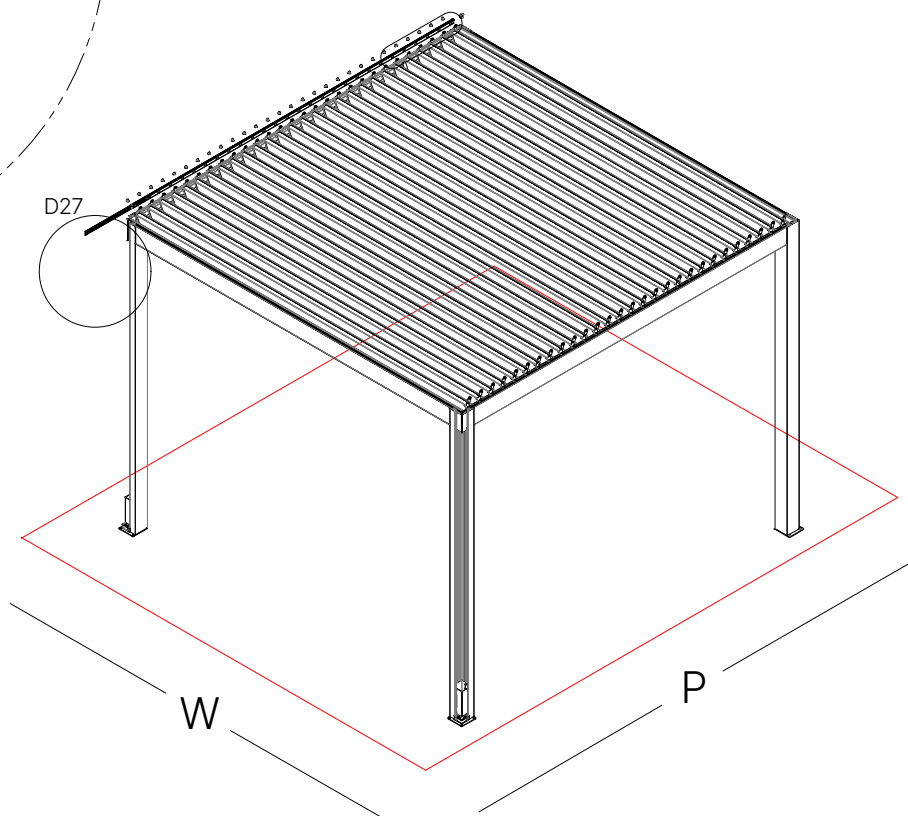
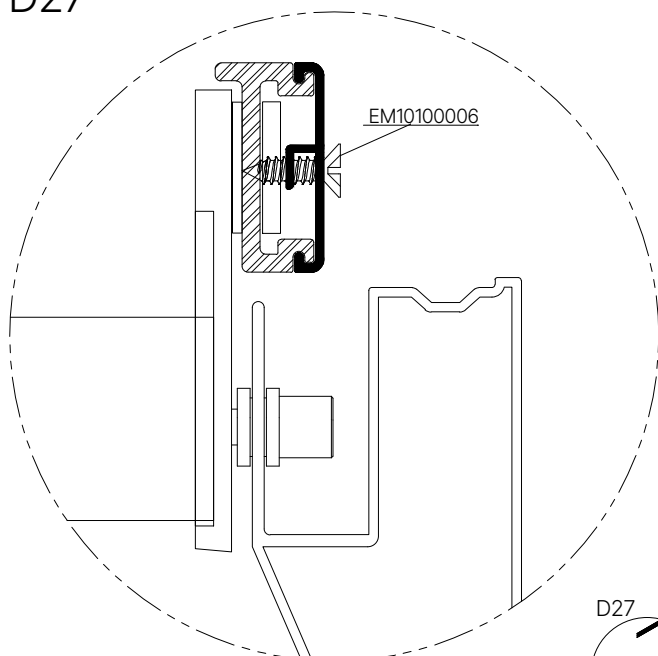
D27



D27

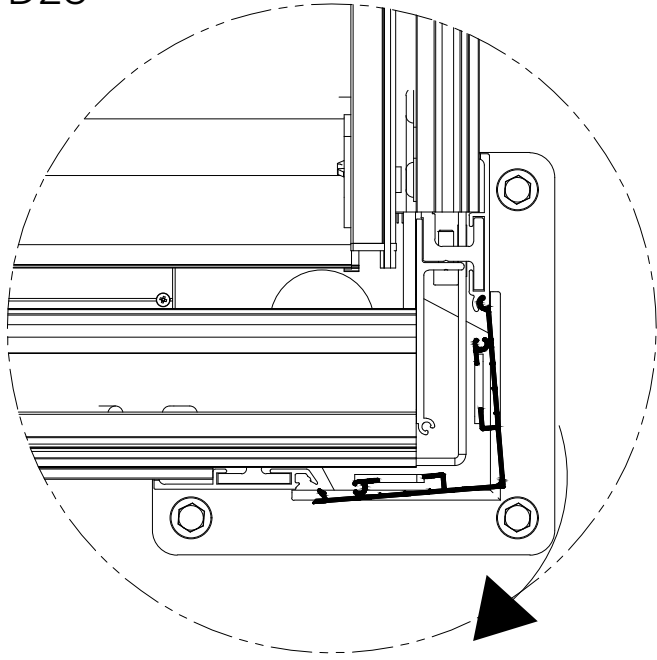


D27

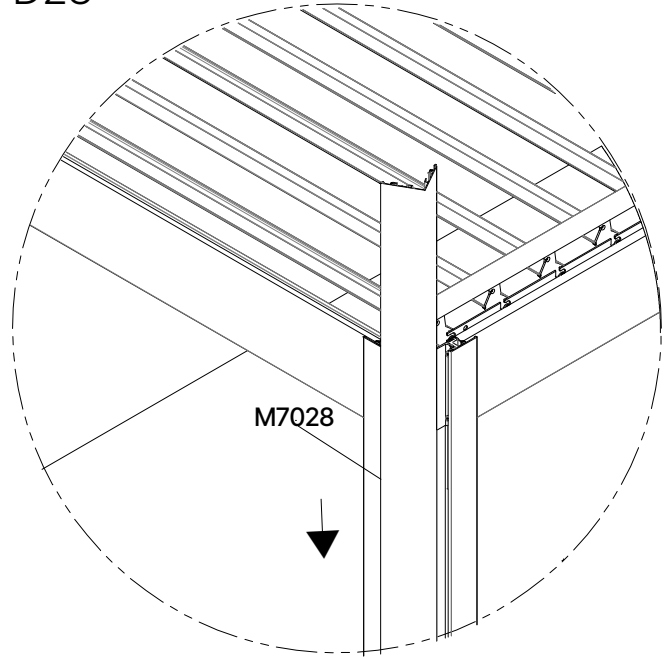


The cover profiles of the movement arm (M7201) are inserted. The plastic covers to be used on the front and back are fixed by screwing after they are installed.

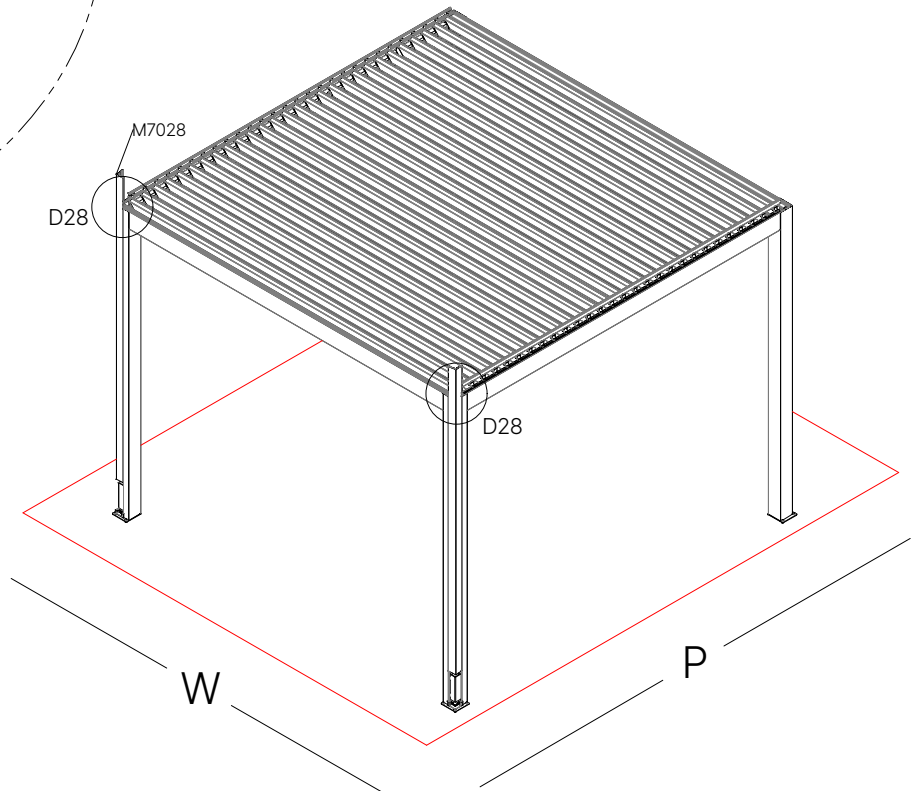
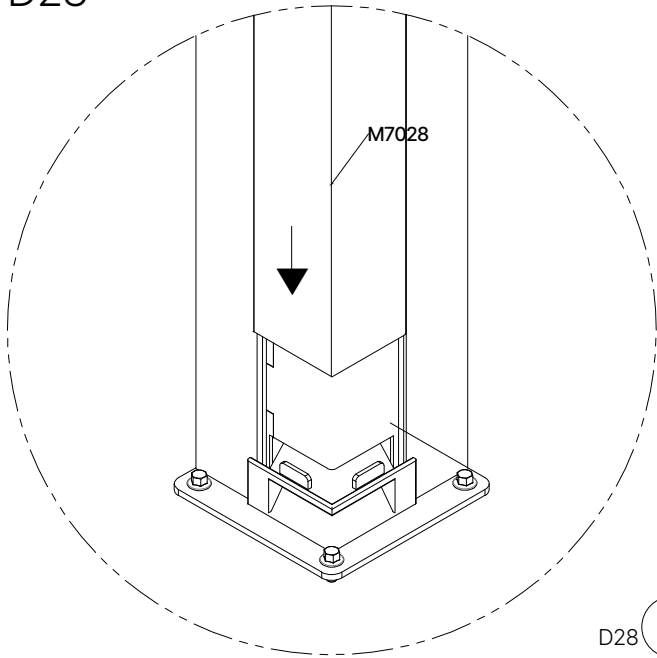
D28



D28

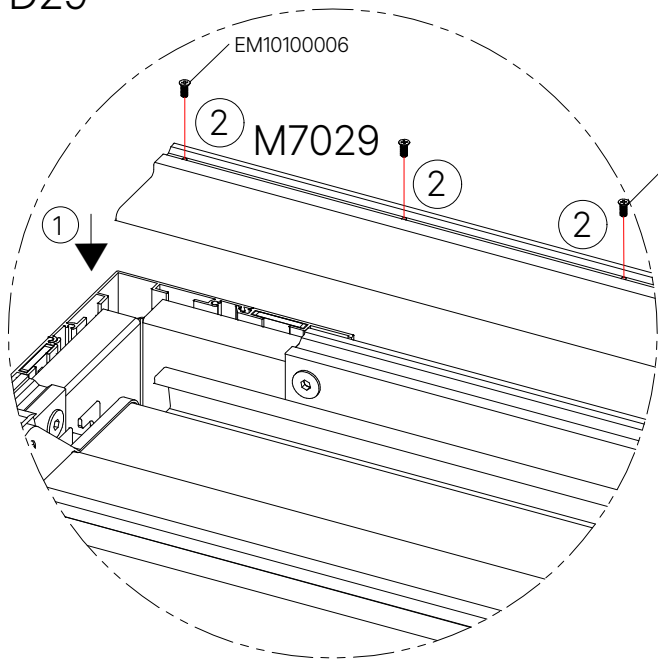


D28

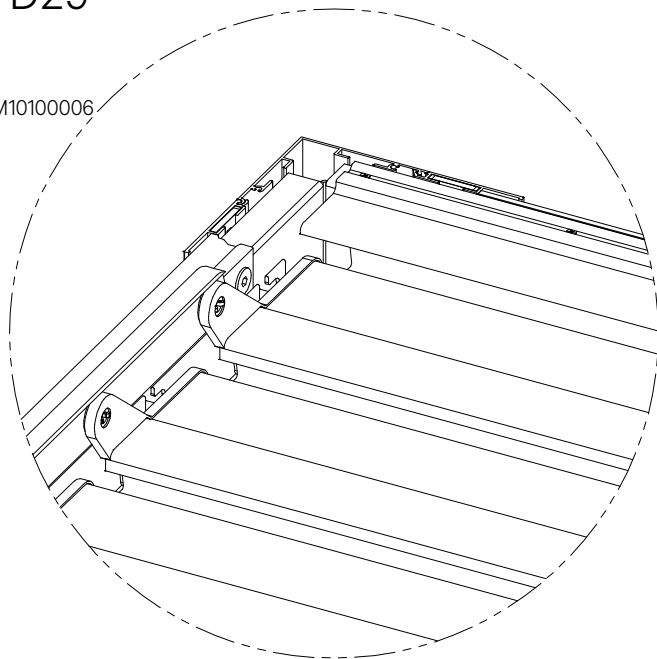


The pillar covers (M7028) on the front of the system are placed on the tabs and installed from top to bottom.

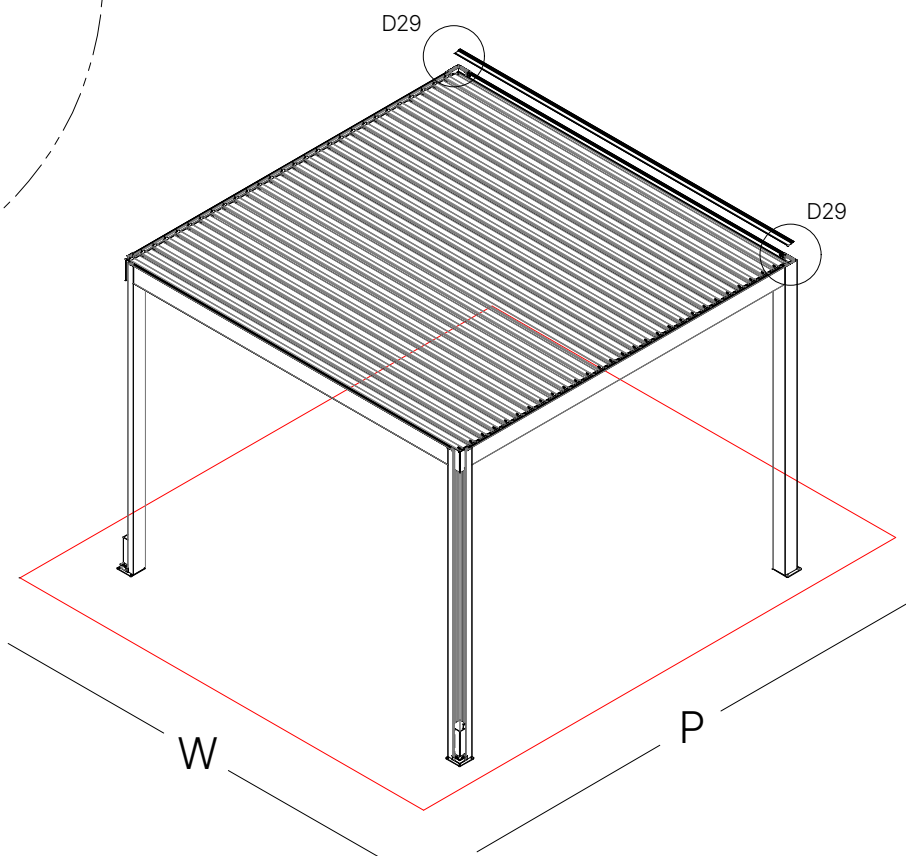
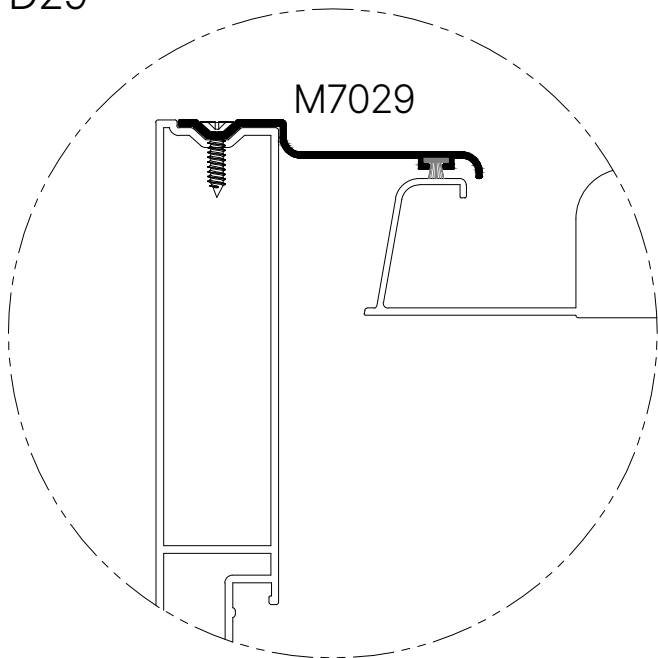
D29



D29

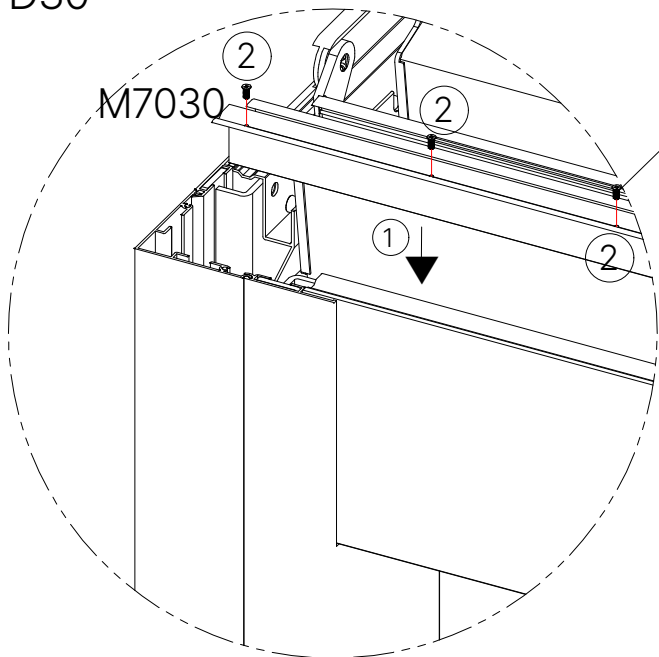


D29

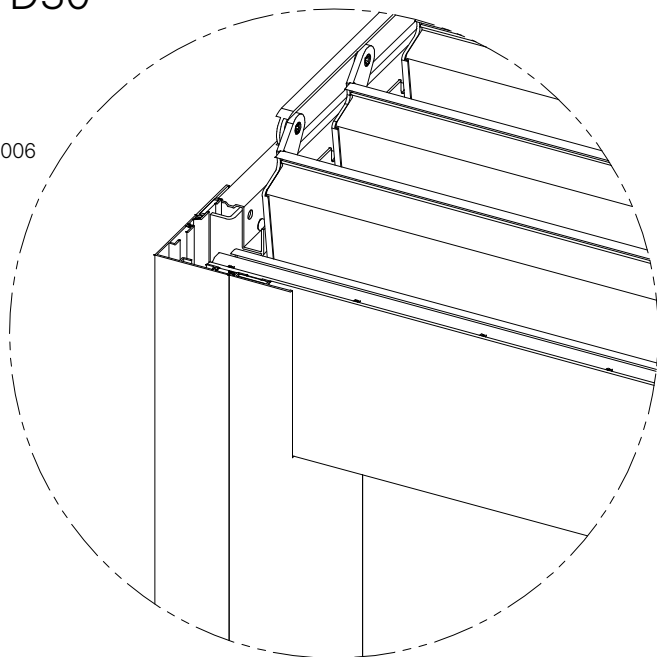


The rear cover profile is installed and screwed as shown above.

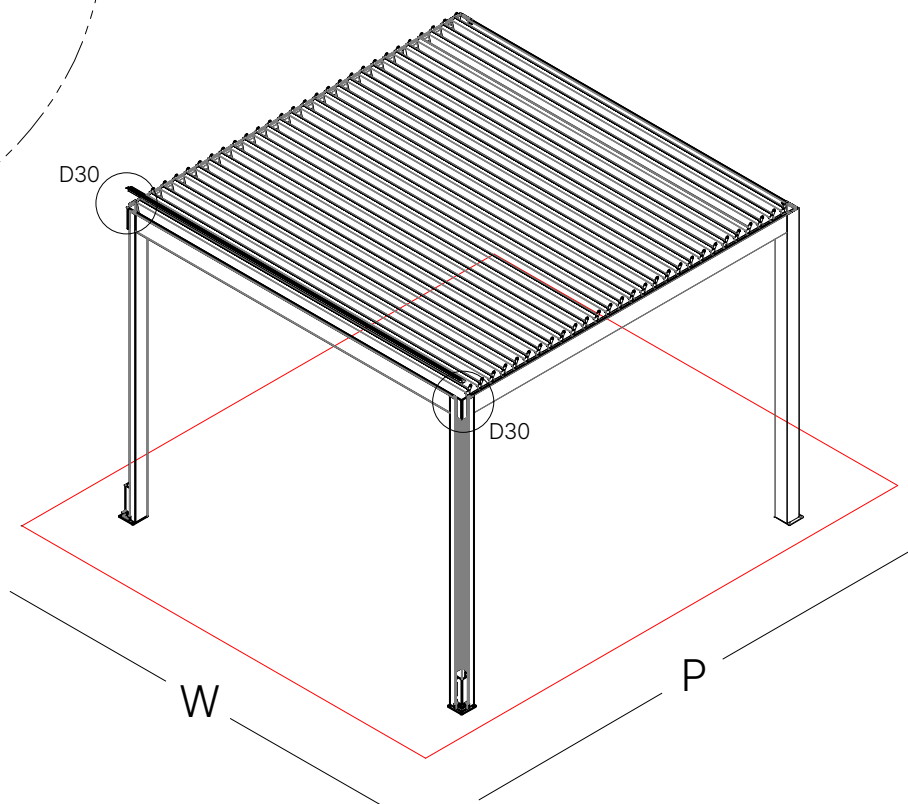
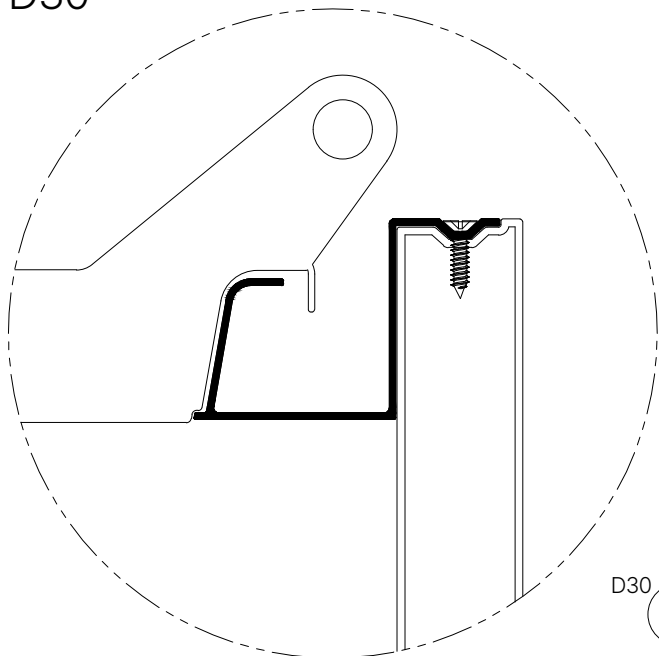
D30



D30



D30



The front cover profile is installed and screwed as shown above.

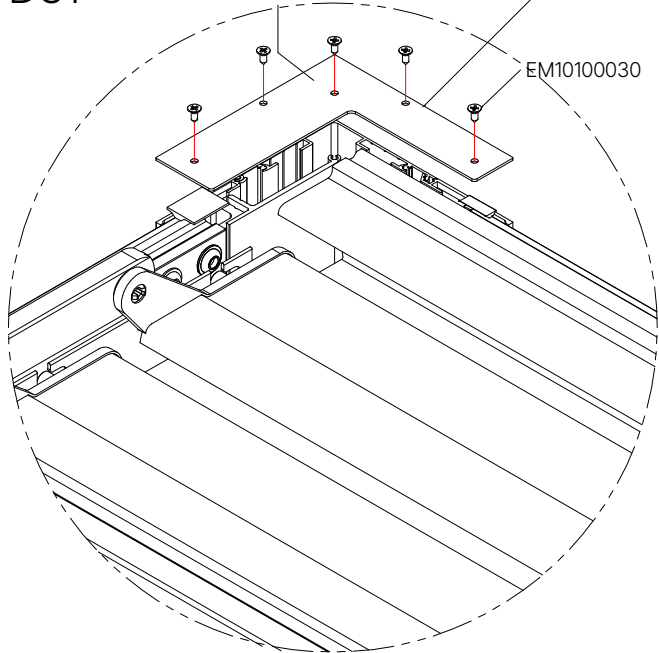
D31



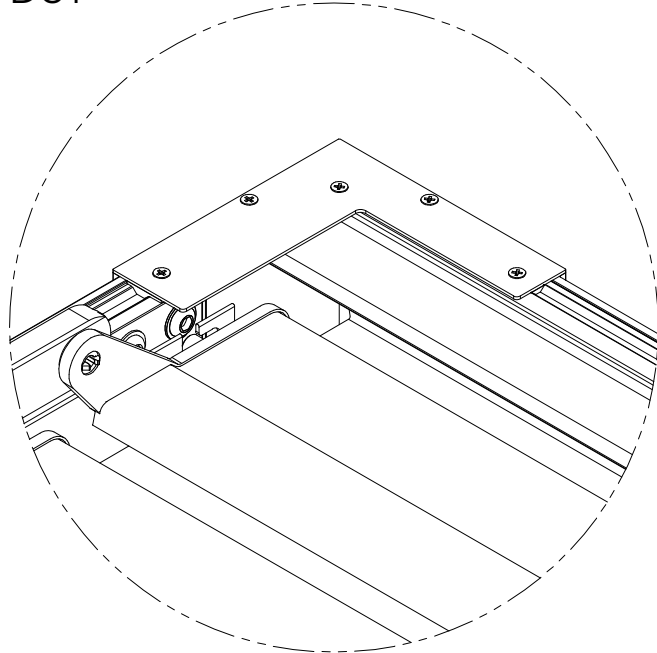
The thick edge should be oriented towards the P direction.

EM07100105

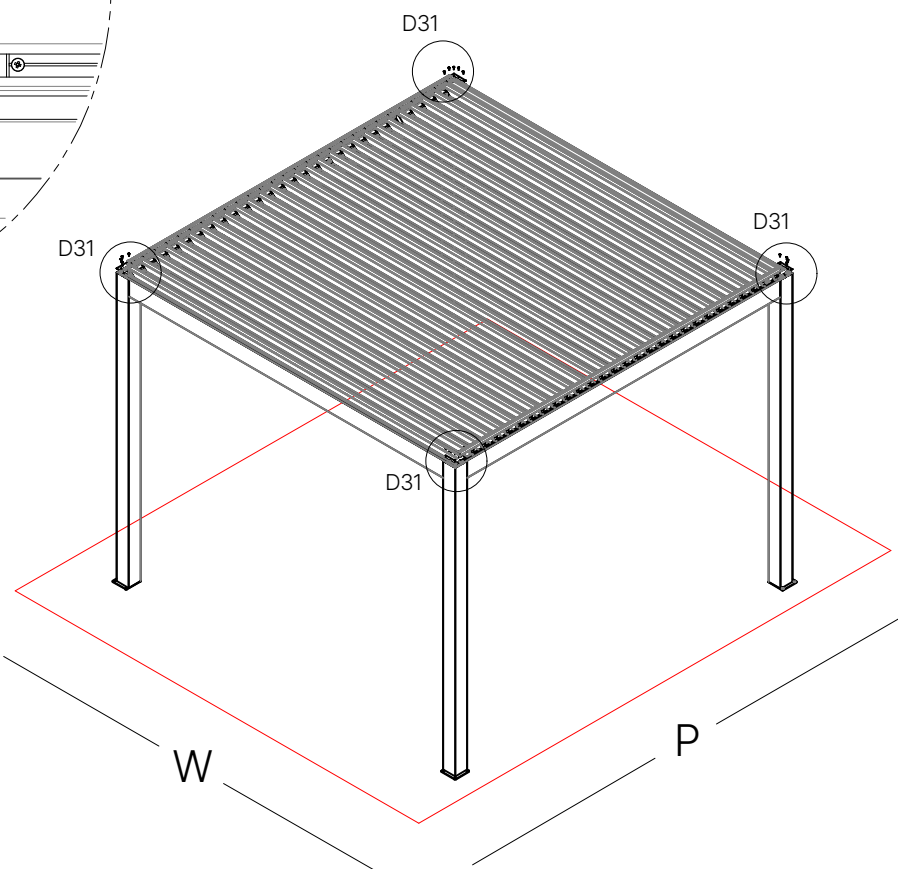
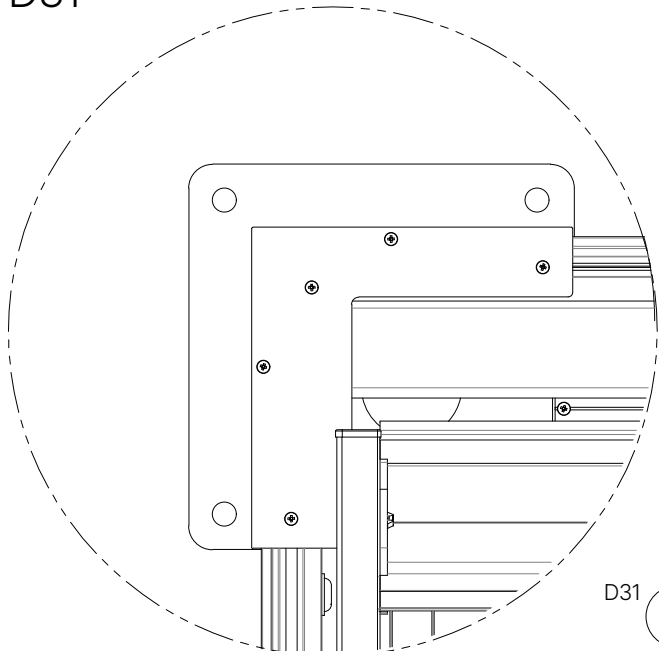
EM10100030



D31

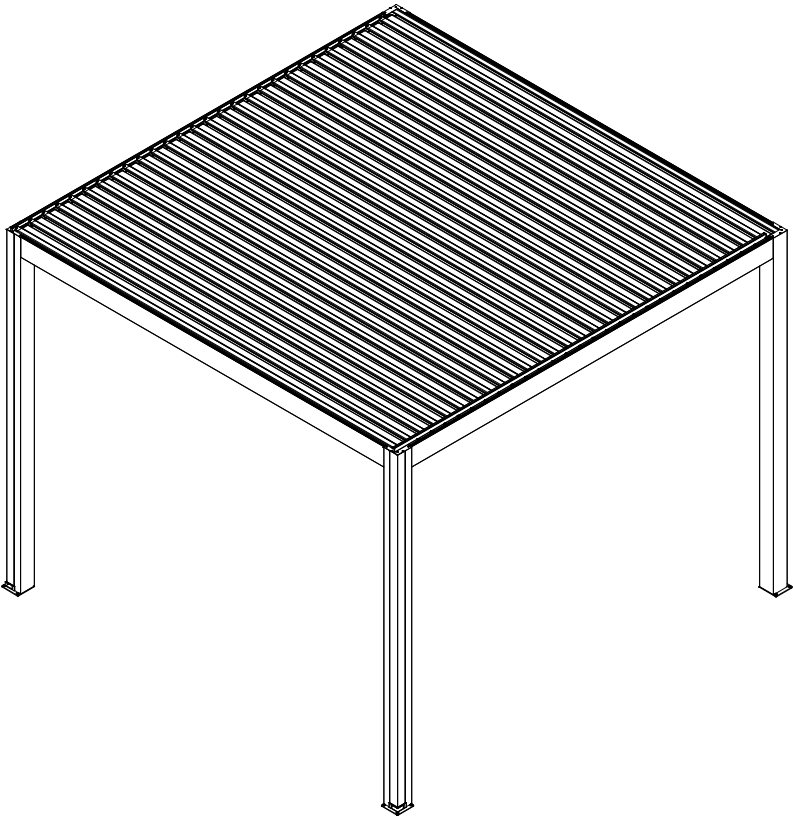


D31

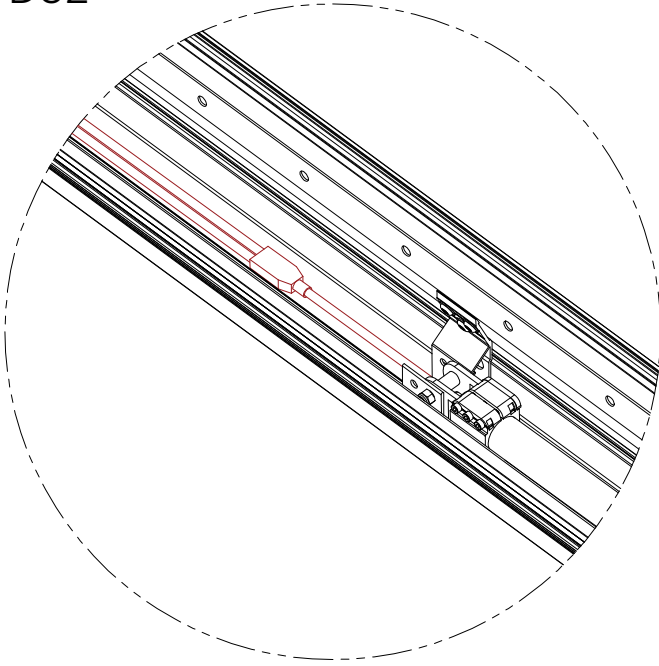


Corner covering plates are installed and screwed as above. The system is completed.

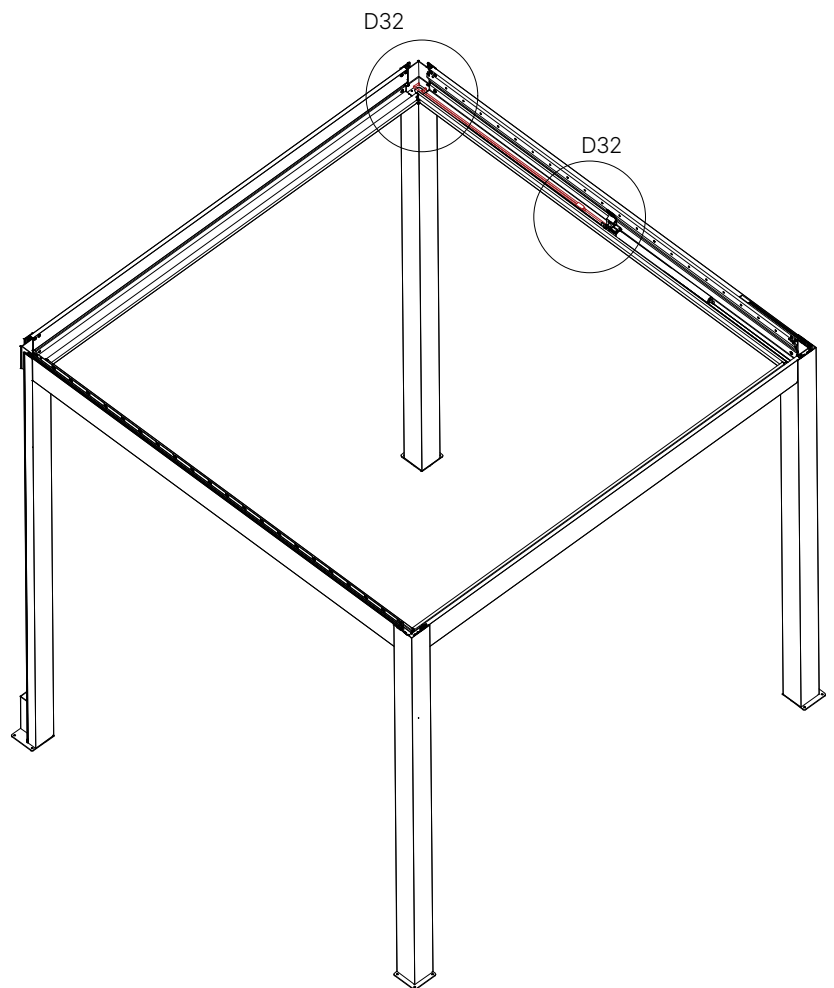
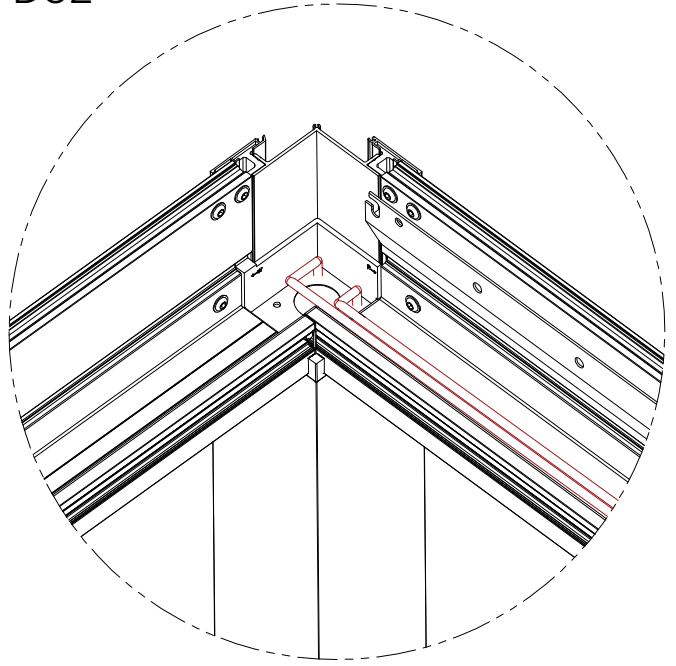
Chapter 1 : Led and Motor Cable Installation



D32

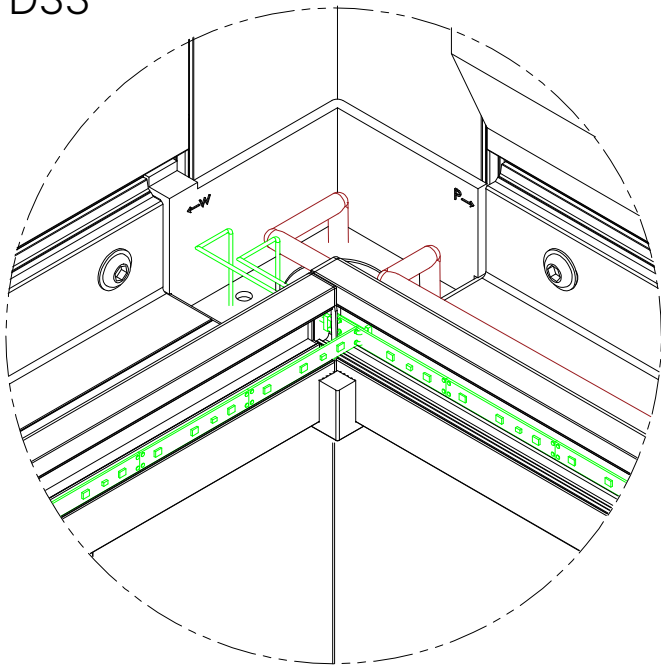


D32

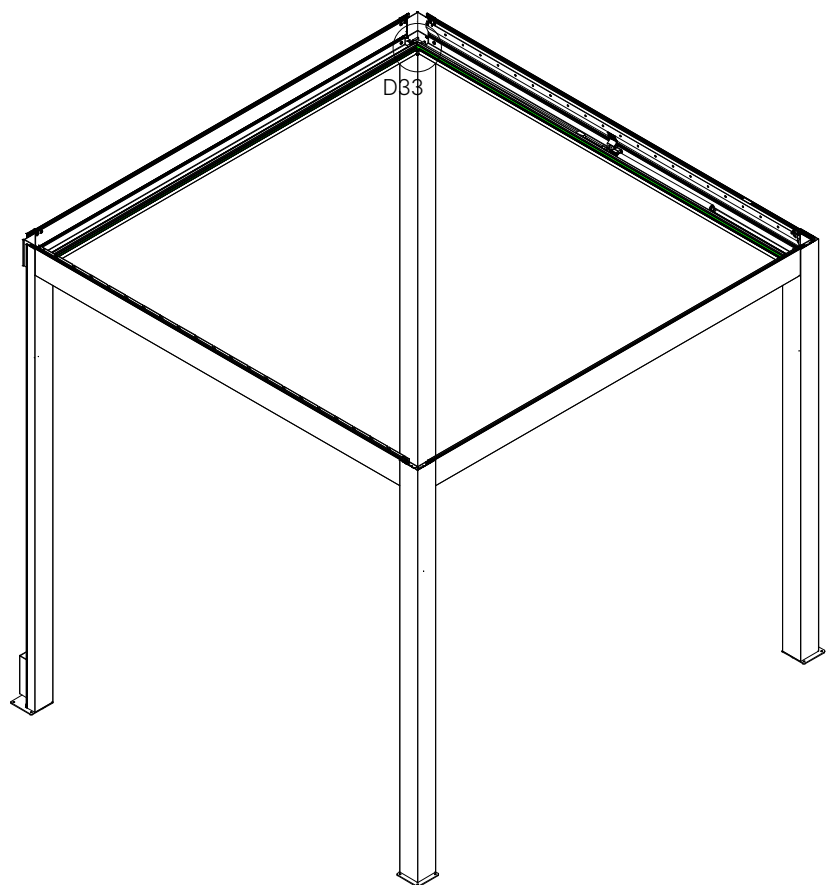
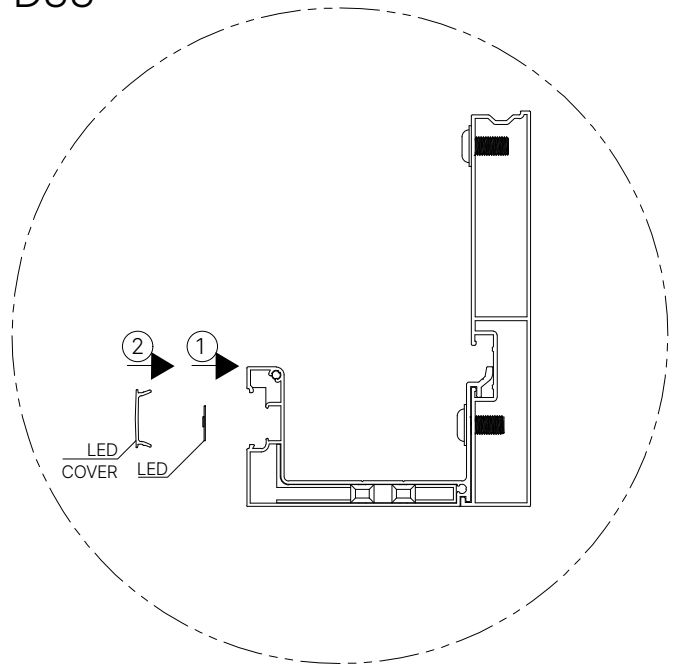


Two cables exiting from the motor are suspended down into the pillar through the designated cable exit points, inside the covered pillar.

D33

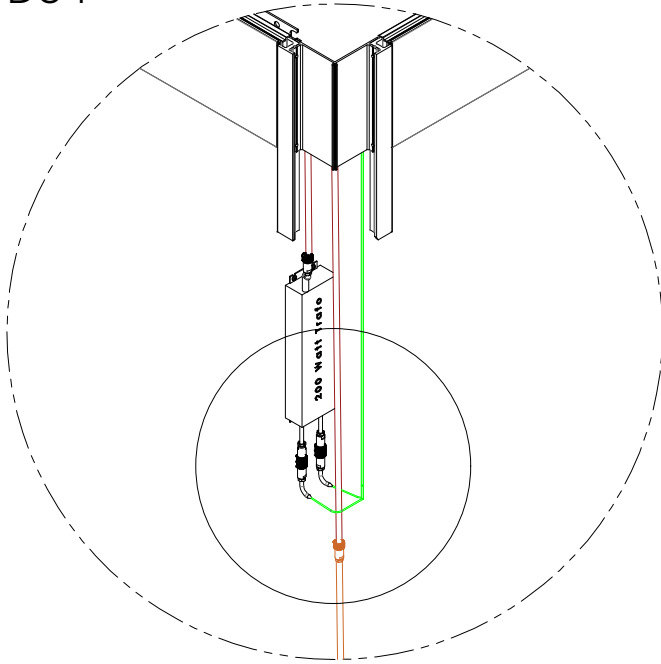


D33

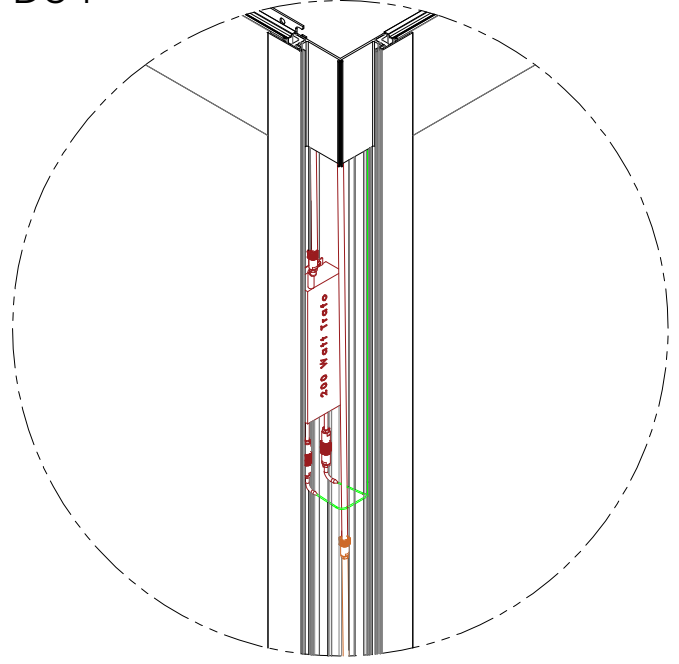


The LED application starts from the corner where the motor cables are connected and continues along the entire frame. The two cables belonging to the LED are suspended down from the single designated exit point on the seal. After the LED is installed, a PVC cover is placed over it.

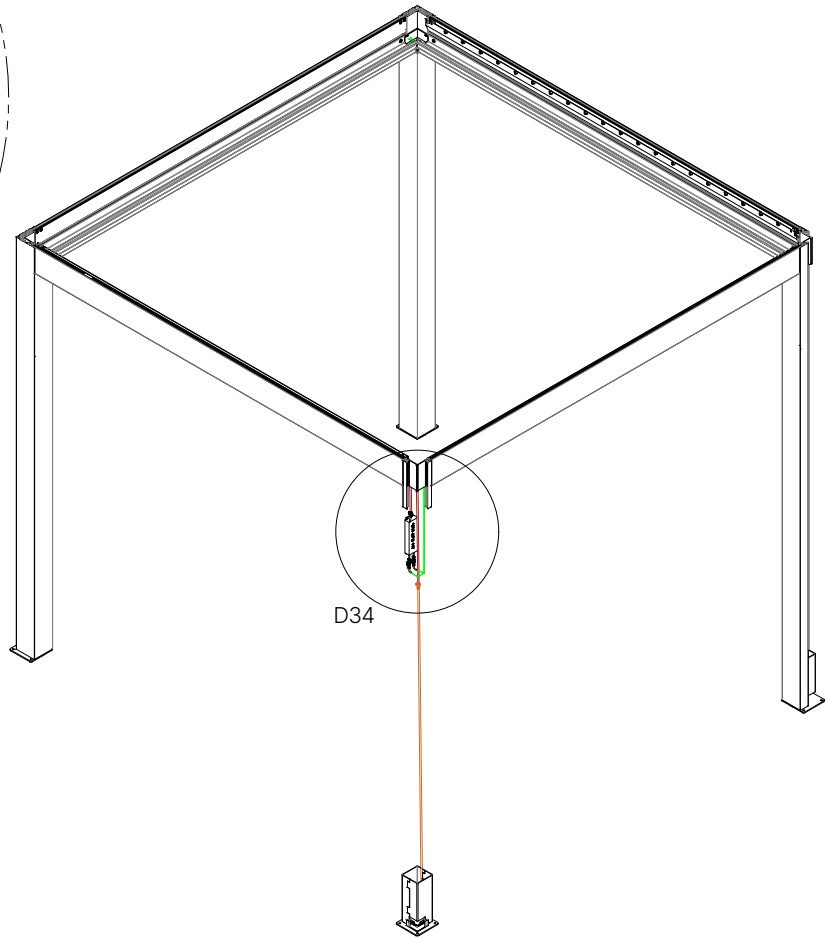
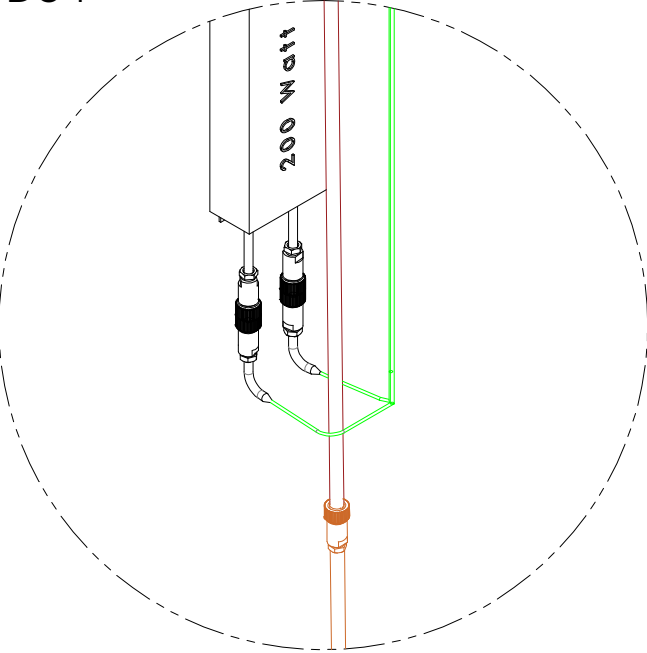
D34



D34



D34



The AC220V cable from the motor is connected to the mains line via a connector. The other cable is connected to the input section of the converter. The two cables from the LED are separately connected to the connectors on the output section of the converter.

Chapter 2 : Electrical Wiring

