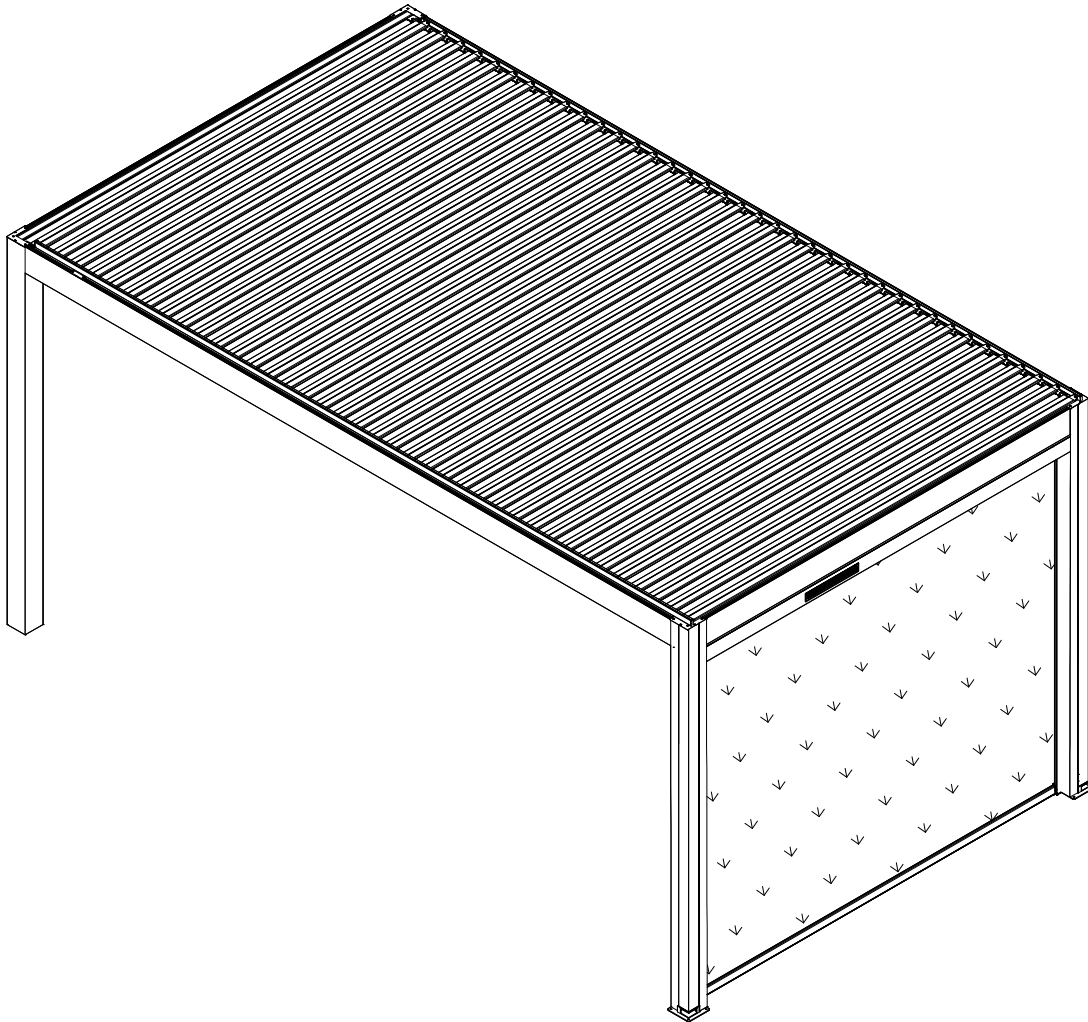
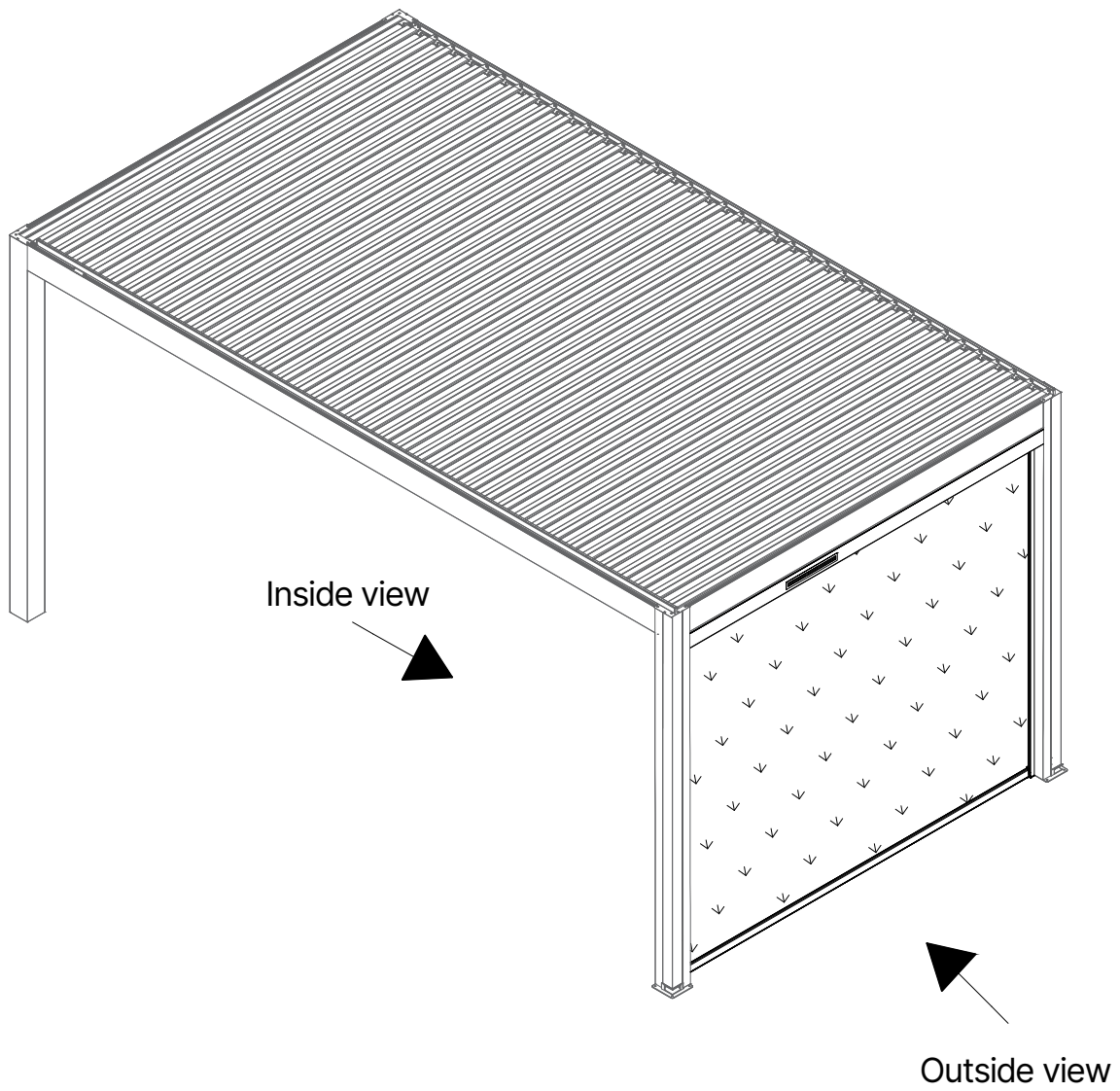


Solar Screen

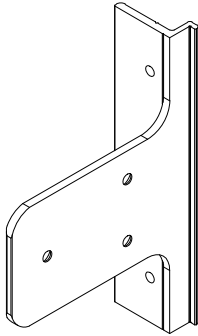


# CHAPTER 1 : INSTALLATION OF THE SOLAR SCREEN



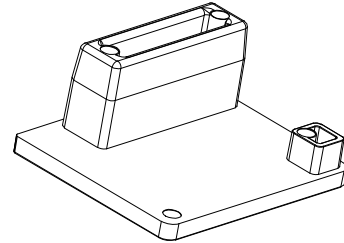
# Solar Screen Accessories

EM07200061



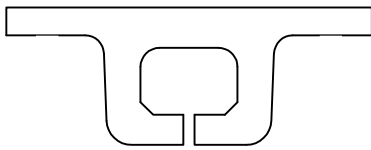
2x

EM06100161



2x

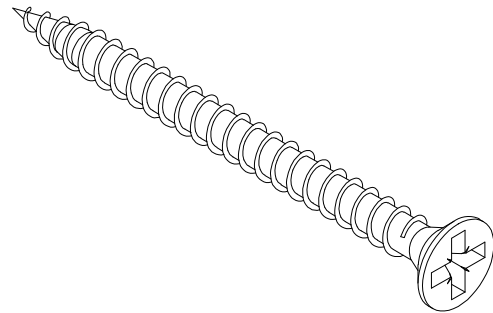
EM06100162



2x

EM10100008

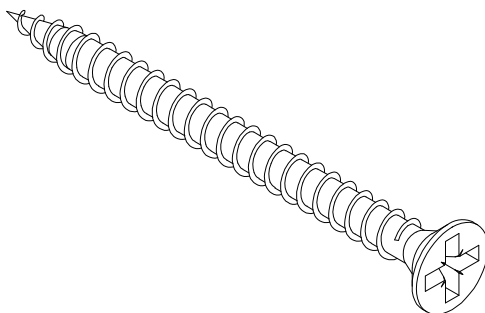
3,9x25mm (0.15"x1") Screw



14x

EM10100013

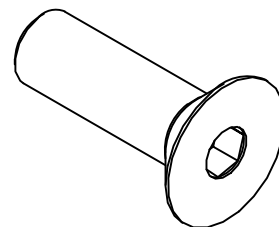
3,9x38 mm (0.15"x1-1/2") Screw



4x

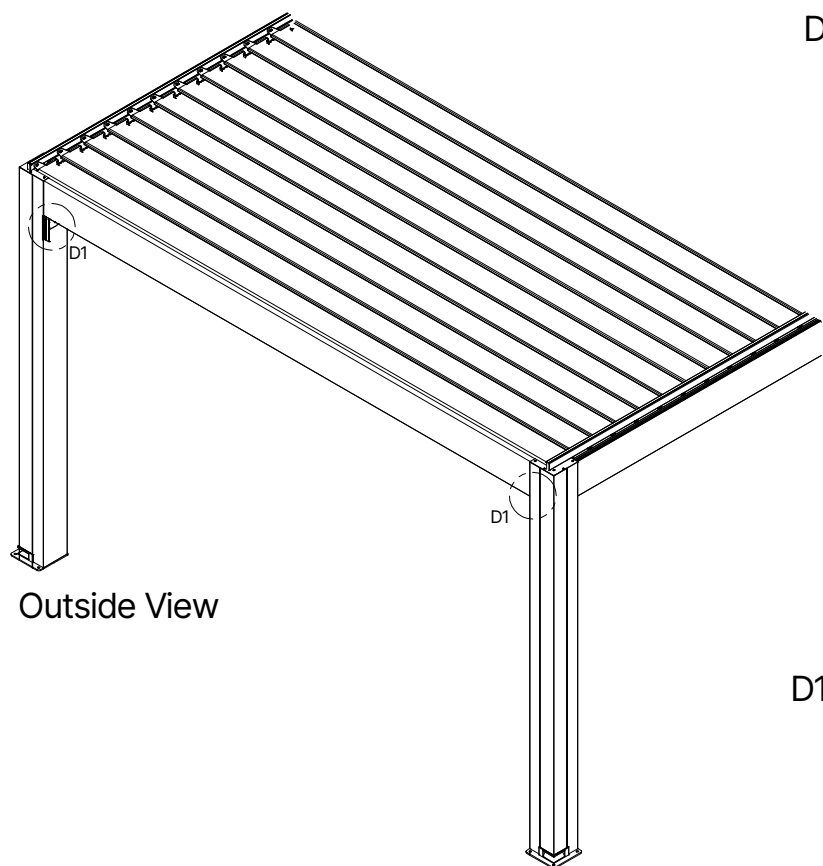
EM10100010

M5X16 (5x16mm, ~3/16"x5/8") Bolt

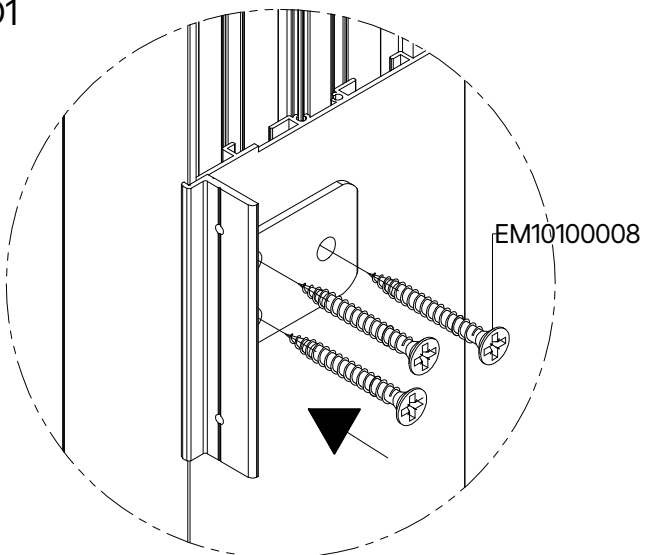


8x

D1

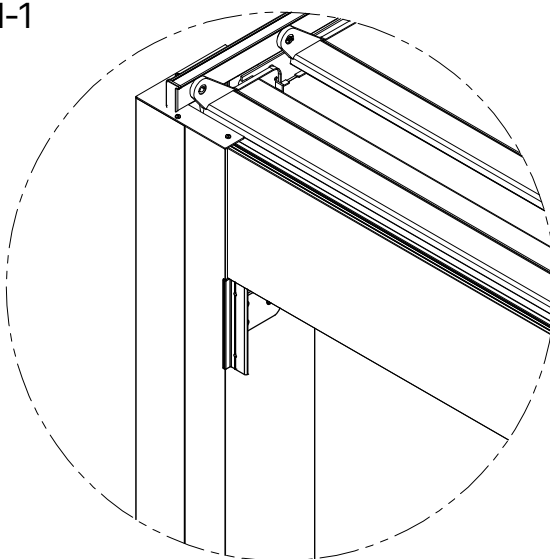


Outside View

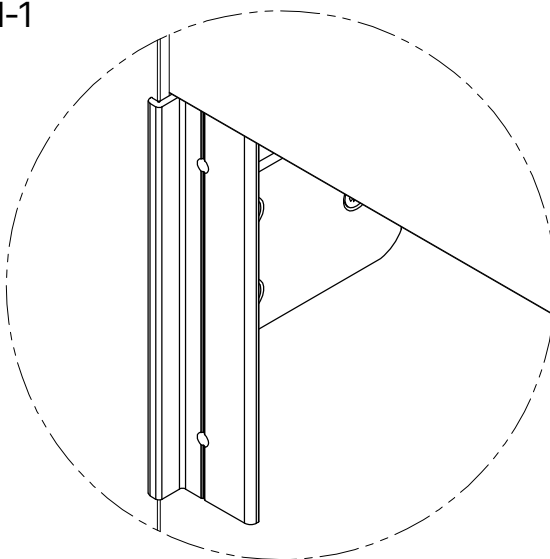


EM10100008

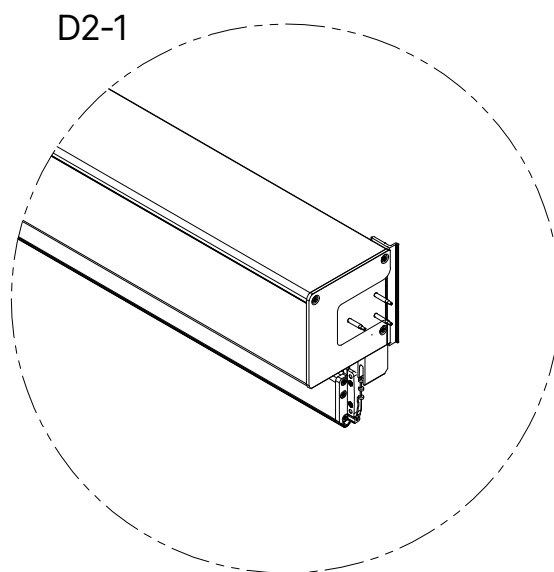
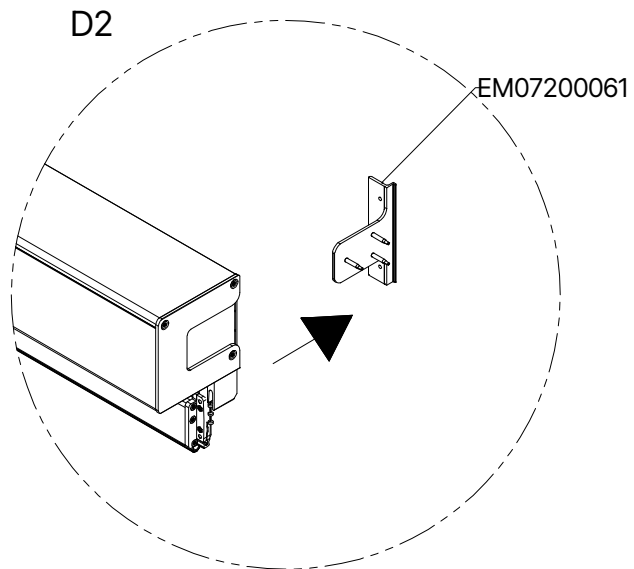
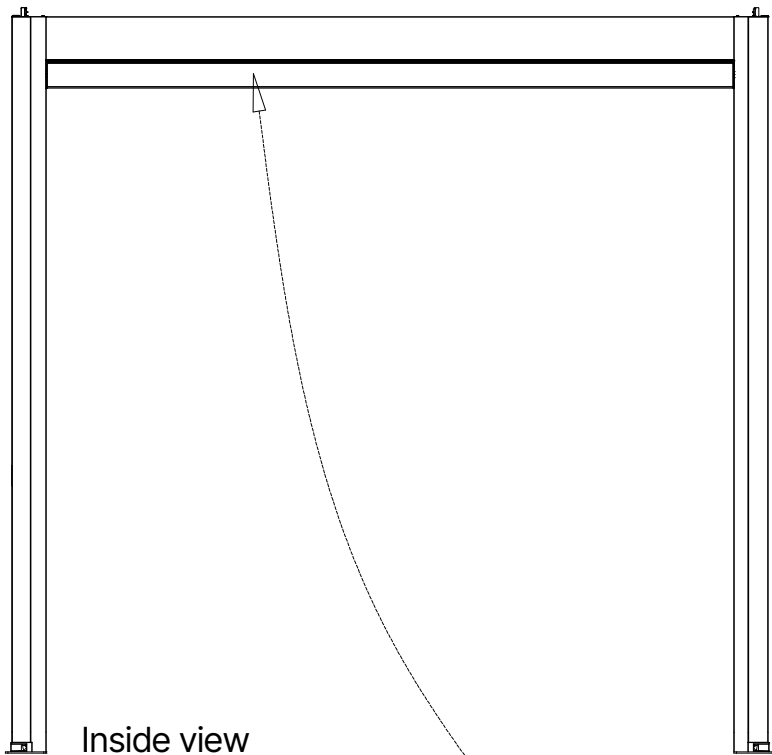
D1-1



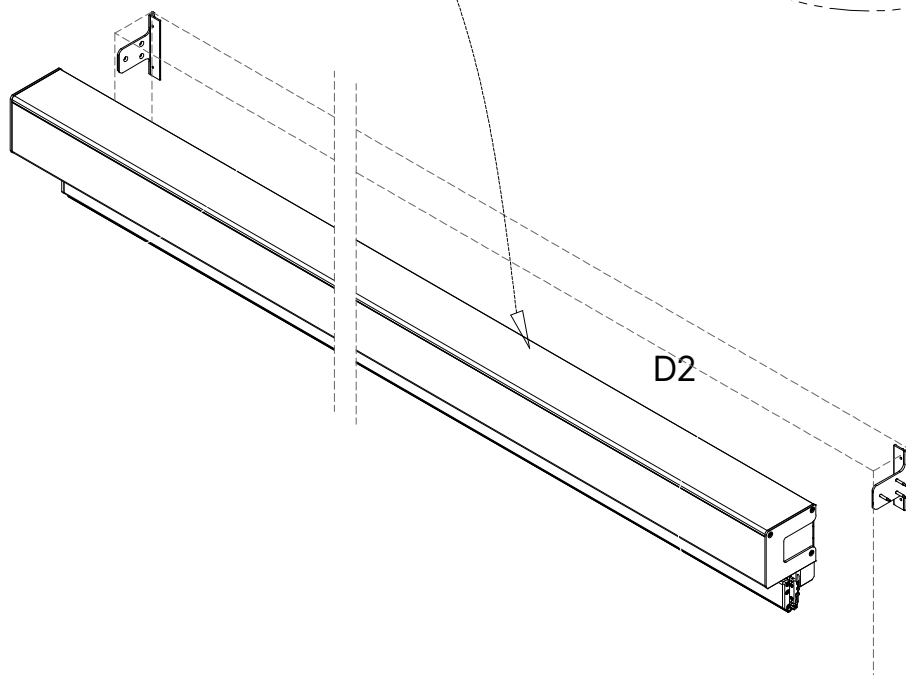
D1-1



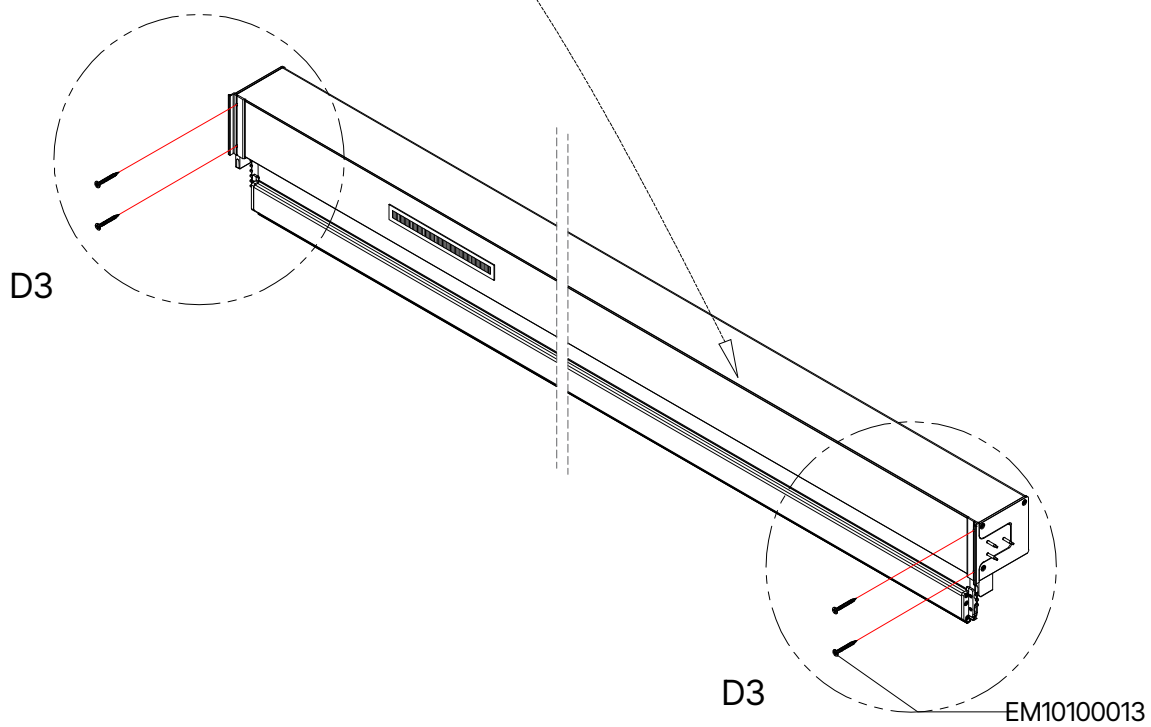
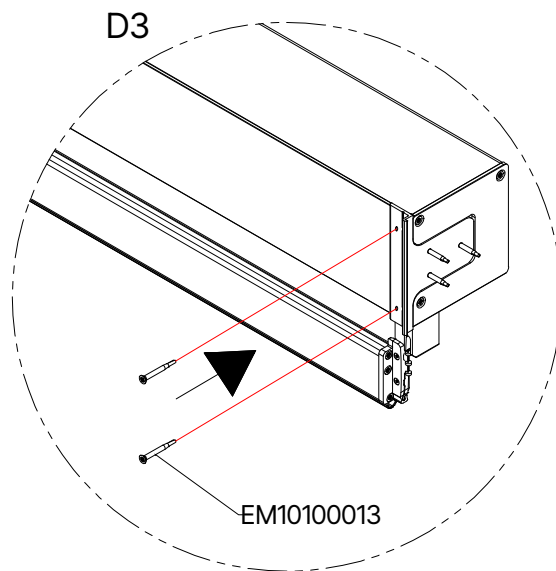
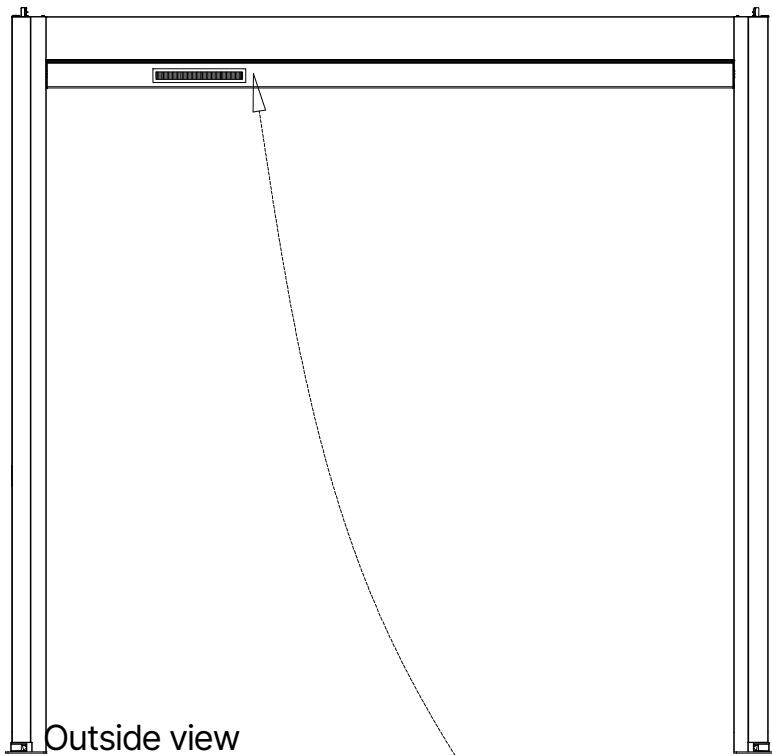
The hanger brackets to be used in the system are taken as a guide from the corner of the pillar to be mounted and under the gutter and screwed to the pillars with 3.9x25mm (0.15"x1") screws.



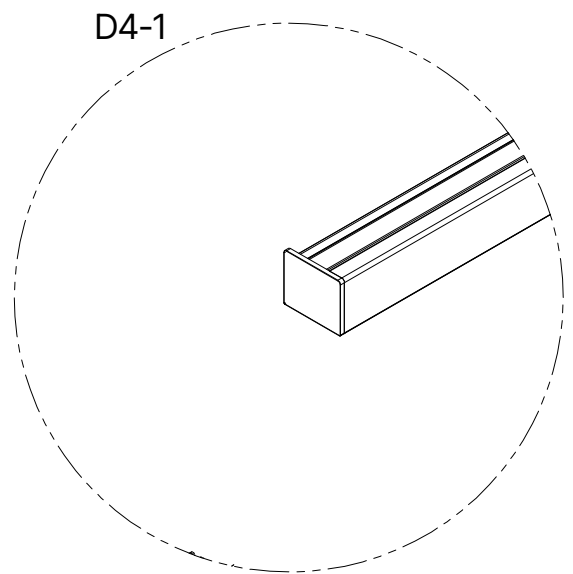
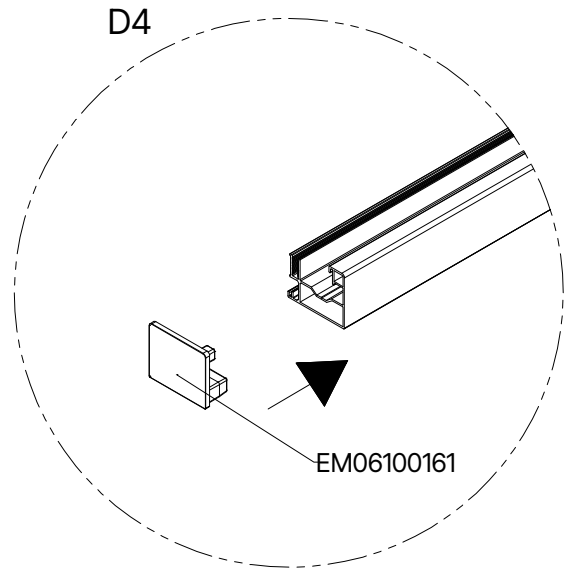
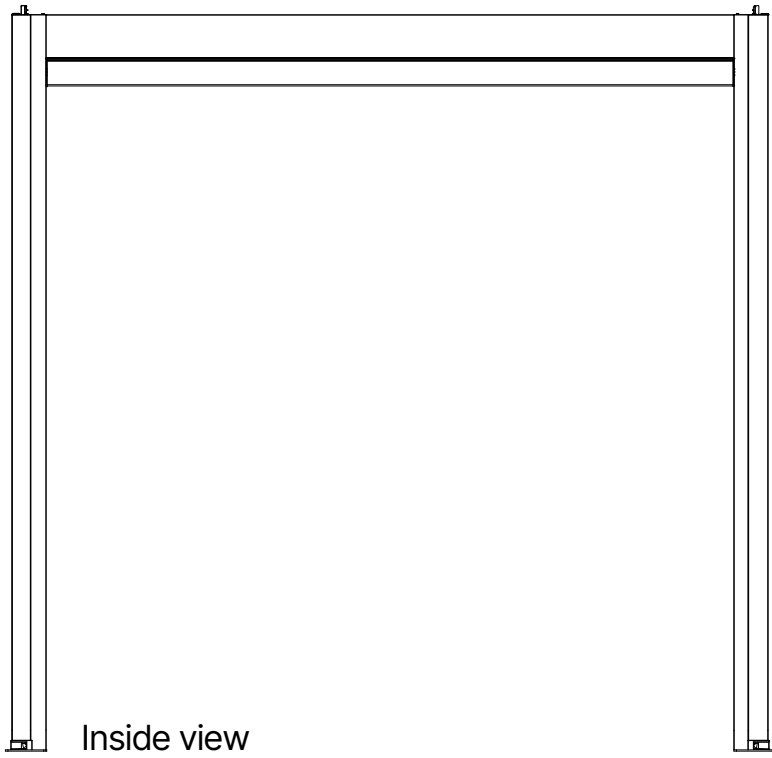
D2



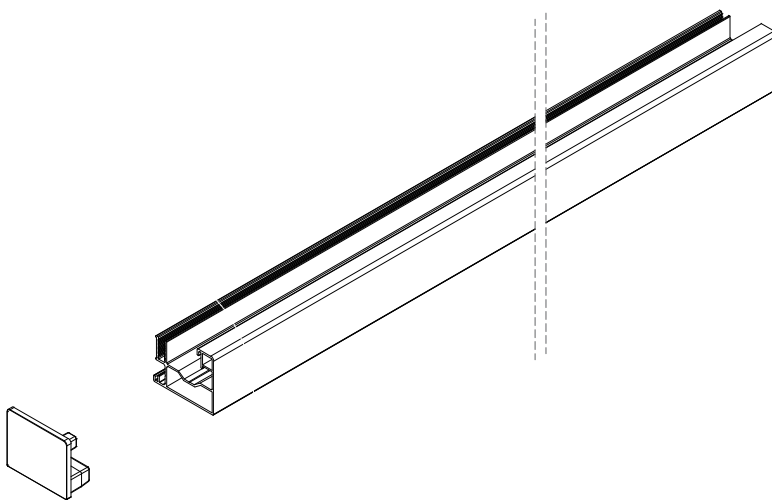
The Solar Screen casing, which comes ready-made from the package, is mounted on the brackets mounted on the pillars, as shown in Detail 2.



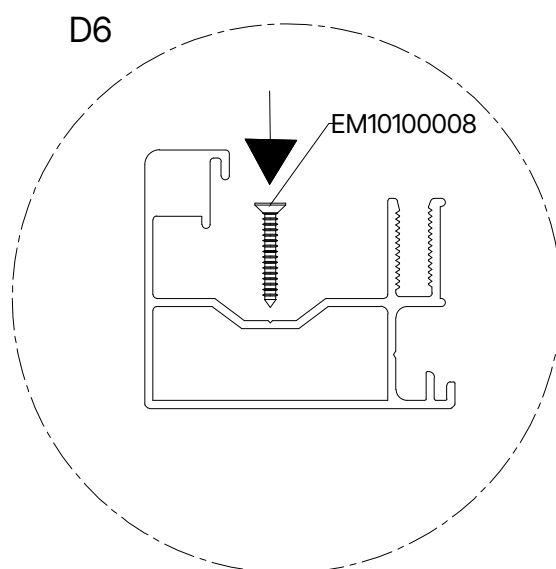
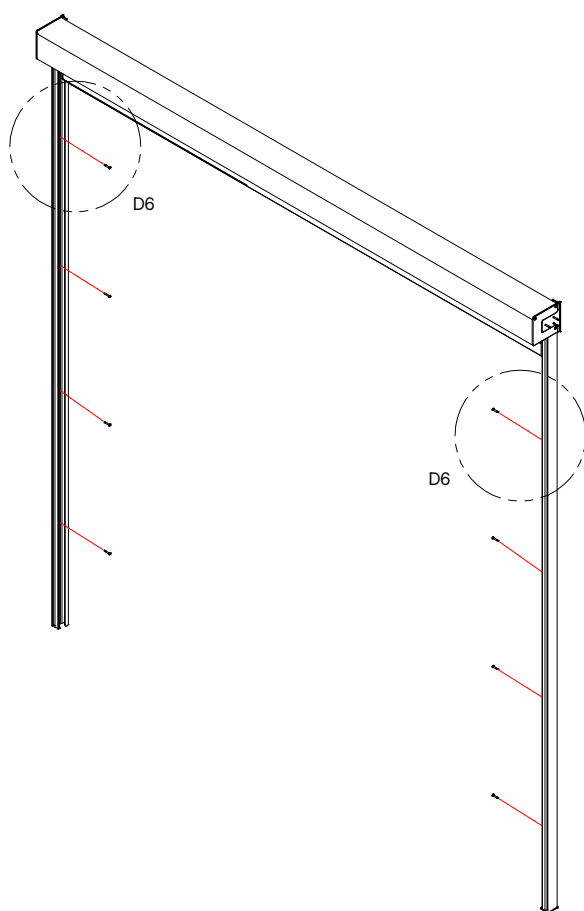
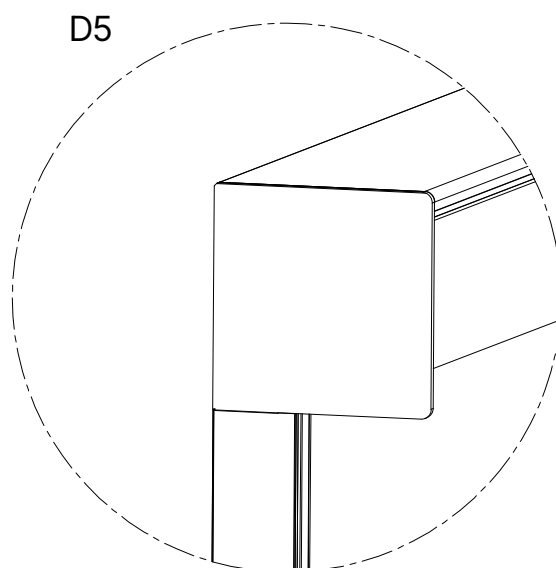
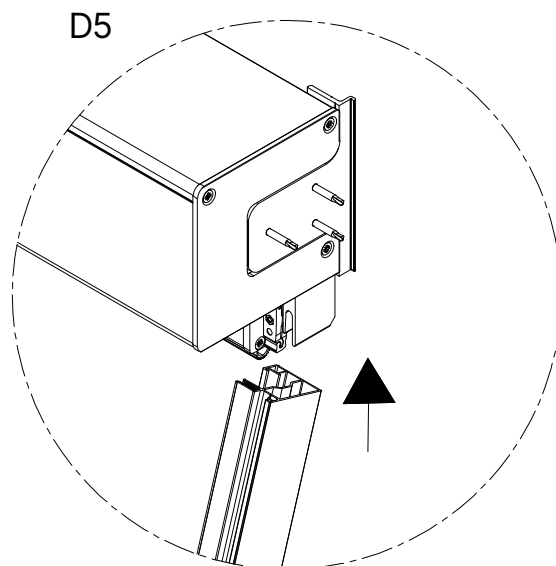
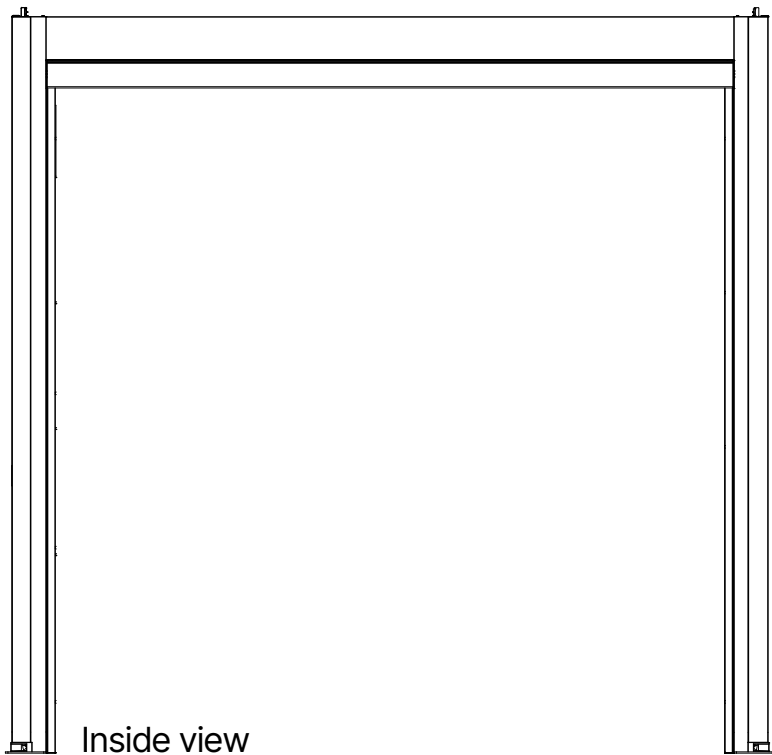
After assembly as shown in Detail 2, the Solar Screen case is fixed with 3.9x38mm (0.15"x1-1/2") screws from the screw holes behind the brackets as shown in Detail 3.



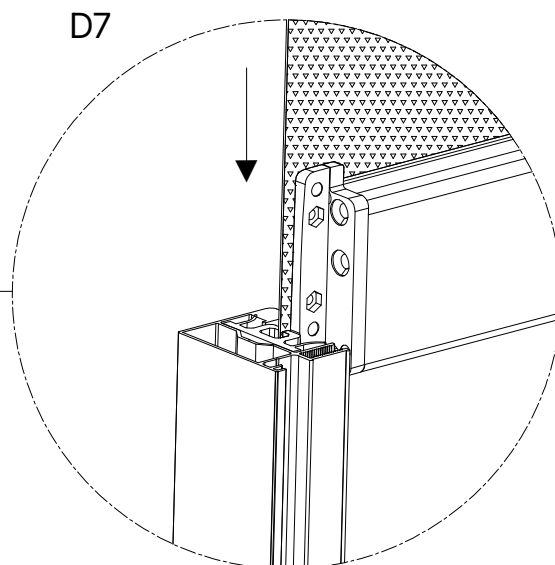
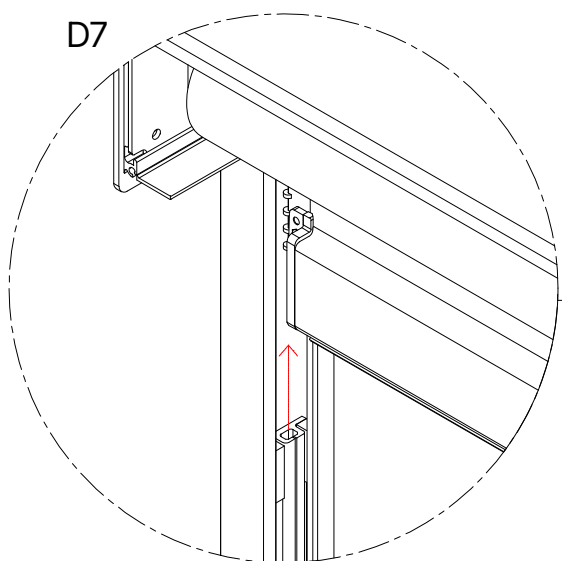
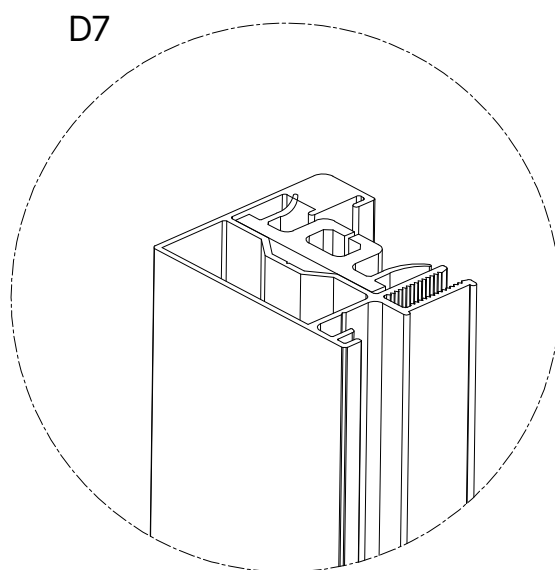
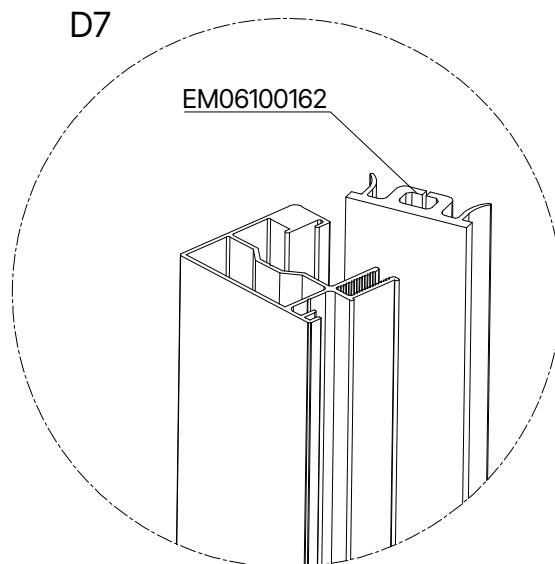
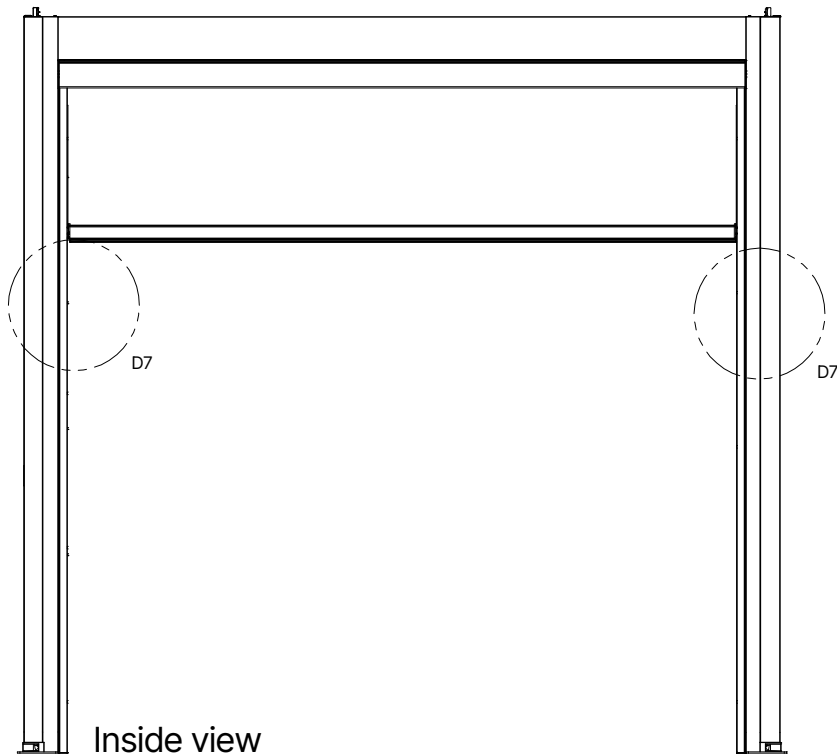
D4



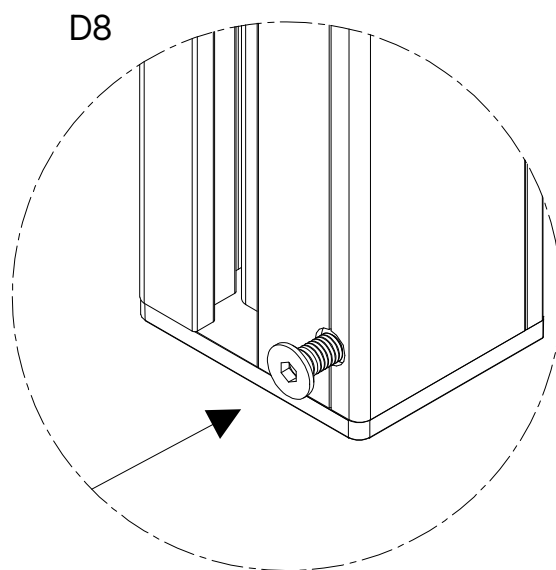
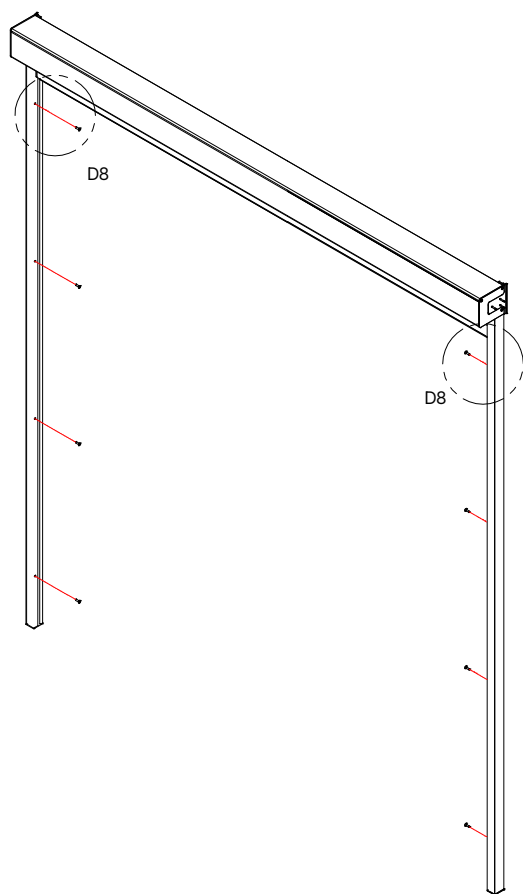
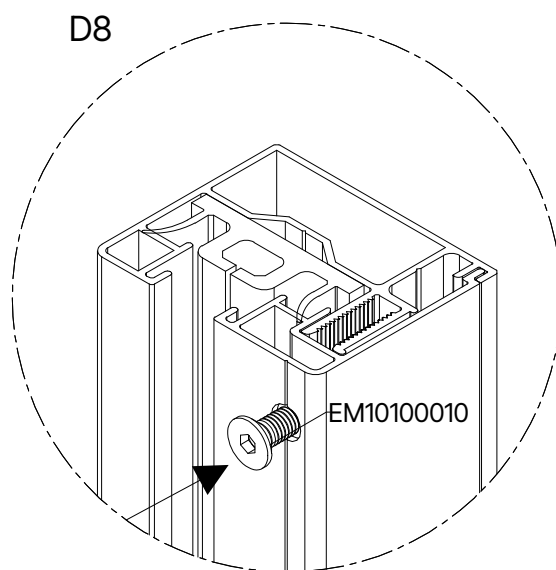
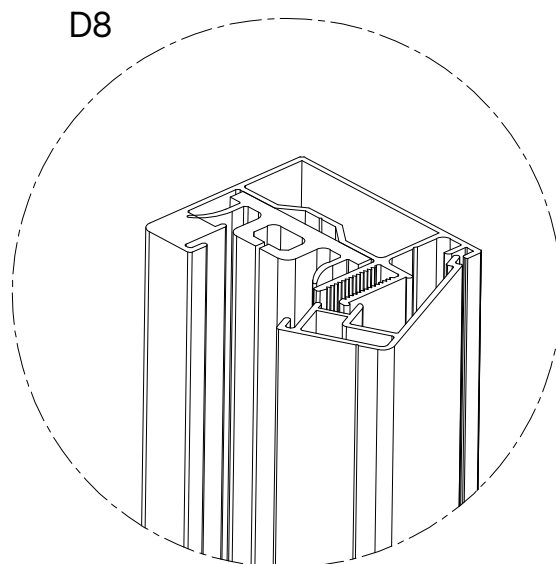
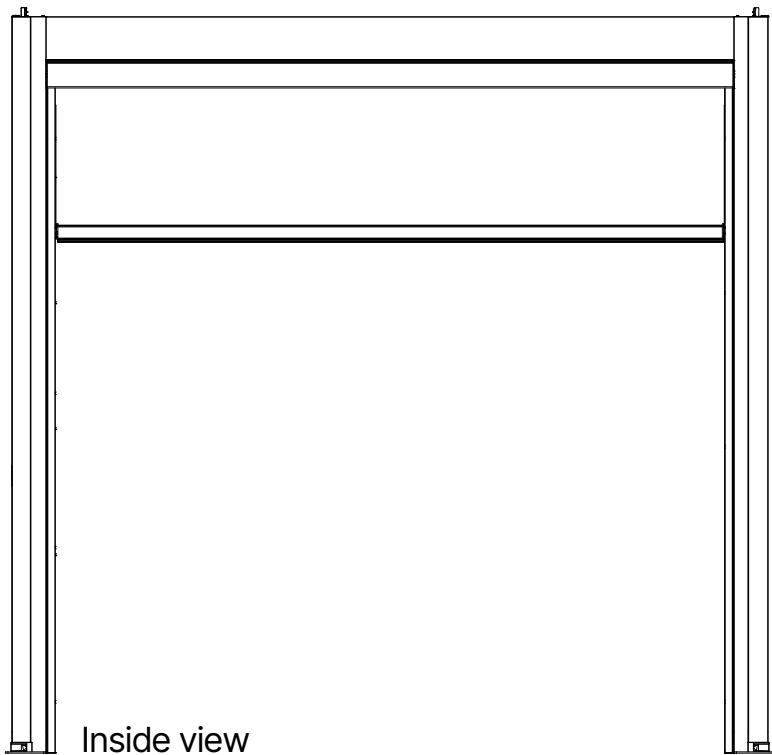
Before installing the pillars, the pillar bottom plastics are installed as shown in Detail 4.



The pillars are placed into their slots at an angle, as shown in Detail 5. Solar Screen pillars are fixed with 3.9x25mm (0.15"x1") screws as shown in Detail 6.



PVC fabric guiding profile is installed into the pillar profile. Fabrics roll down to the middle of the system's height and passes through the pvc guiding channel.



After the pvc is installed, the pillar cover is placed in place as shown in Detail 8. The pillar cover is fixed in place with M5x16mm (~3/16"x5/8") bolts as shown in Detail 9.

