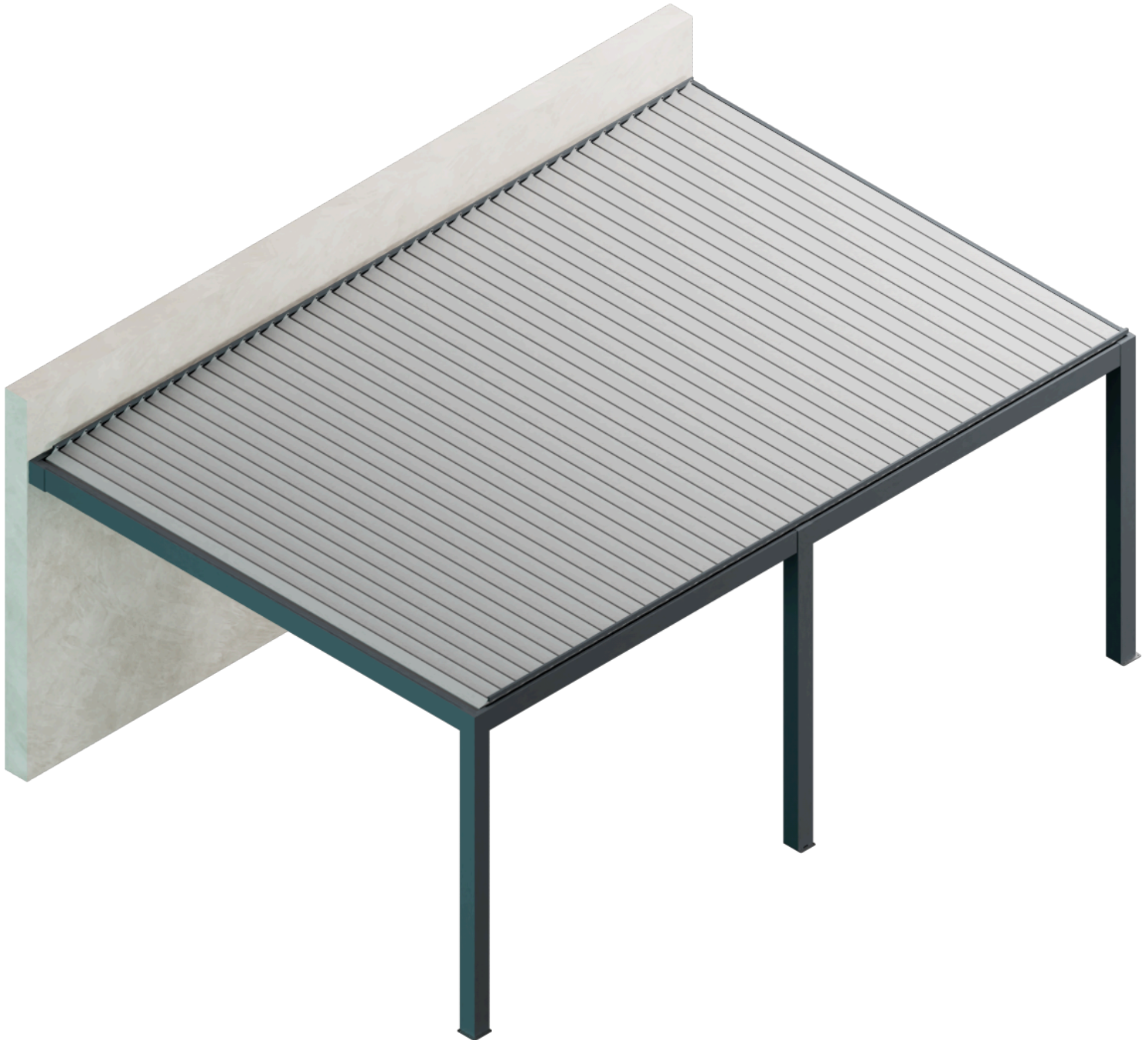


EG ALUMINUM
INSTALLATION CATALOGUE

WALL-MOUNTED

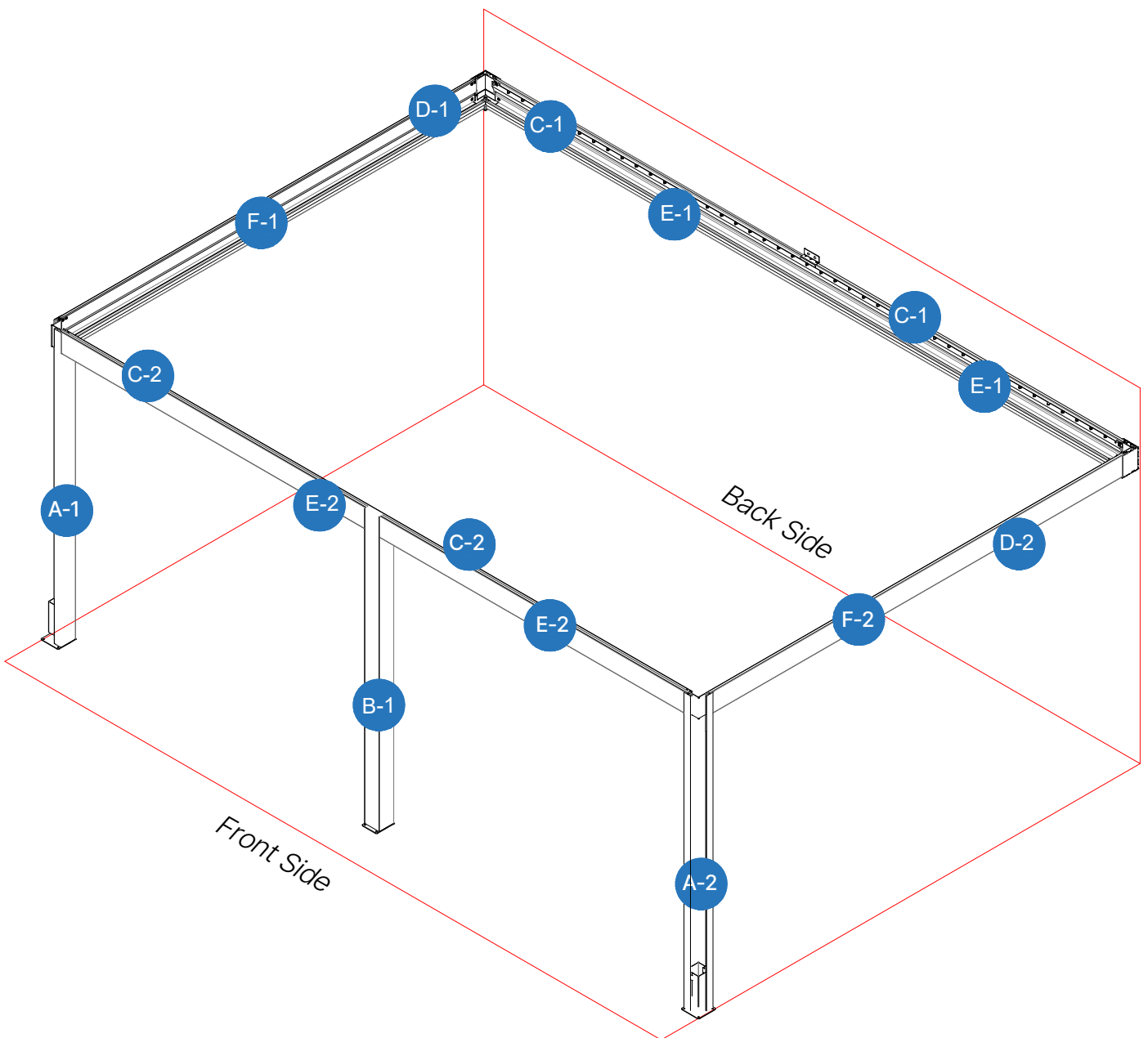
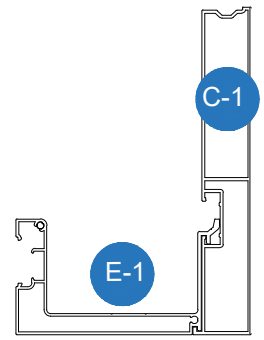
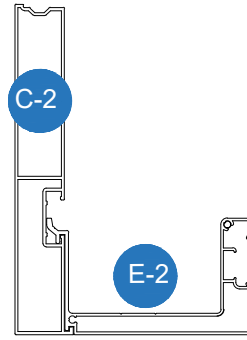
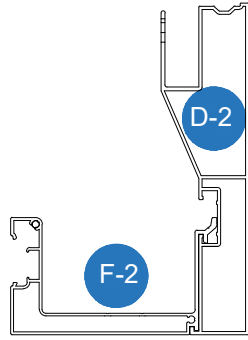
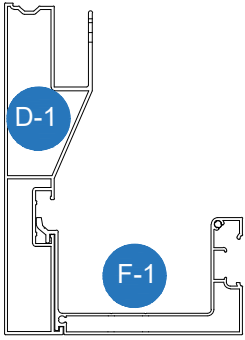
CM-1.3.2502



PERGOLA MEZZO

EN

13'x19' System



W: System Width

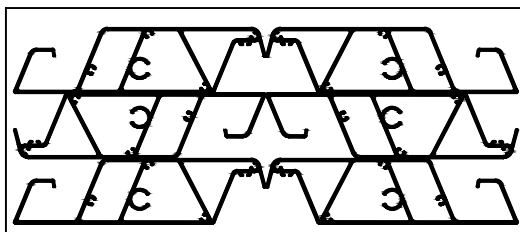
P : System Projection

Contents

Box Contents for 4x6 System	1-2
Necessary Tools for The Ecoclimatic System	3
Ecoclimatic Profiles For First Step	4
Ecoclimatic Accessories For First Step.....	5-9
Ecoclimatic First Step : Making Frame	10-26
Ecoclimatic Profiles For Second Step	27
Ecoclimatic Accessories For Second Step.....	28-31
Ecoclimatic Second Step : Preparing Blades	32
Ecoclimatic Second Step : Preparing Motor Blades	33
Ecoclimatic Second Step : Mounting Roof	34-43
Led Installation	44-47
Electrical Wiring	48-50

Box Contents for 4x6 System

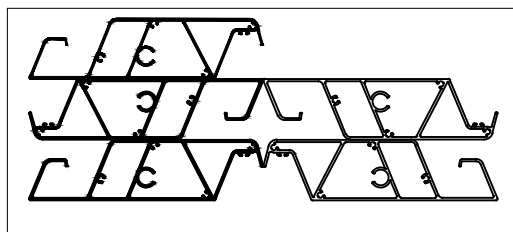
L3



M7400X6

6x

L6



M7400X5

1x

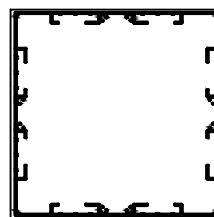
L4



M7400X2

2x

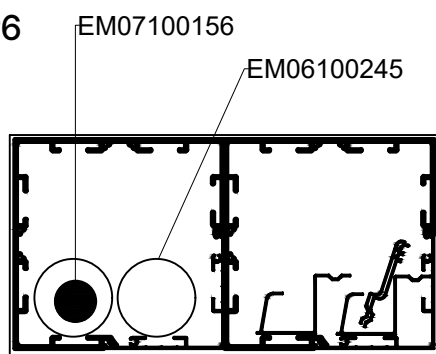
P9



M7137 x1

1x

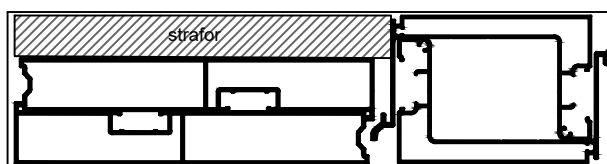
P6



M7037 (A1-A2) x2
 M7028 (A1-A2) x2
 EM07100156 x1
 EM06100245 x2
 M7030 x2
 M7029 x2

1x

F3

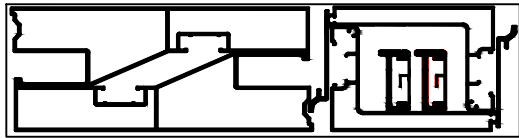


M7033 x2
 M7034 x2

1x

Box Contents for 4x6 System

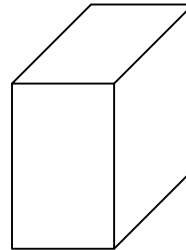
F9



M7035 (D1-D2) x2
M7033 (F1-F2) x2
M7031 x2
M7201 x2

1x

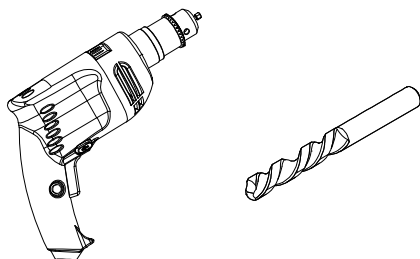
A13



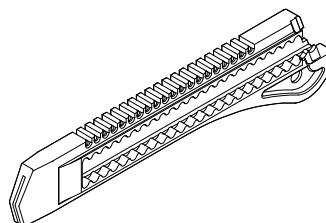
1x

Necessary Tools for The Ecoclimatic System

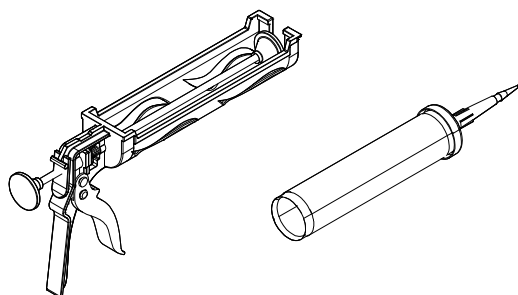
Cordless Drill & Drilling Bit (8 mm / 5/16")



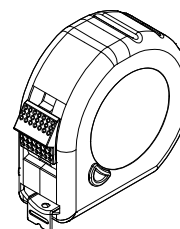
Carpet Knife



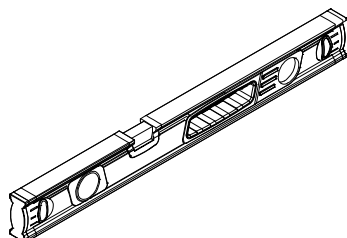
Silicon Gun & Silicon



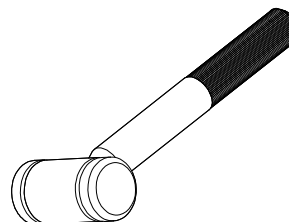
Tape Measure



Water Level

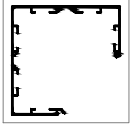


Knob



Ecoclimatic Profiles For First Step

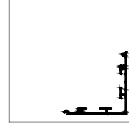
M7037



A-1 A-2

For 13x19' systems : 2 pcs

M7028



A-1 A-2

For 13x19' systems : 2 pcs

M7033



E-1 E-2 F-1 F-2

For 13x19' systems : 4 pcs

M7034



C-1 C-2

For 13x19' systems : 2 pcs

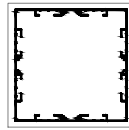
M7507



D-1 D-2

For 13x19' systems : 2 pcs

M7137

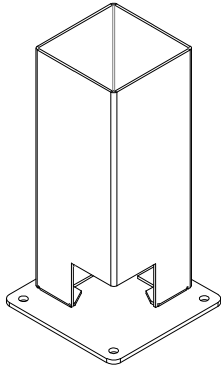


B-1

For 13x19' systems : 1 pcs

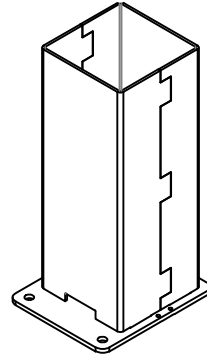
Ecoclimatic Accessories For First Step

EM07100104



For 13'x19' systems : 2 pcs

EM07100202

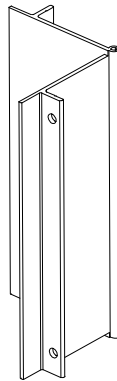


For 13'x19' systems : 1 pcs

EM07200028



This product has a direction

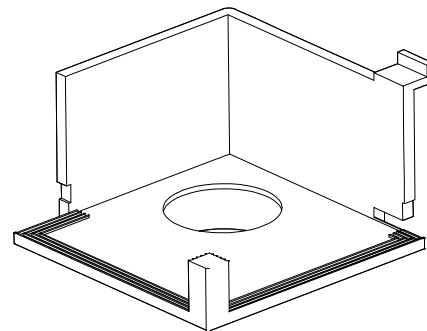


For 13'x19' systems : 2 pcs

EM06100186

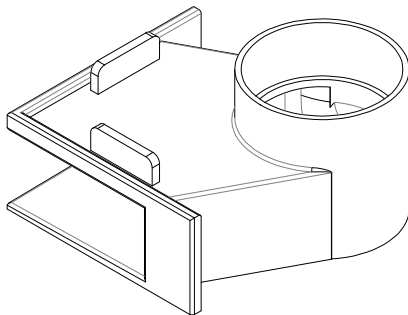


This product has a direction



For 13'x19' systems : 2 pcs

EM06100229 - (Black)
EM06100295 - (White)



For 13'x19' systems : 2 pcs

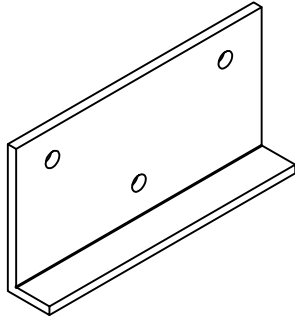
EM06100245



For 13'x19' systems : 2 pcs

Ecoclimatic Accessories For First Step

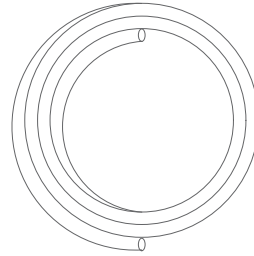
EM07200080



For 13'x19' systems : 1 pcs

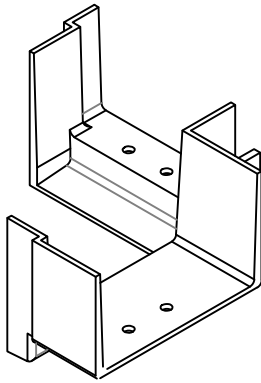
EM06200059

15 mm cord



For 13'x19' systems : 1 pcs

EM06100292

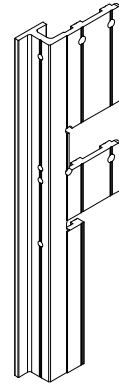


For 13'x19' systems : 2 pcs

EM07200027

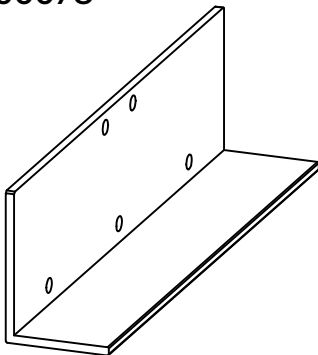


This product has a direction



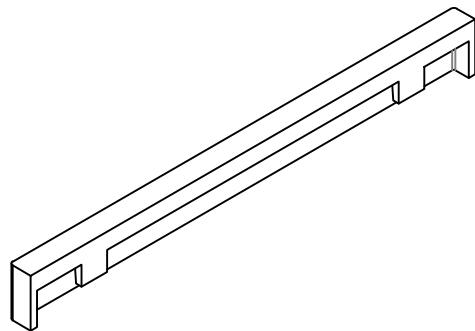
For 13'x19' systems : 4 pcs

EM07200078



For 13'x19' systems : 1 pcs

EM06100284



For 13'x19' systems : 1 pcs

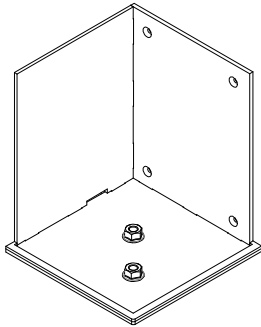
Ecoclimatic Accessories For First Step

"WALL MOUNTED ACCESSORIES"

EM07300204

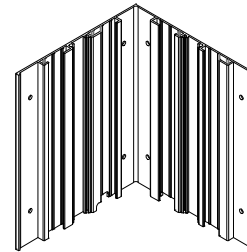


This product has a direction



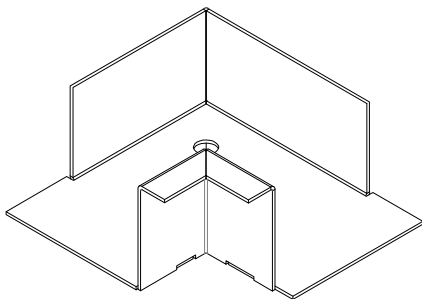
For 13'x19' systems : 2 pcs

EM07300206



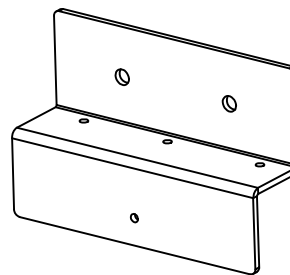
For 13'x19' systems : 2 pcs

EM07300205



For 13'x19' systems : 2 pcs

EM07200079

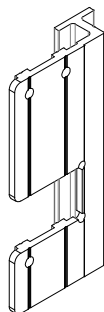


For 13'x19' systems : 1 pcs

EM07200071



This product has a direction

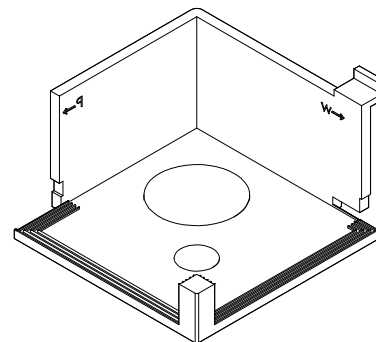


For 13'x19' systems : 4 pcs

EM06100284



This product has a direction

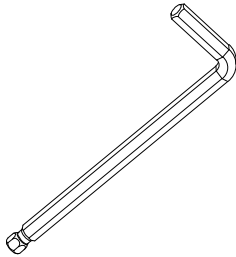


For 13'x19' systems : 2 pcs

Ecoclimatic Accessories For First Step

Allen Key -

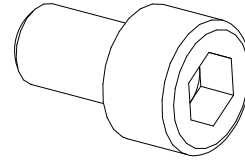
EM13000062 & EM13000063



For 13'x19' systems : 1 pcs

EM10200025

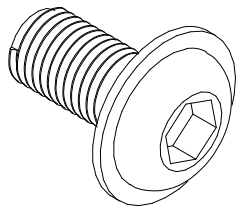
M6x12 Imbus



For 13'x19' systems : 8 pcs

EM10200006

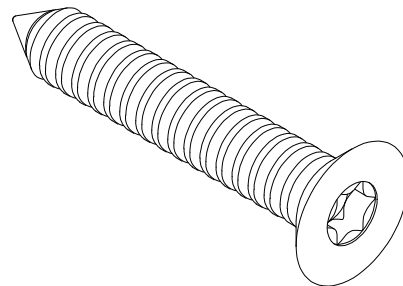
M8X12 Bolt



For 13'x19' systems : 12 pcs

EM10100005

7,5x100 mm Buldex Screw

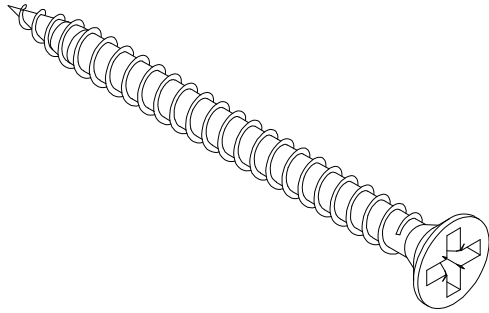


For 13'x19' systems : 6 pcs

Ecoclimatic Accessories For First Step

EM10100017

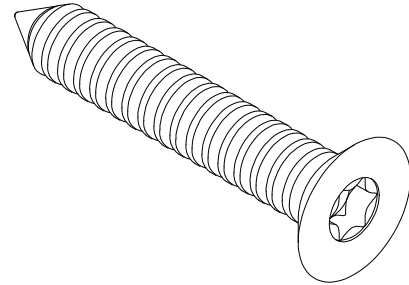
3,9x38mm Screw



For 13'x19' systems : 14 pcs

EM10100028

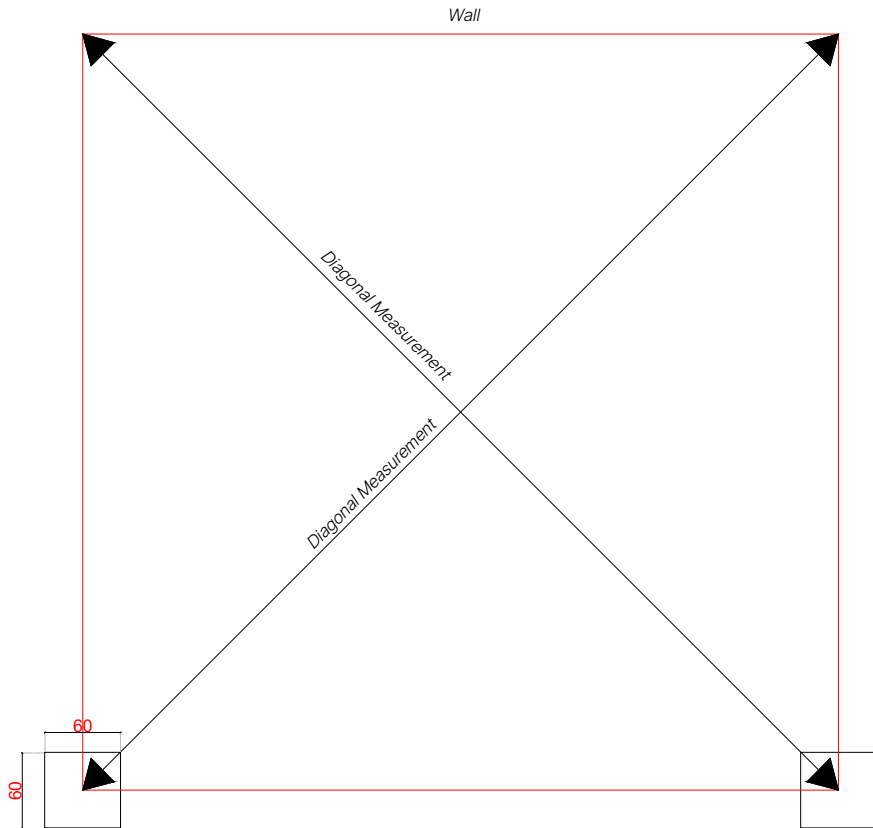
7,5x60 mm Buldex Screw



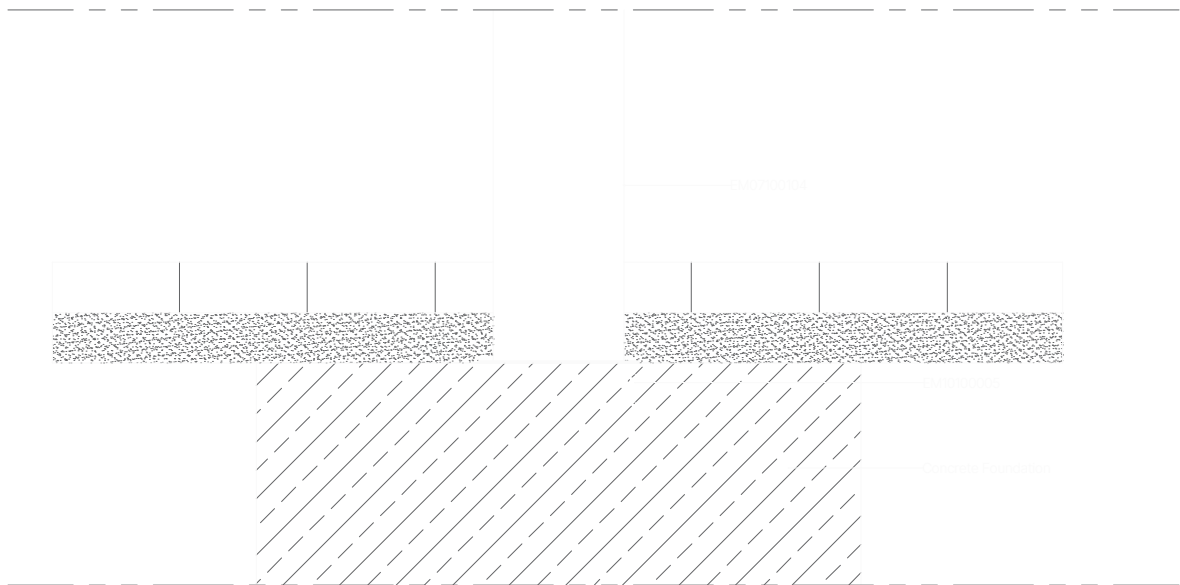
For 13'x19' systems : 5 pcs

*The ground where the system is to be installed must be level.

*The locations where the system's columns are to be positioned must have reinforced ground.



If your system is 13'x19', then the diagonal measurement should be 706.1 cm (278").

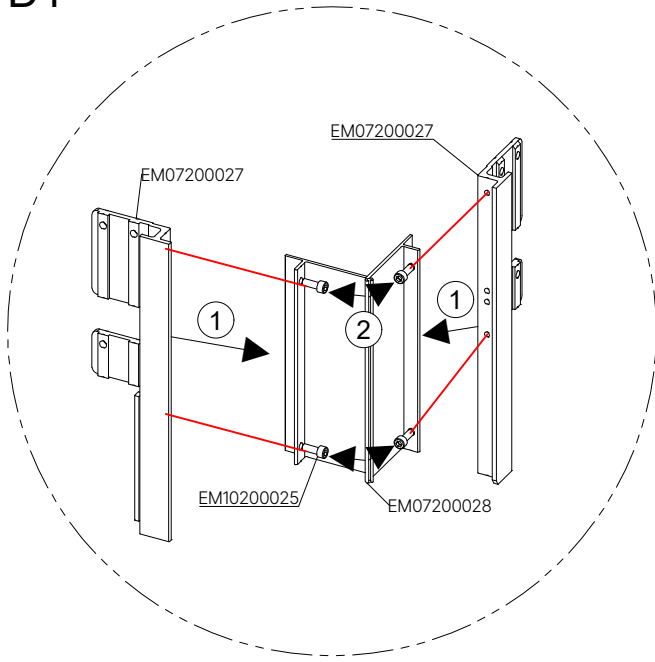


Section Detail

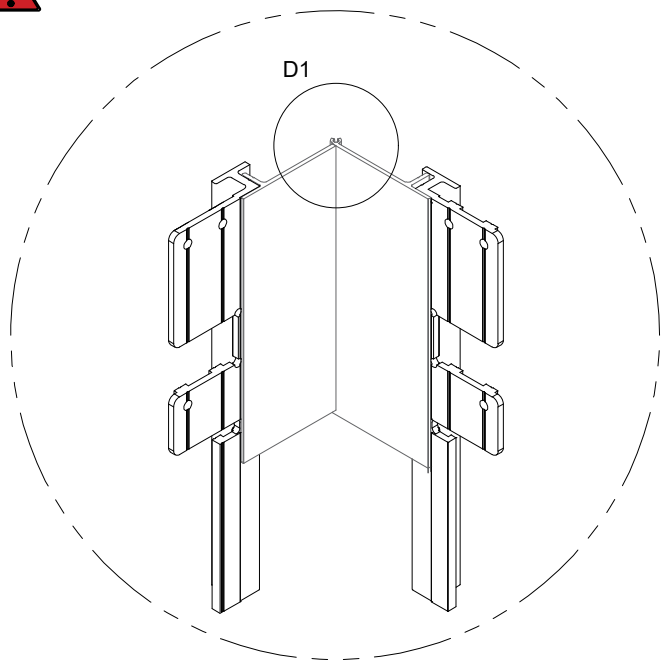
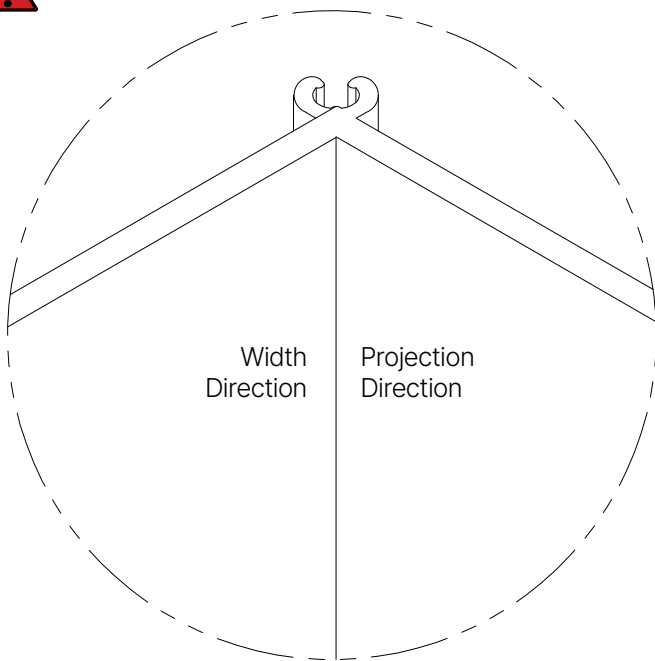
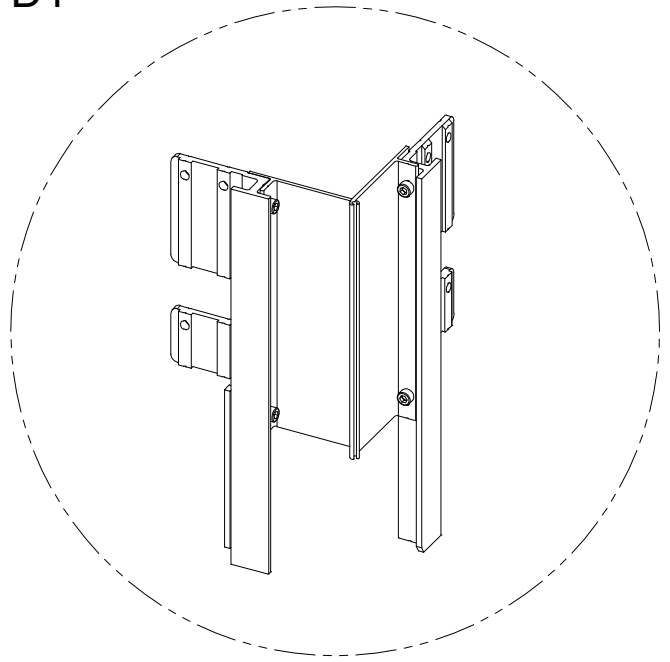
To ensure maximum durability of your pergola against environmental conditions, we recommend reinforcing the surface where the structure will be installed. In this regard, it is advisable to create reinforced point foundations measuring 60x60x80 cm (23.6"x23.6"x31.5") and secure your pergola to these foundations using anchor bolts (EM10100005). Alternatively, you can also screw your pergola directly into patio surfaces such as stone or wooden decking

Ecoclimatic First Step : Making Frame

D1



D1

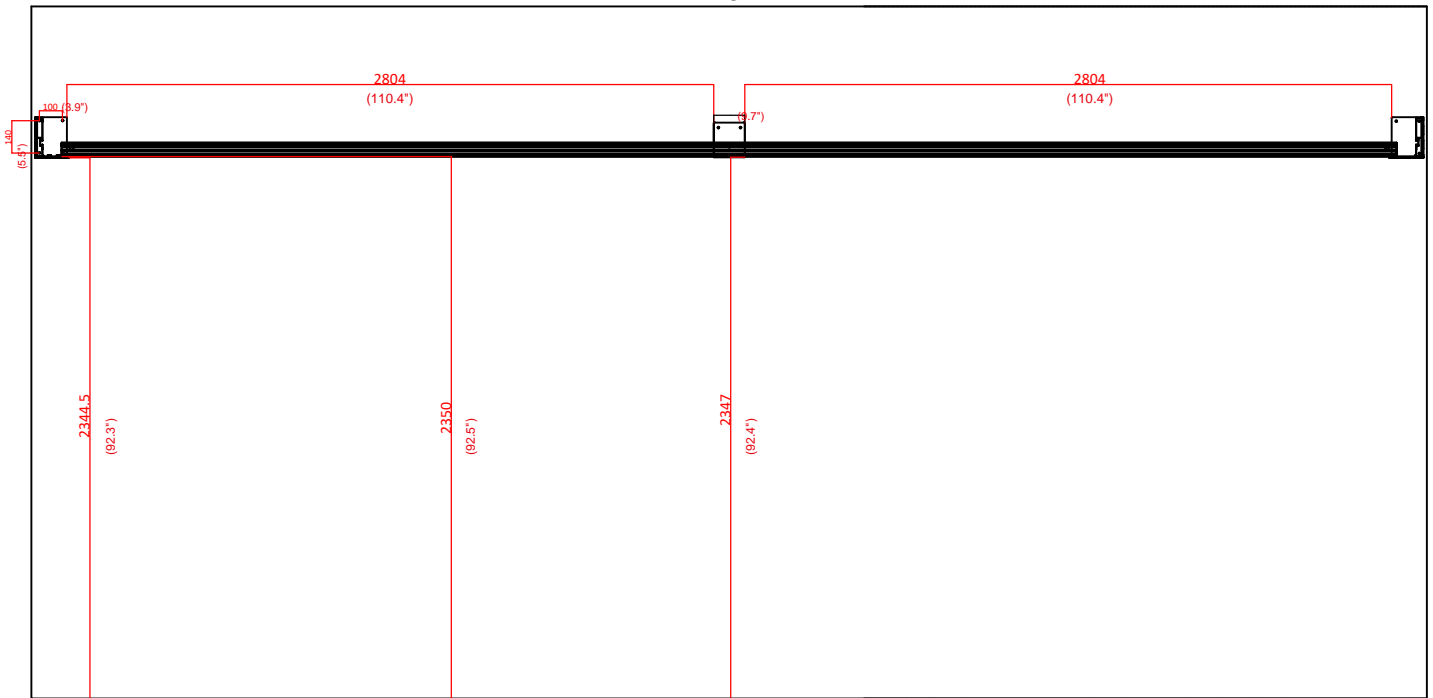


EM07200027 and EM07200028 are screwed together and 2 sets are prepared in this way.



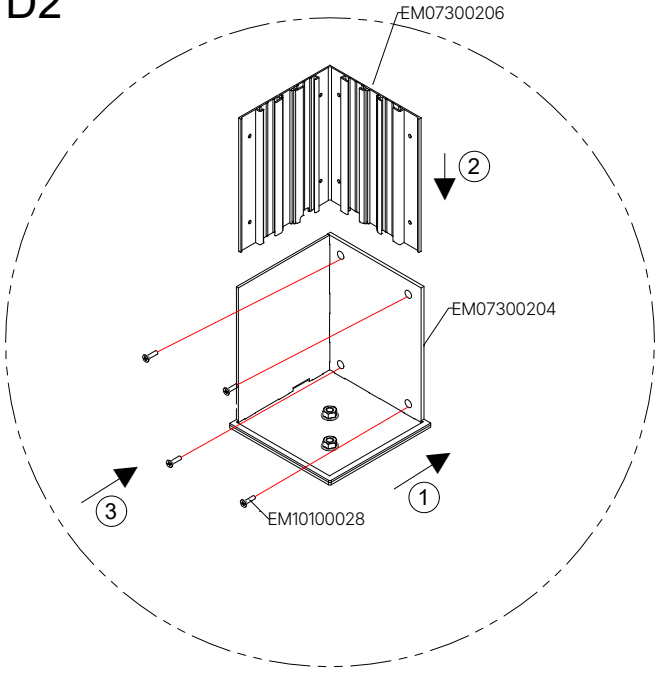
Attention

Wall

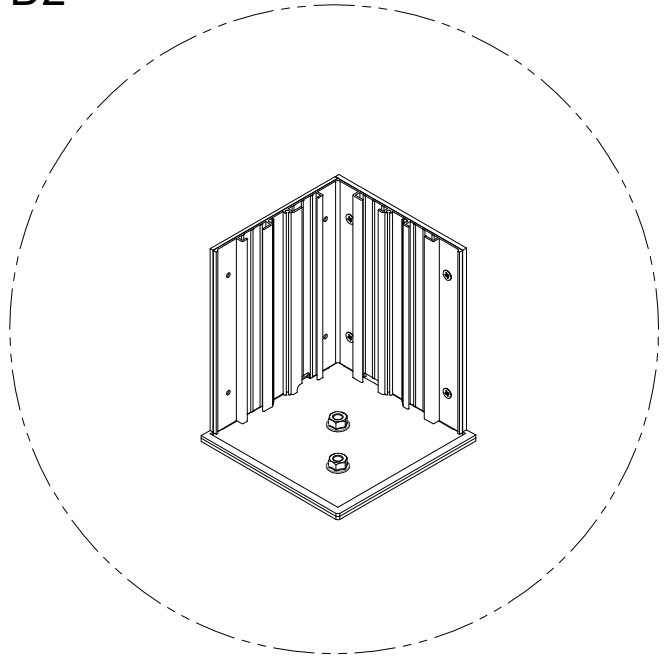


When installing wall mounting accessories, attention should be paid to their height from the ground and the distances between them.

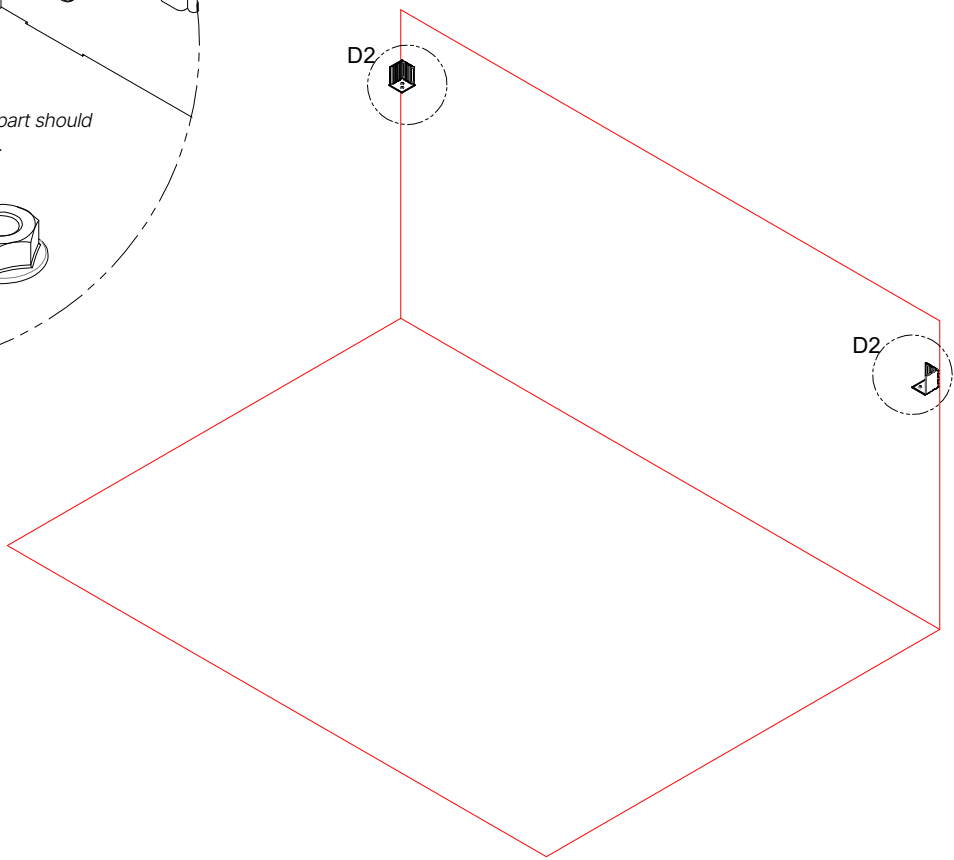
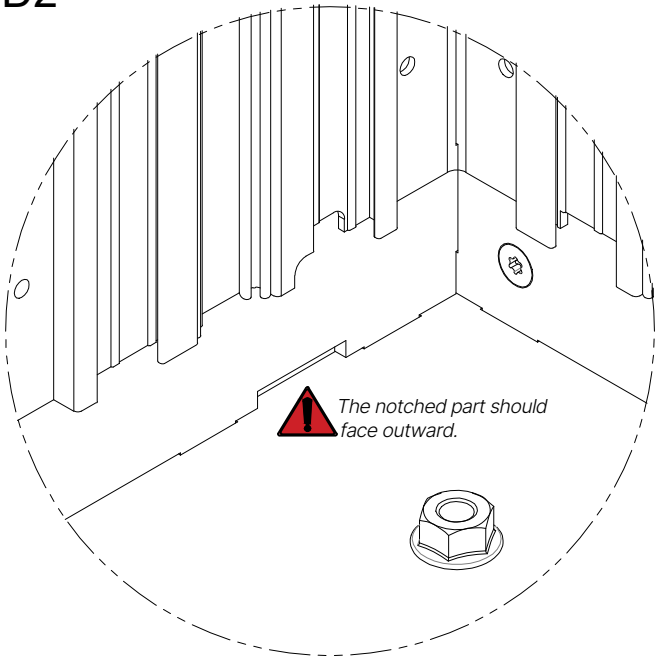
D2



D2

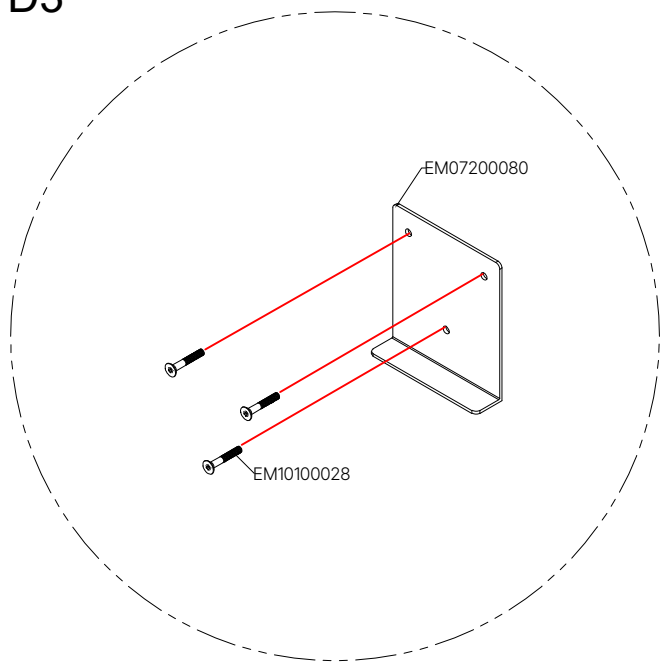


D2

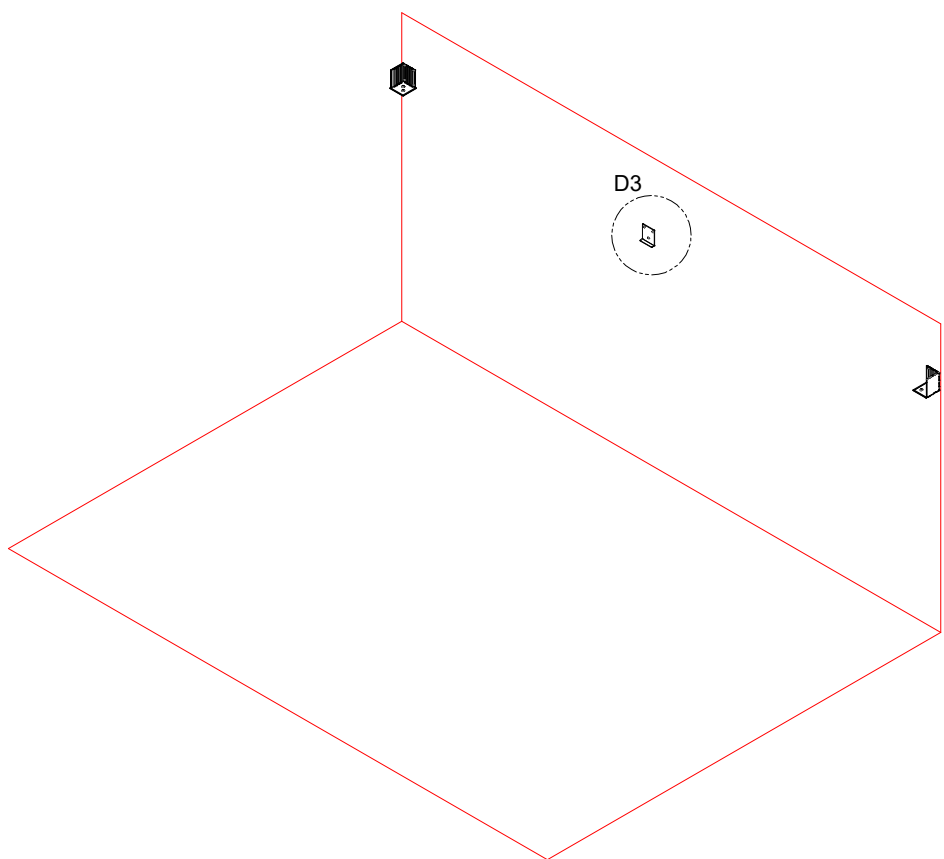
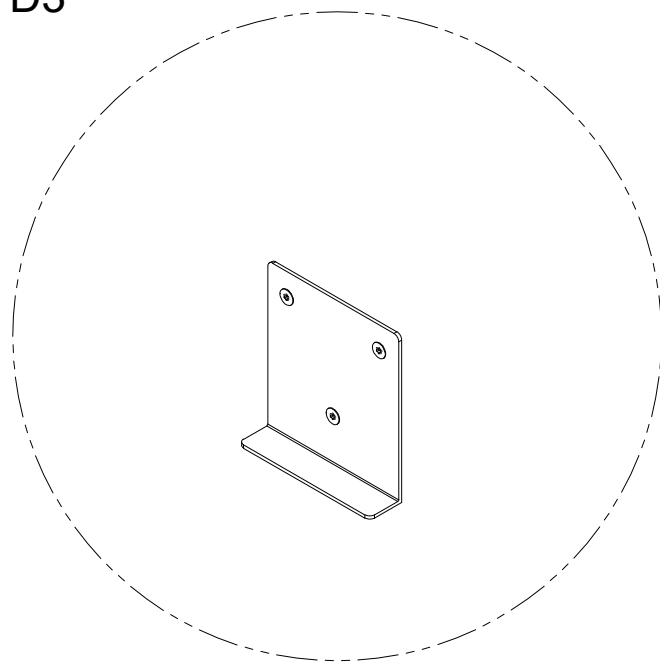


The wall anchor coded EM07300204 is placed in the position. The corner connection plate code EM07300206 is placed inside the anchor and fixed with screws code EM10100028.

D3

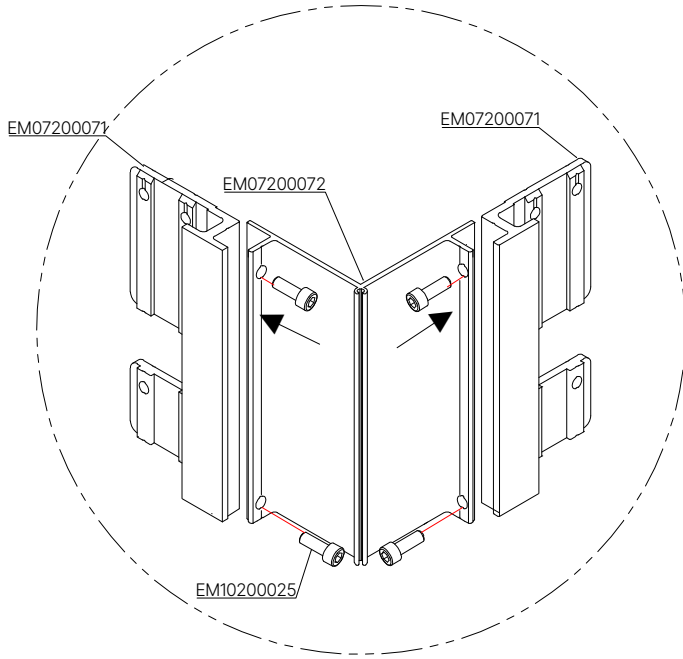


D3

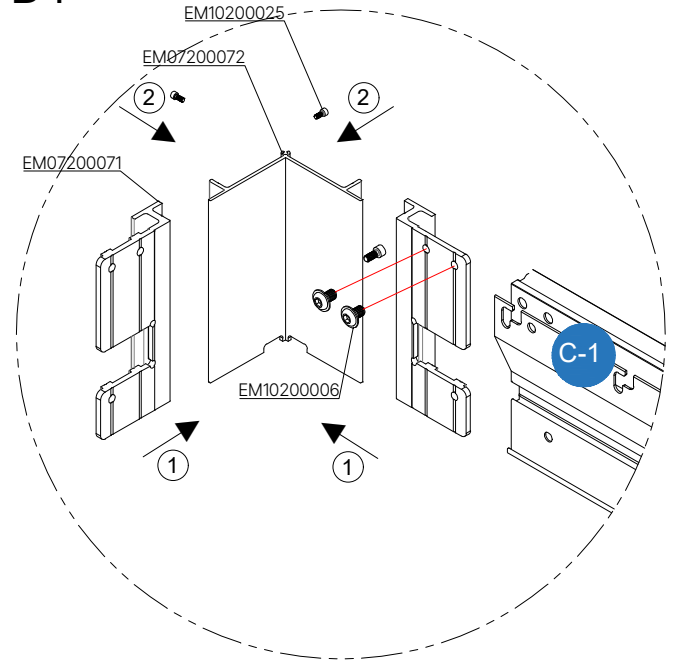


The wall connection plate coded EM07200080 is placed in the central area of the wall. It is fixed with screws coded EM10100028.

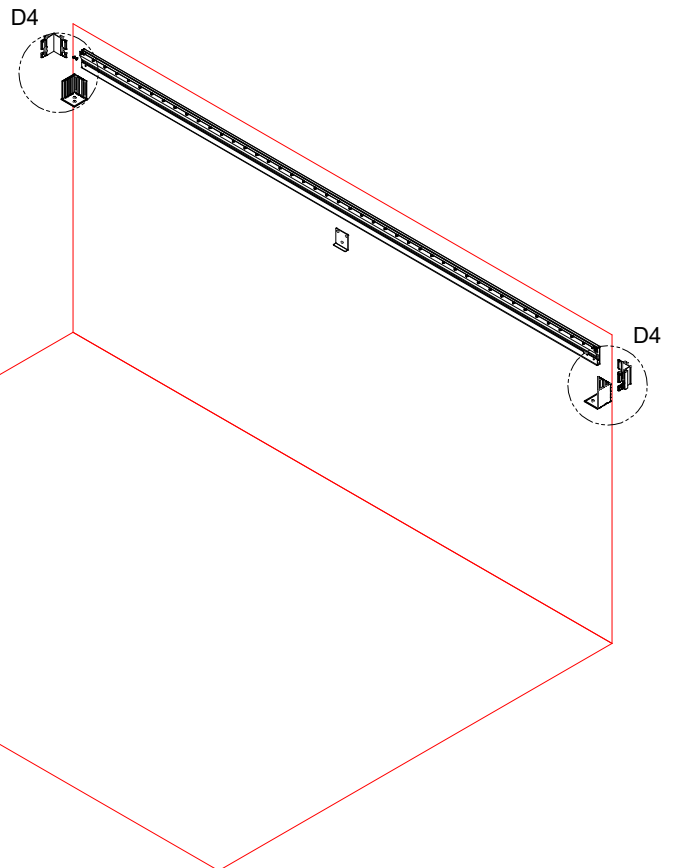
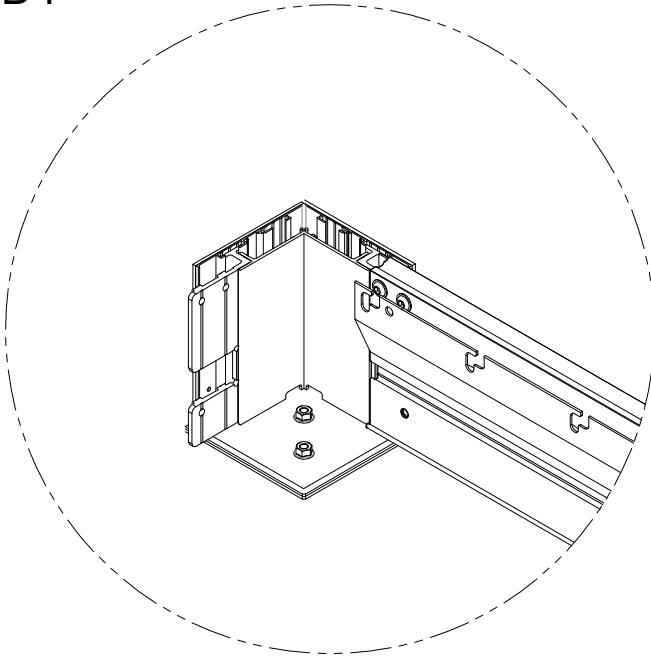
D4



D4

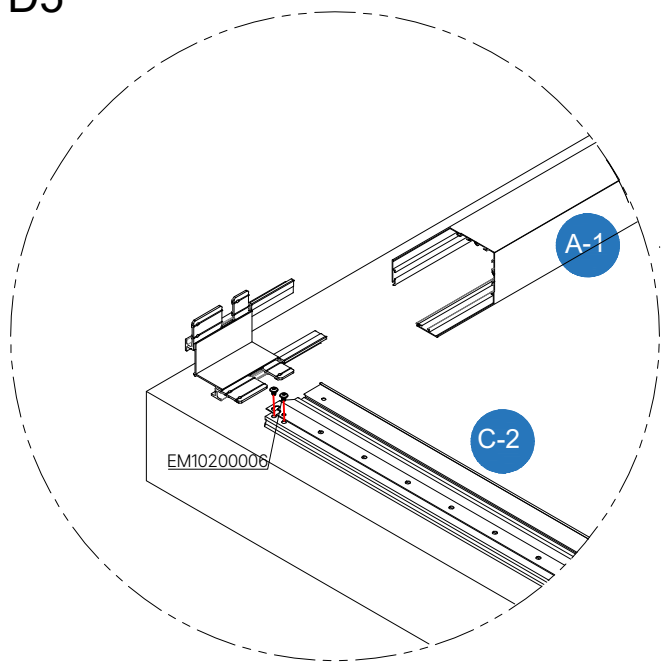


D4

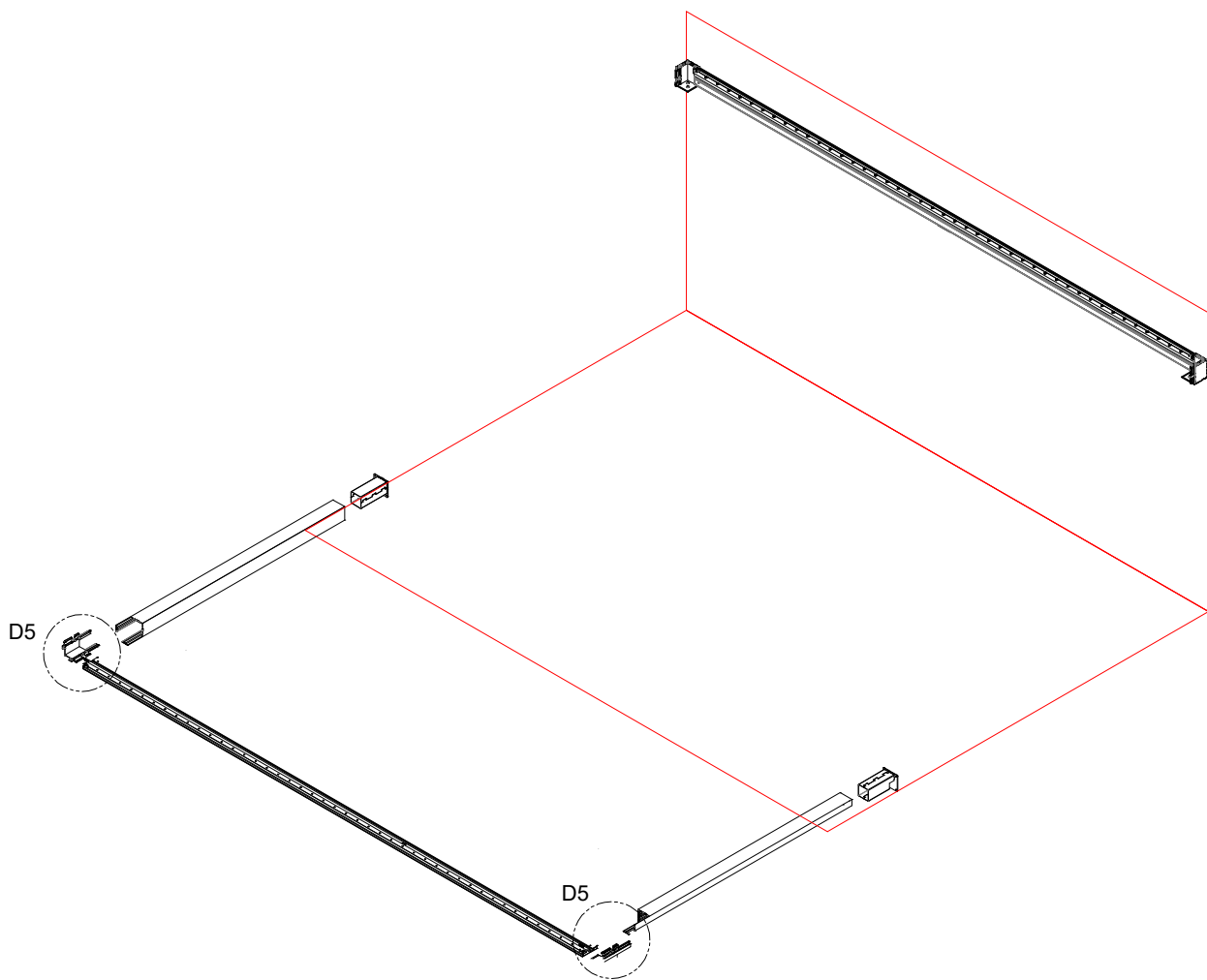
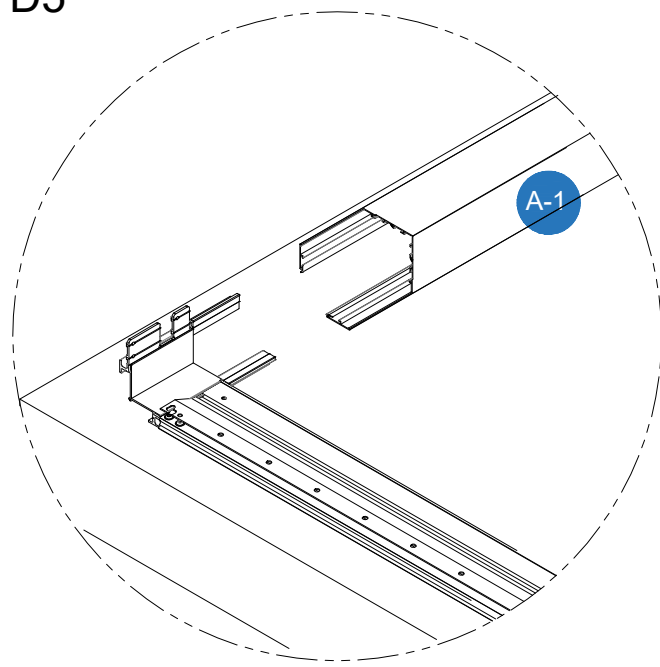


The C2 coded profile with corner connections fixed is inserted into the pillars (M7037). It is screwed through the screw channels on the C2 profile as shown in the figure.

D5

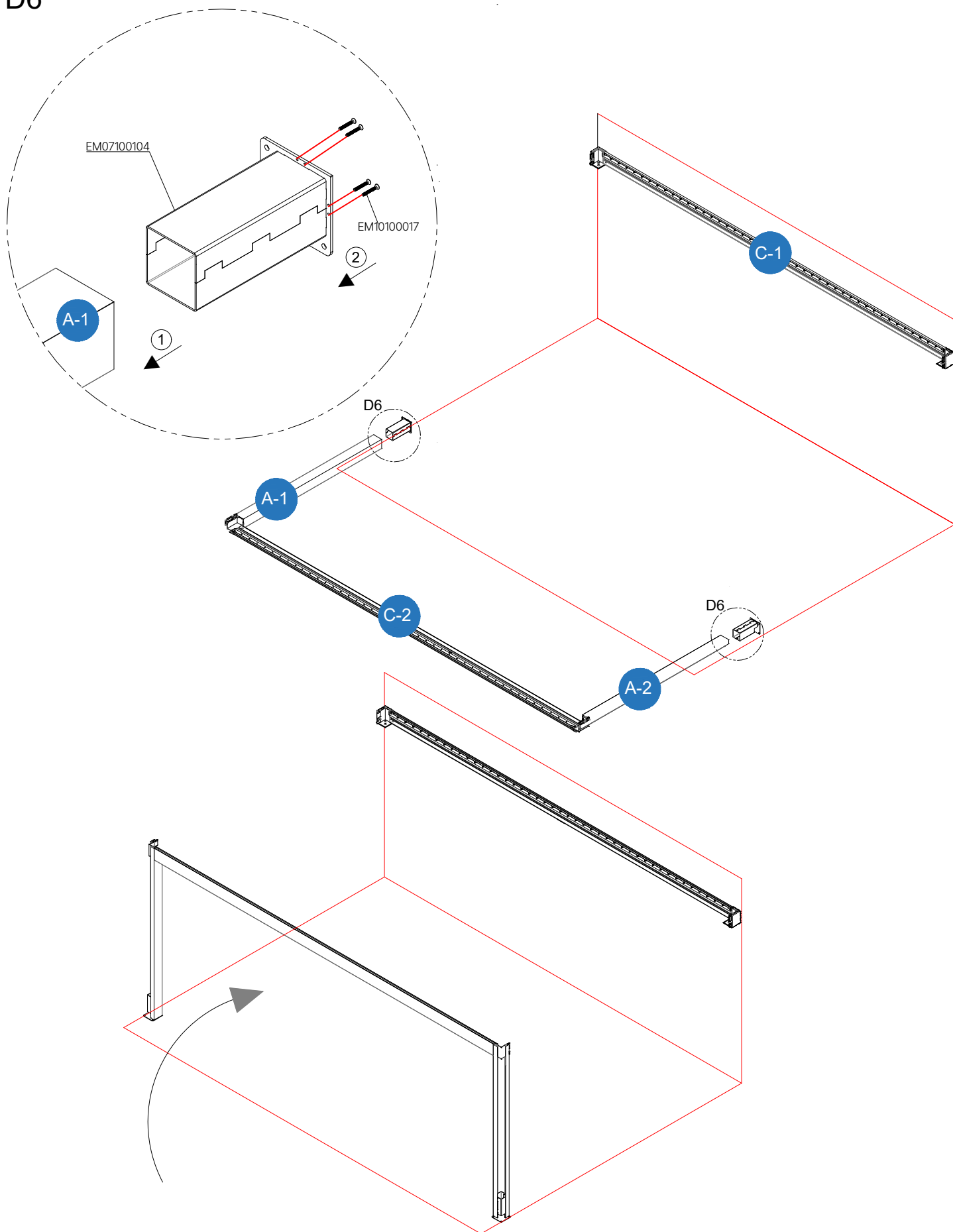


D5



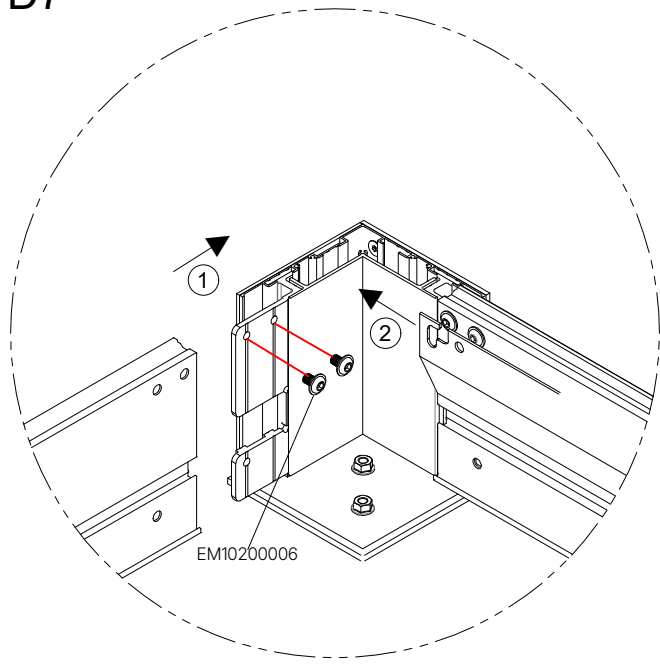
The C2 coded profile with corner connections fixed is inserted into the pillars (M7037). It is screwed through the screw channels on the C2 profile as shown in the figure.

D6

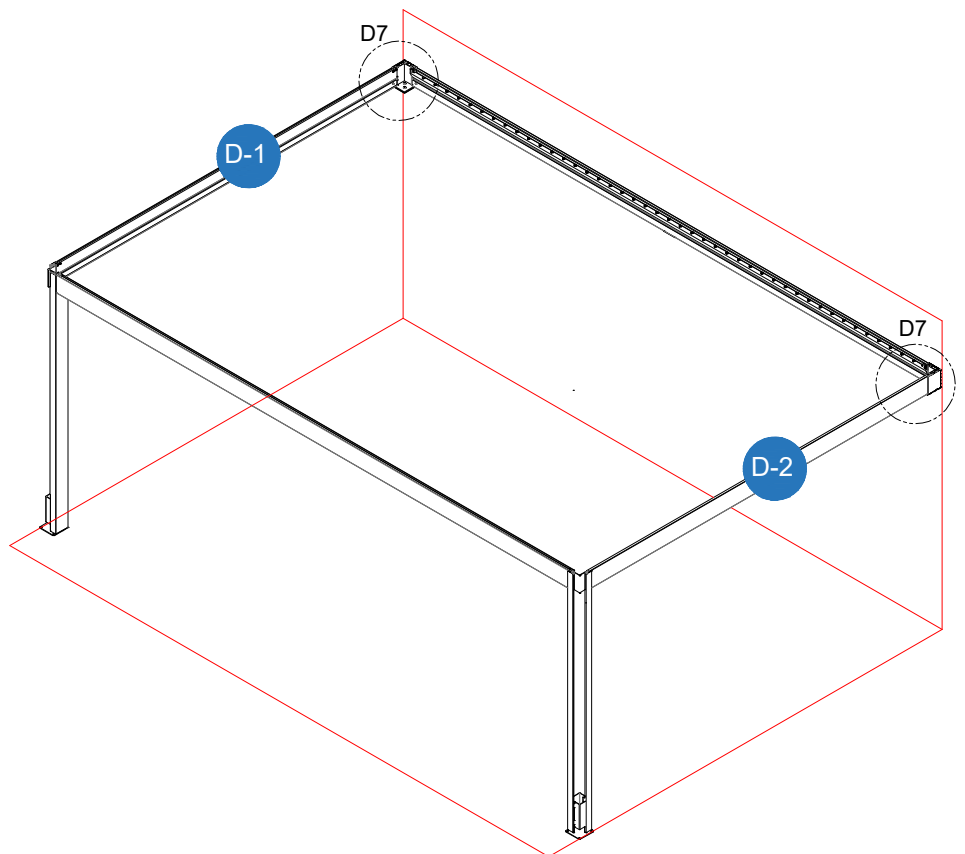
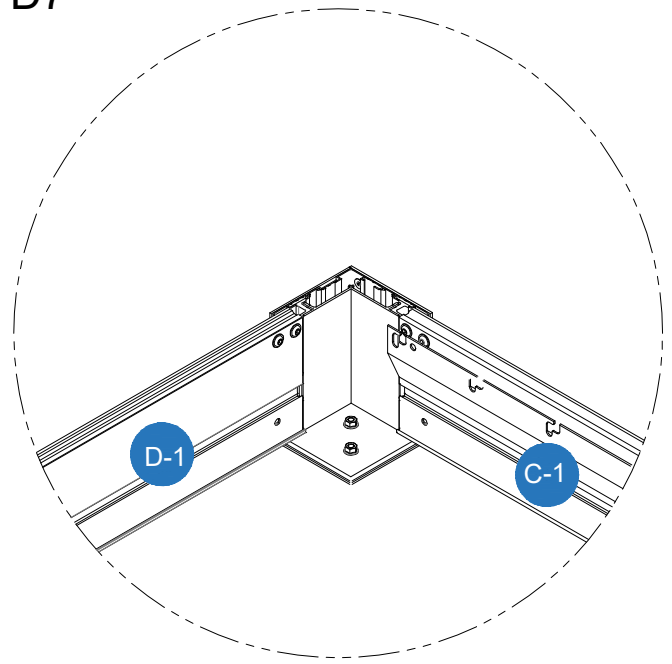


The accessory code EM07100104 is mounted on the pillars. The C2 coded profile, which is shaped like a U on the ground, is lifted as shown in the figure.

D7

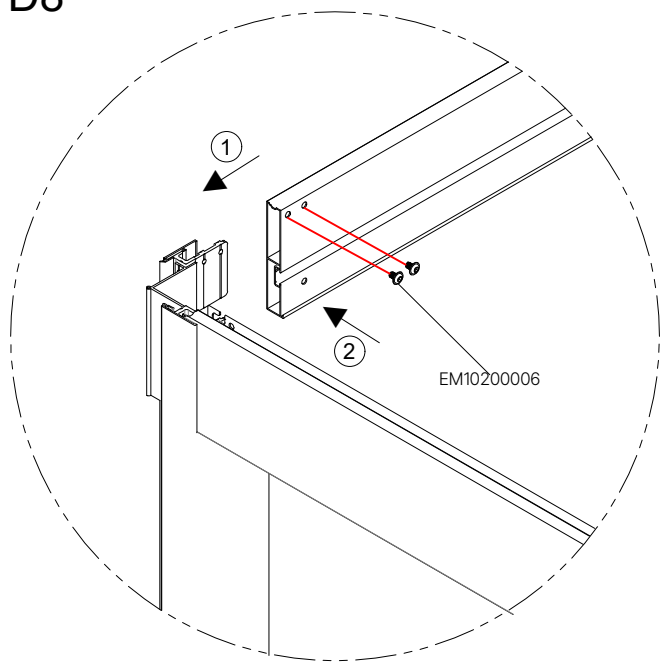


D7

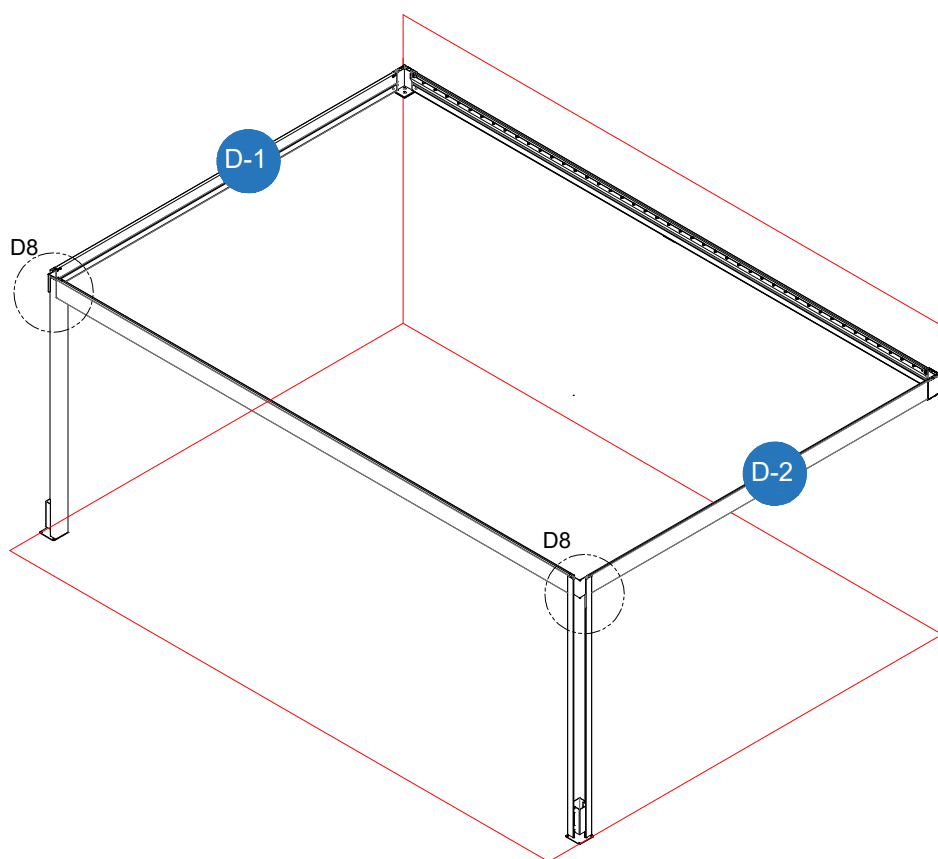
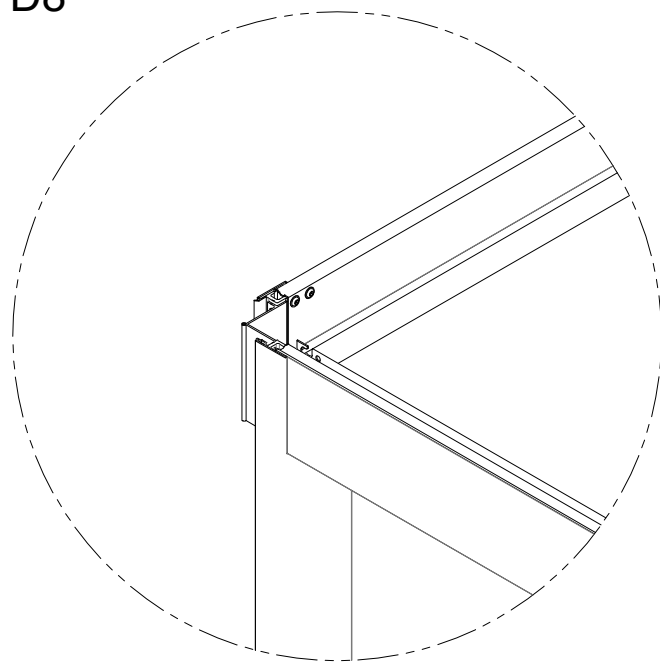


D1 coded profile is inserted to the corner connections as shown in the figure. It is fixed with corner connections by inserting screws with code EM10200006 from the screw channels on the right and left of the profile.

D8

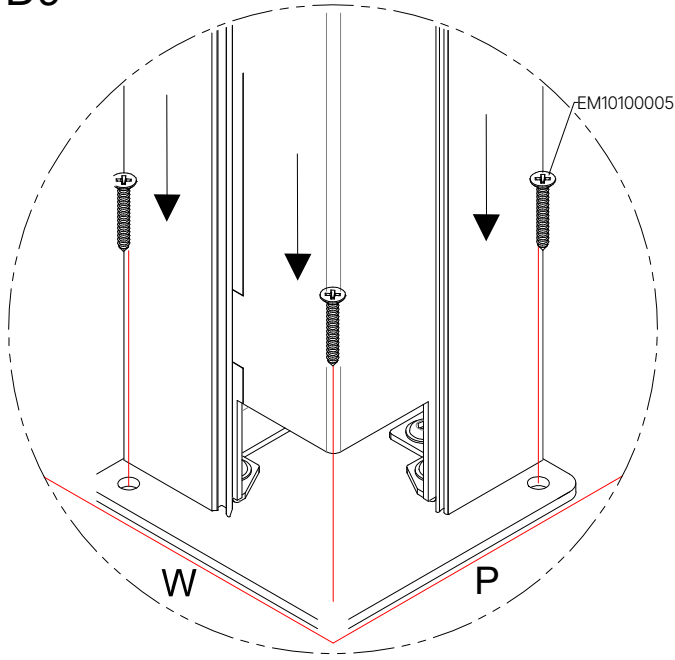


D8

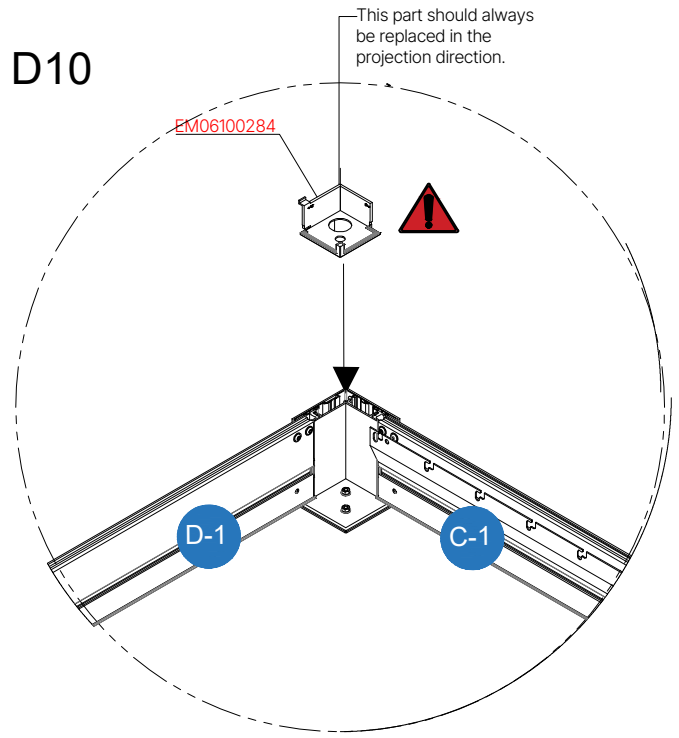


D1 coded profile is inserted to the corner connections as shown in the figure. It is fixed with corner connections by inserting screws with code EM10200006 from the screw channels on the right and left of the profile.

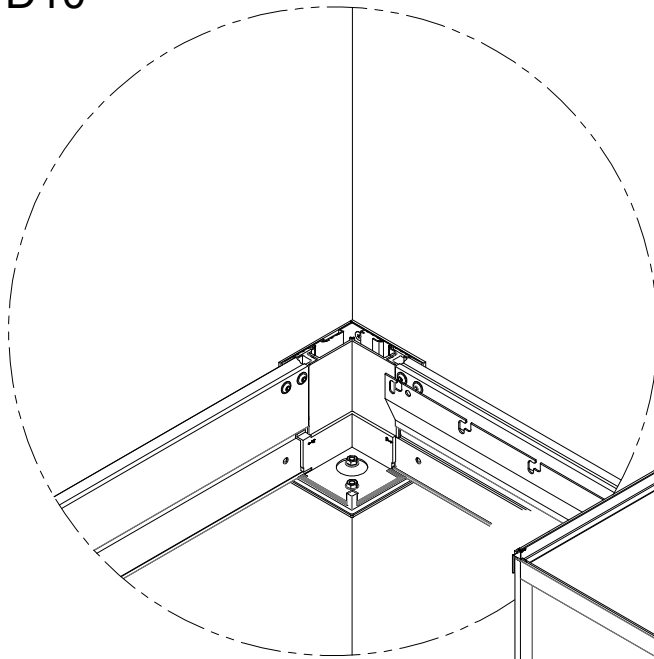
D9



D10

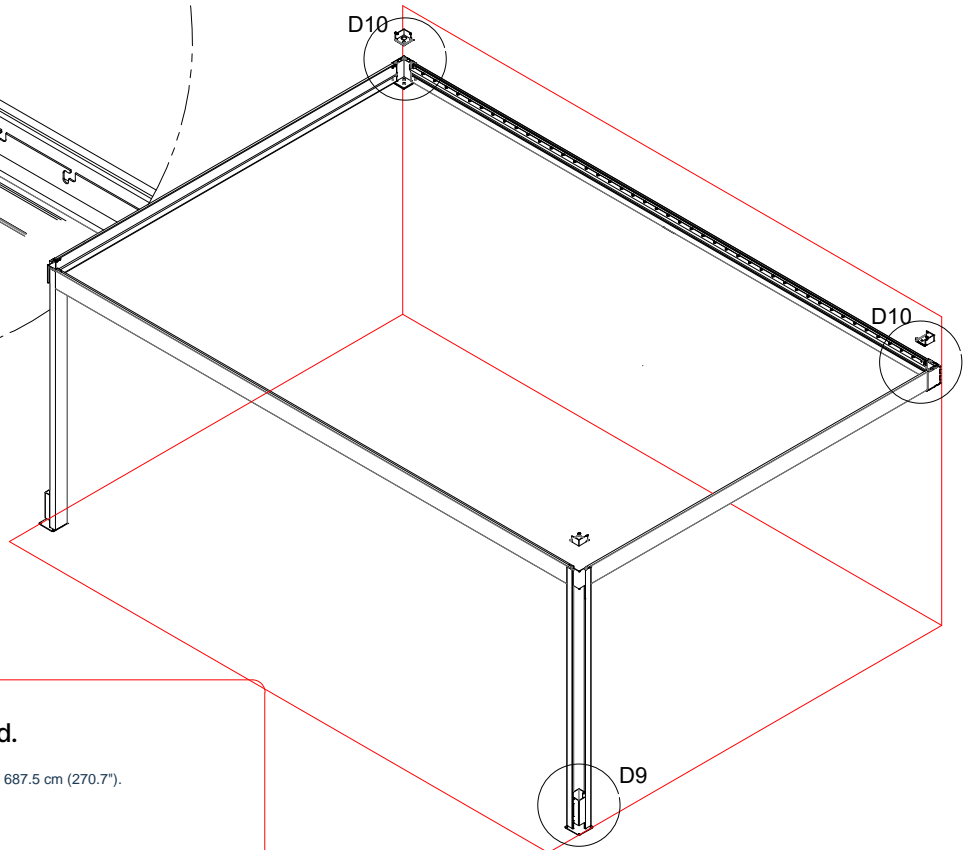


D10



Attention

Watch the video titled "Step 5" to carry out the cabling process.

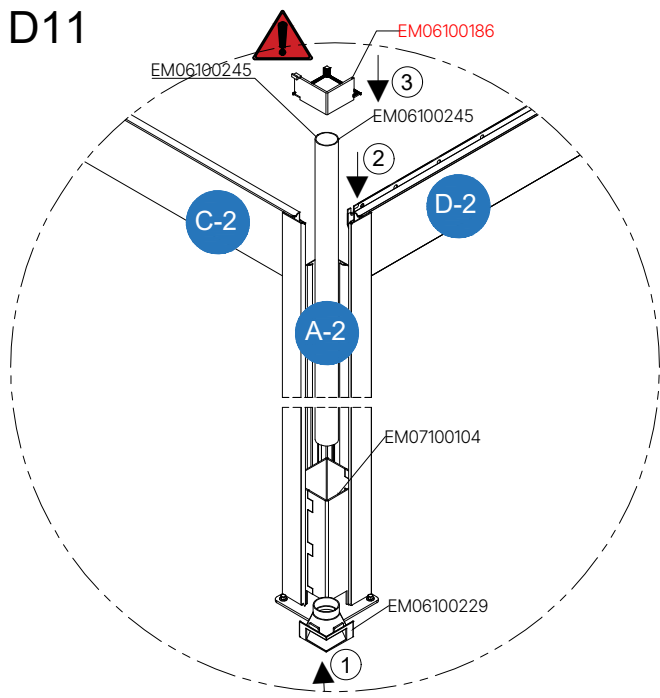


Diagonal size should be checked.

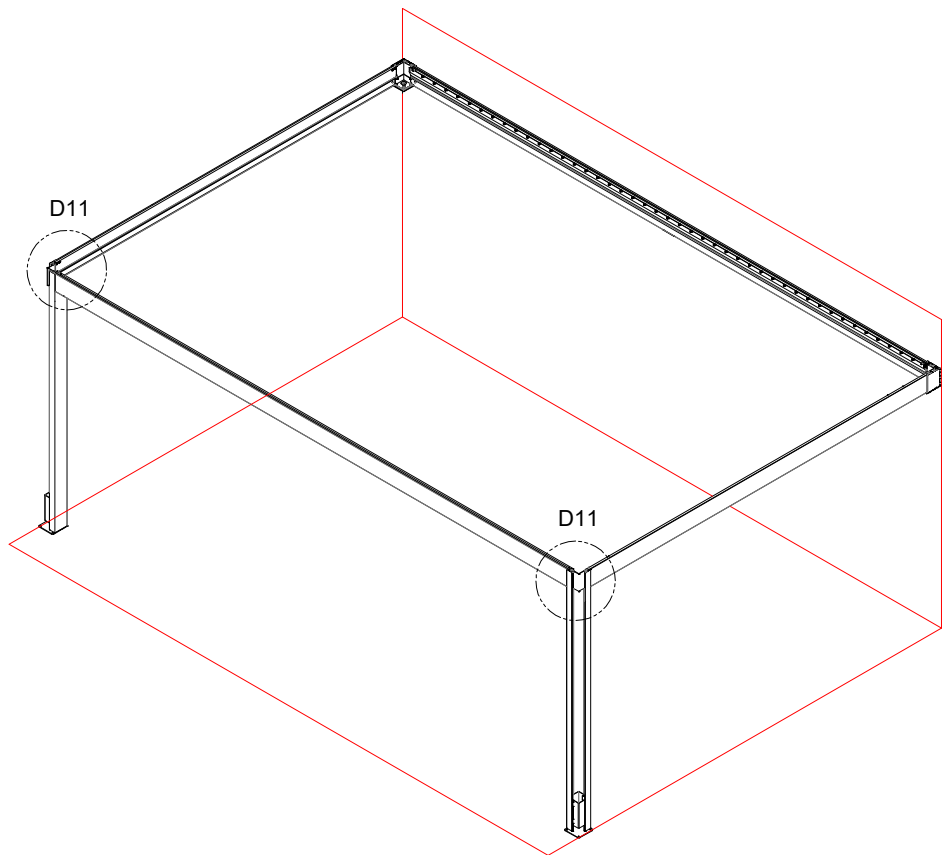
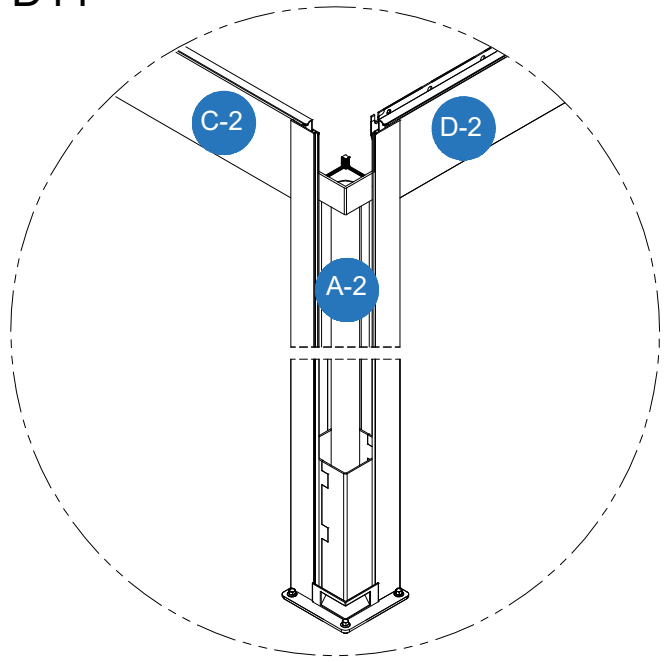
If your system is 13'x19', then the diagonal measurement should be 687.5 cm (270.7").

As shown in the figure, the diagonal dimensions of the system are checked. If the measurement is not correct, it is brought to the required size and the system is fixed by using ground screws. Water drain plugs are attached to the pillars on the front of the system. The pipe is passed from above and attached to the plugs. Rubbers are attached to the four corners. The rubbers on the part where the pipe is located (the two rubbers on the front face of the system) should be cut with a carpet knife from the circular area.

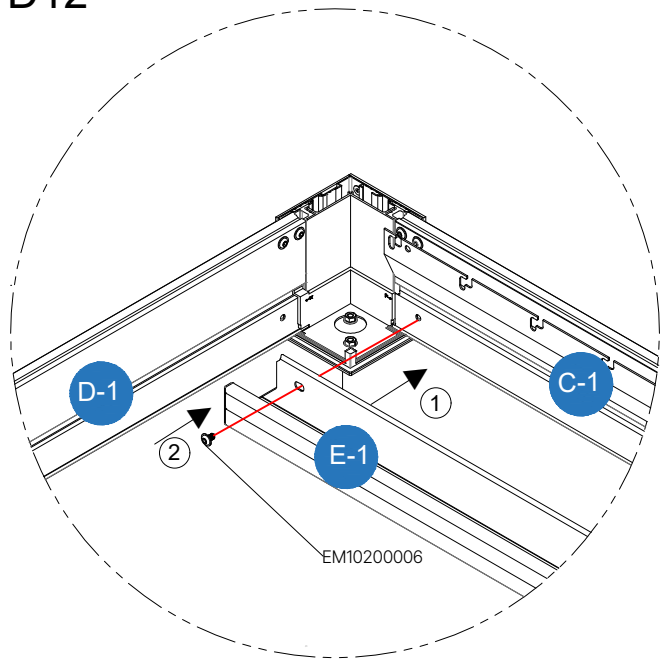
D11



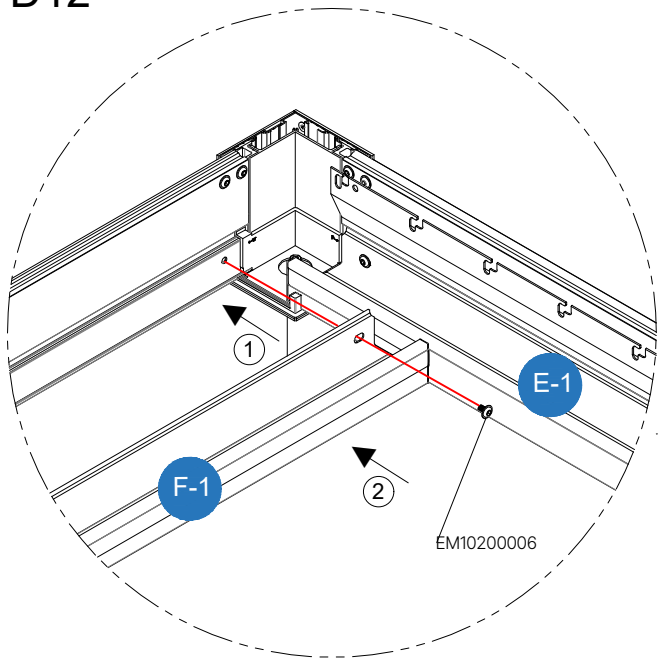
D11



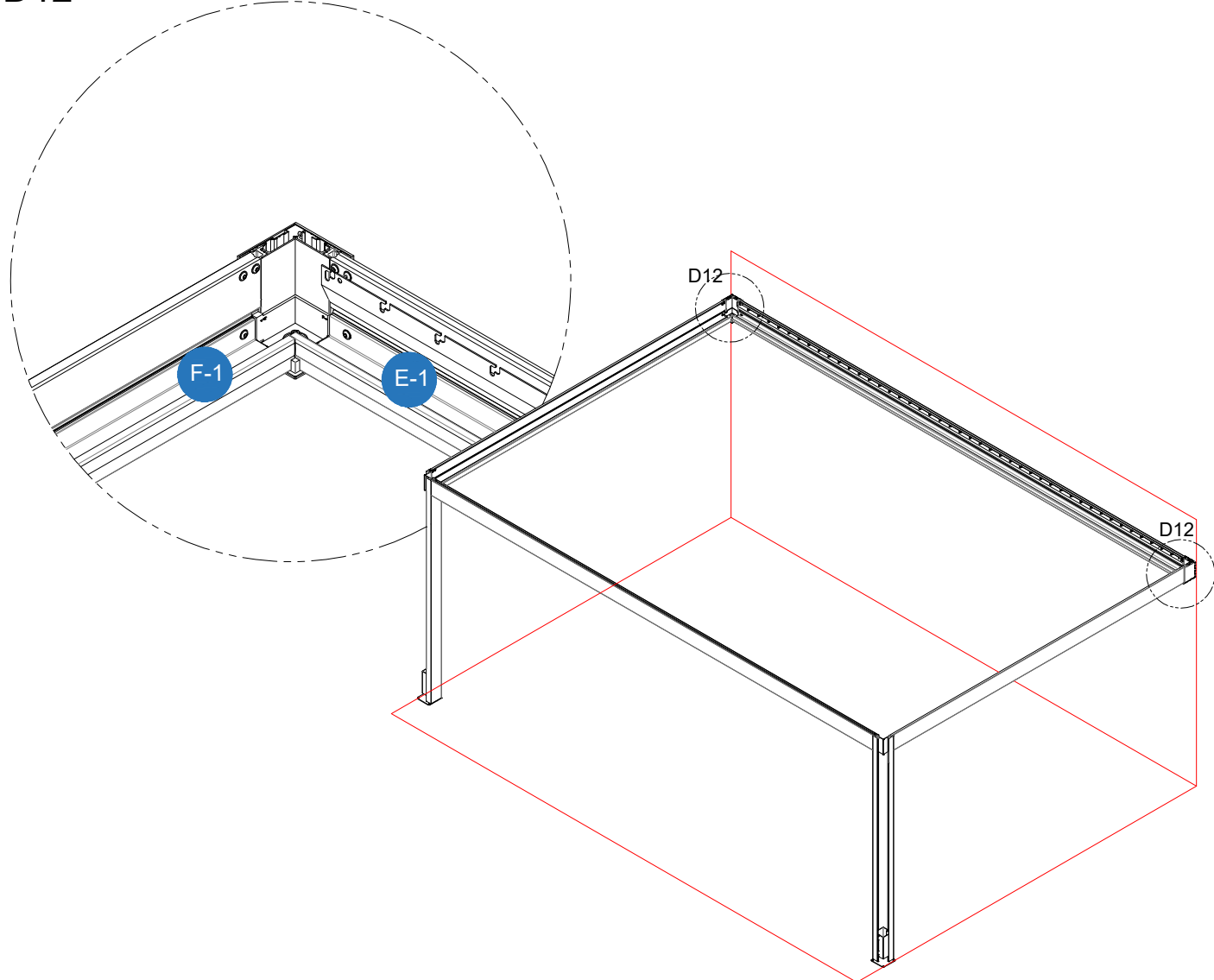
D12



D12

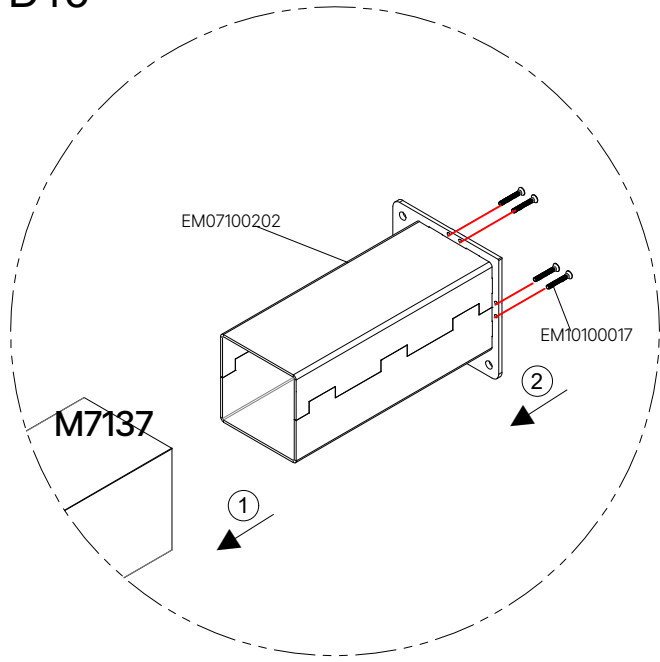


D12

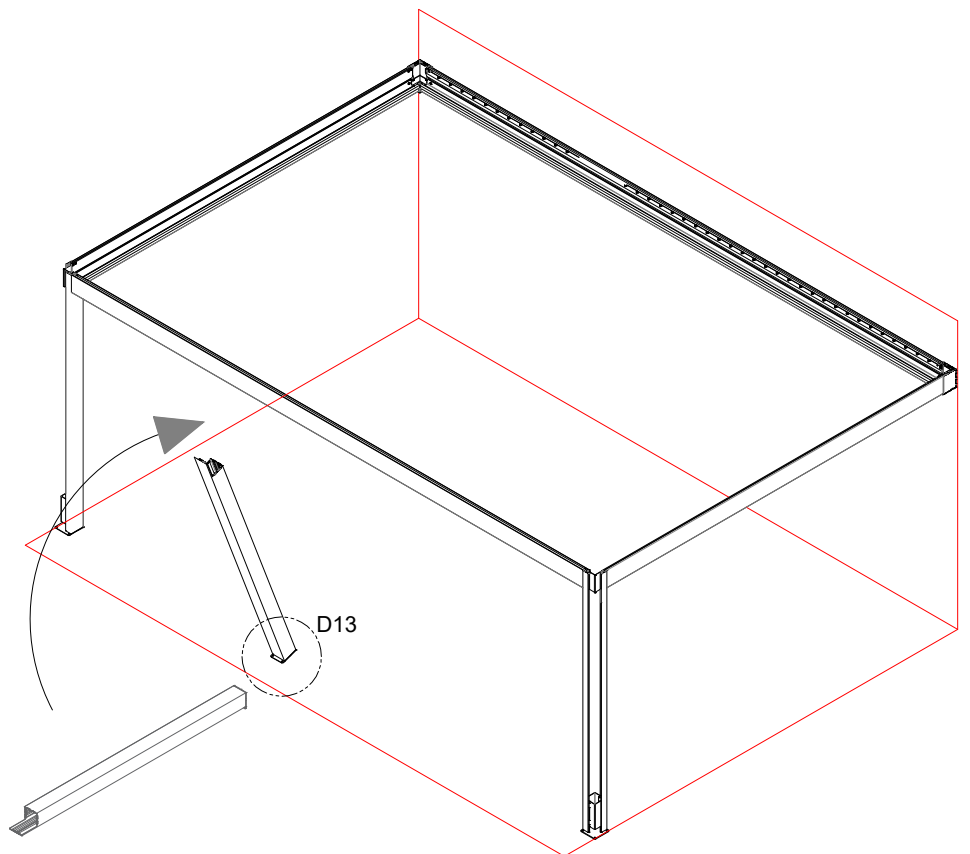
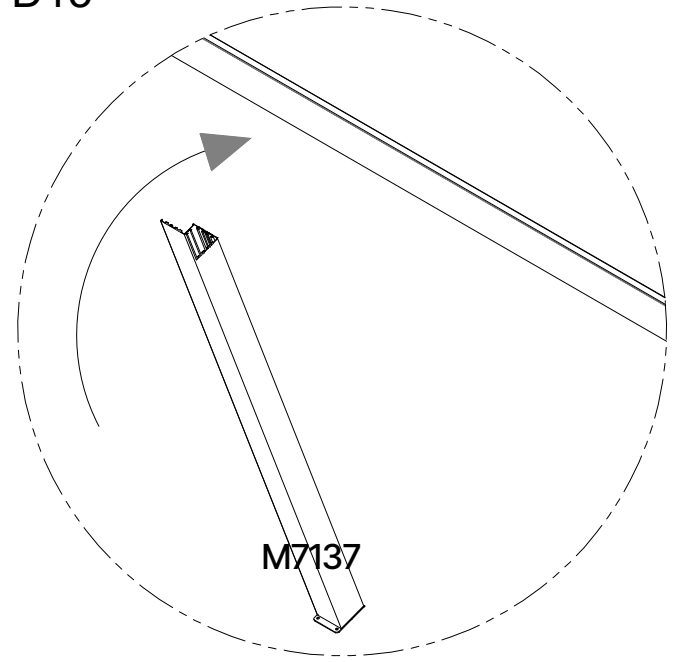


All gutters are fixed by screwing them from above with the screw code EM10200006 from each corner as shown in the figure.

D13

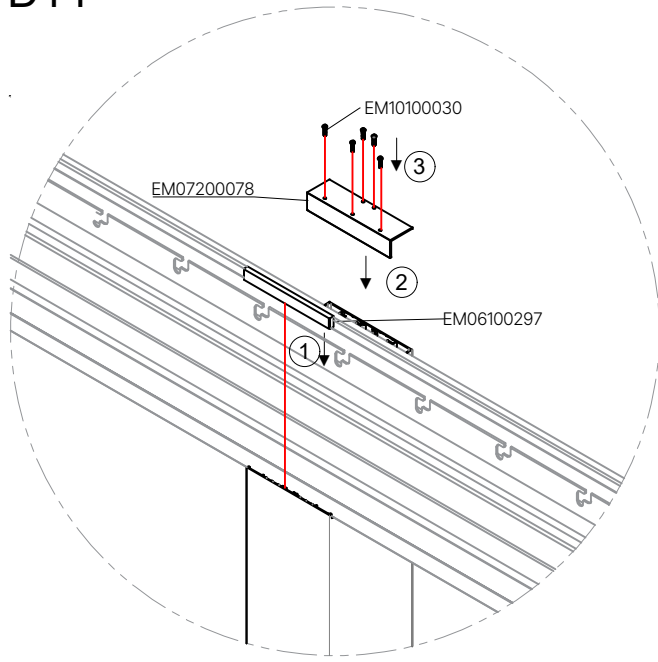


D13

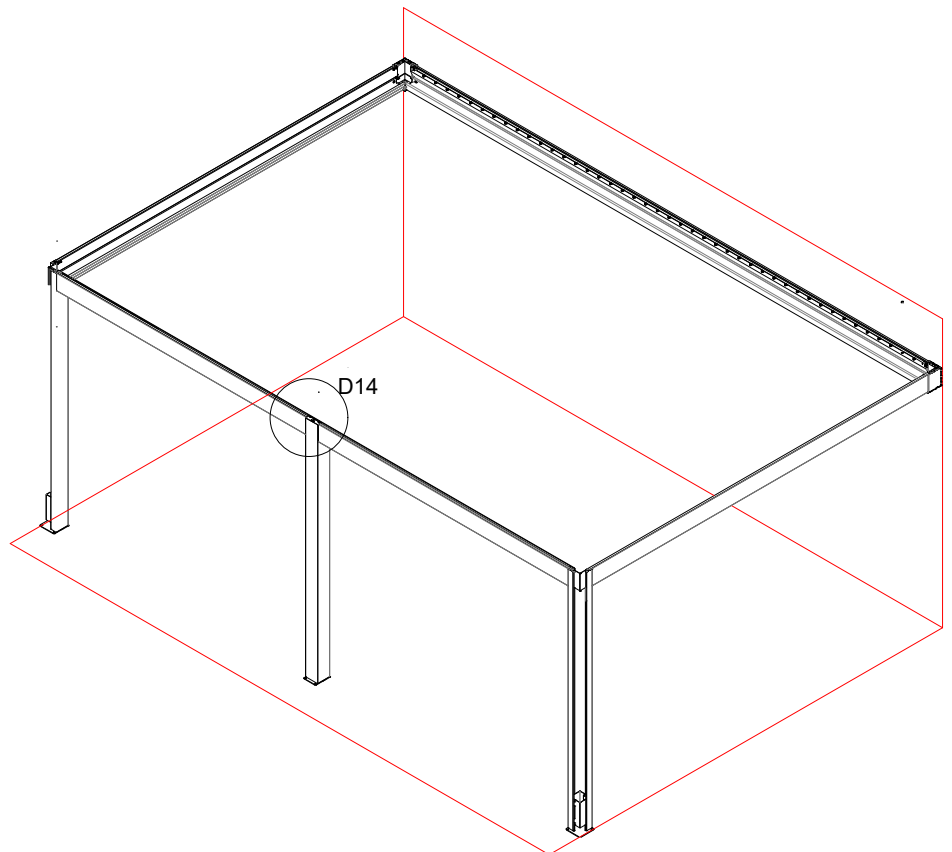
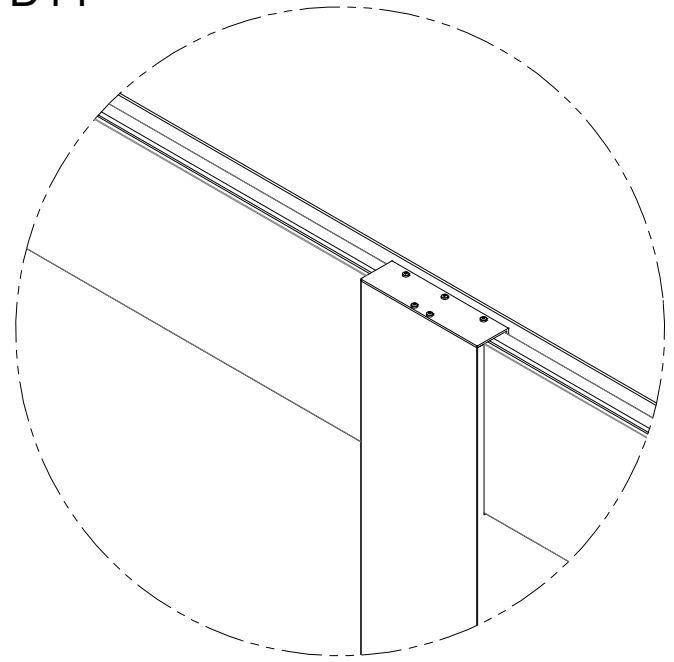


The accessory code EM07100202 is mounted on the pillars.

D14

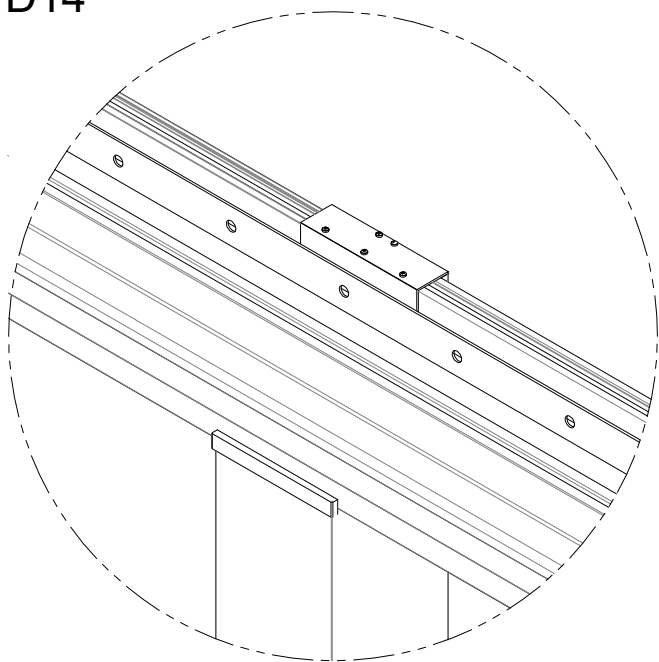


D14

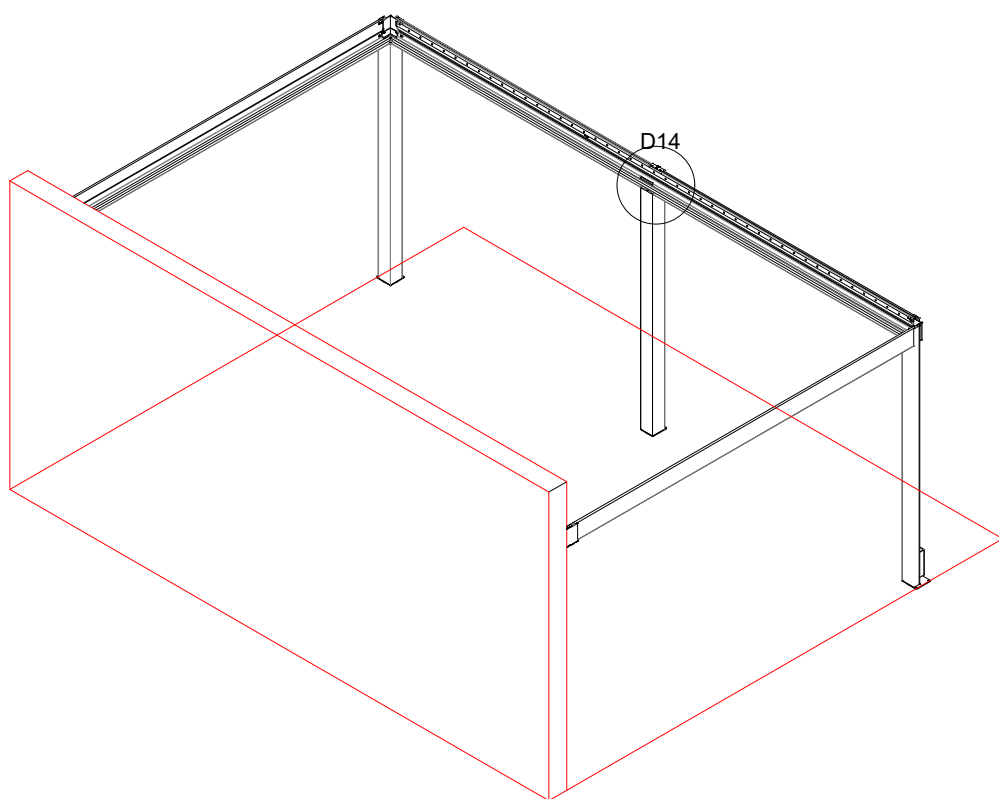
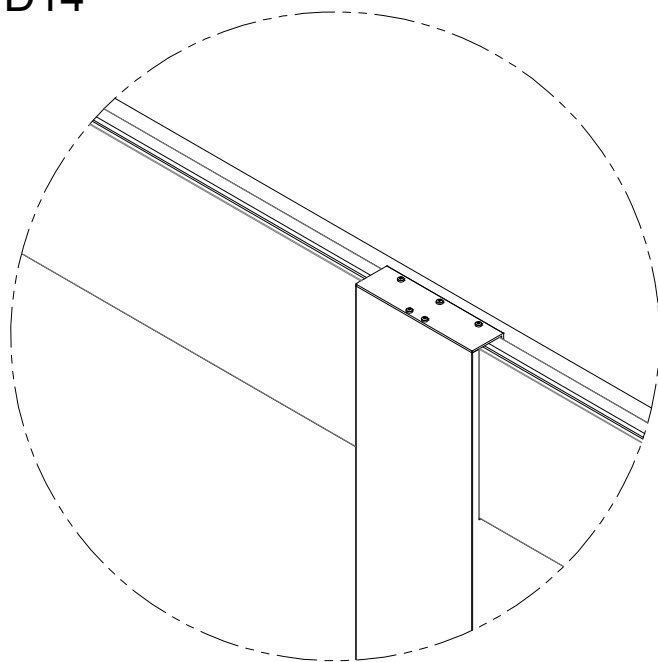


The central pillar sheet coded EM07200078 is placed at the center pillar position of the system. It is fixed with screws coded EM10100030.

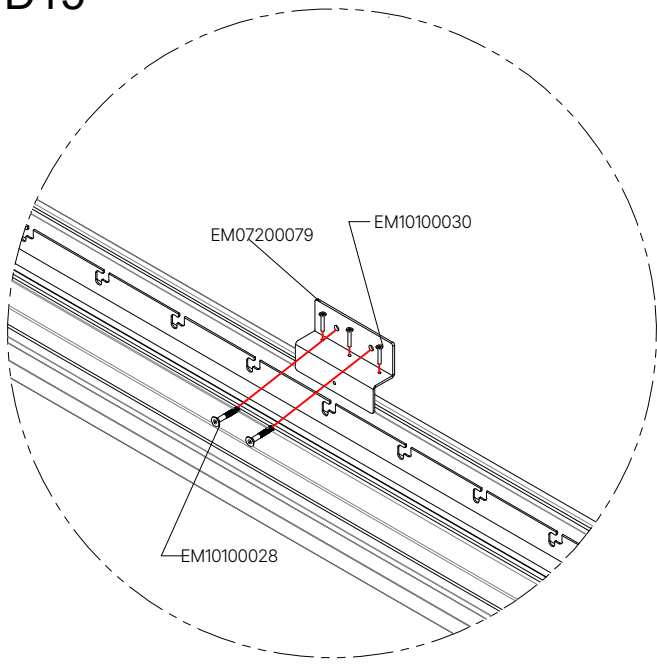
D14



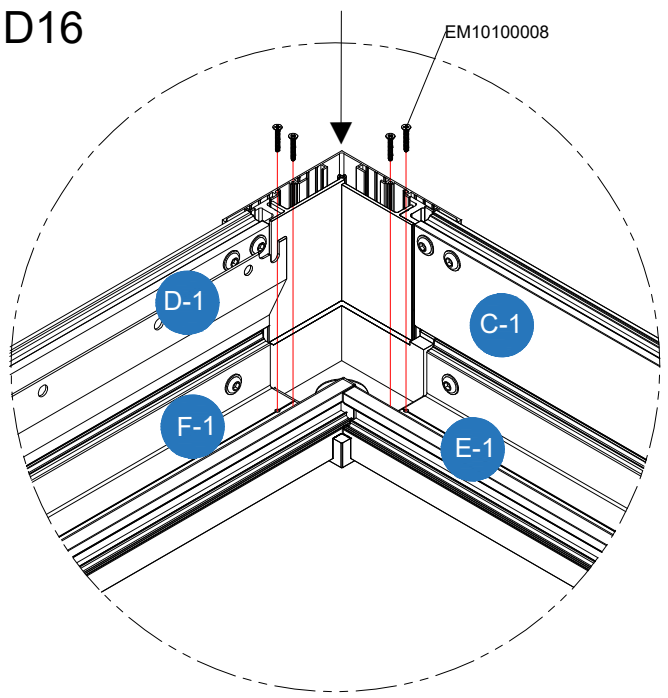
D14



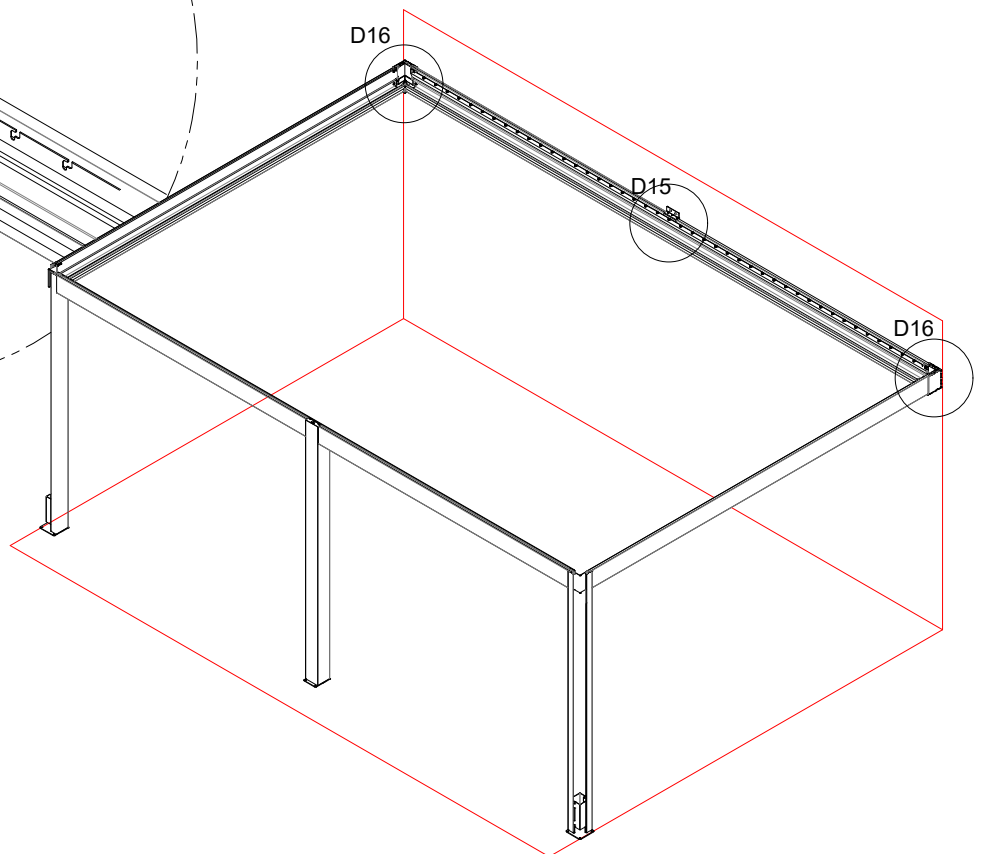
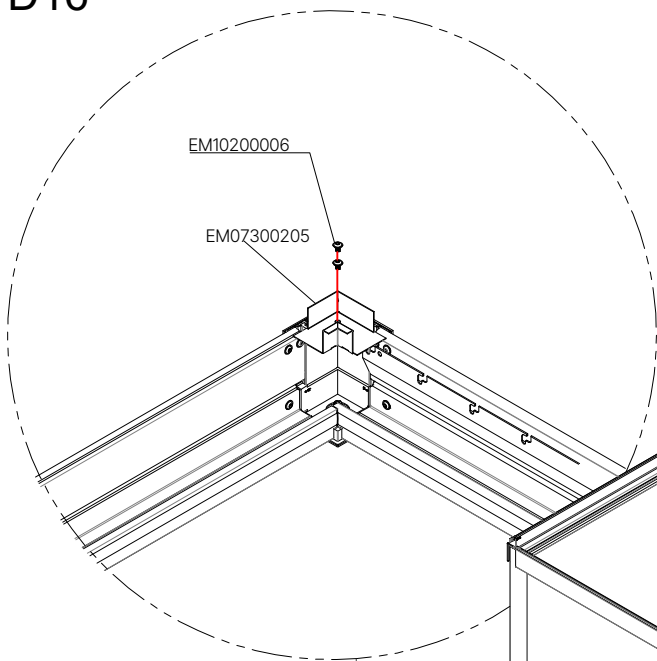
D15



D16

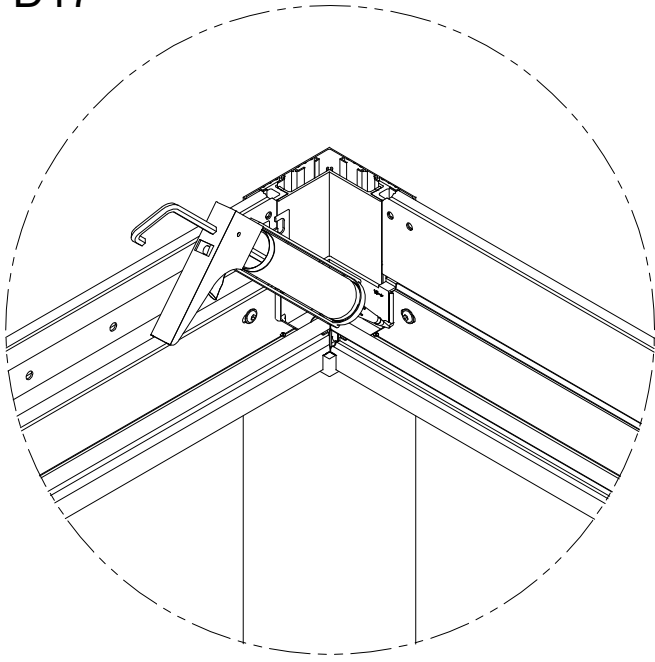


D16

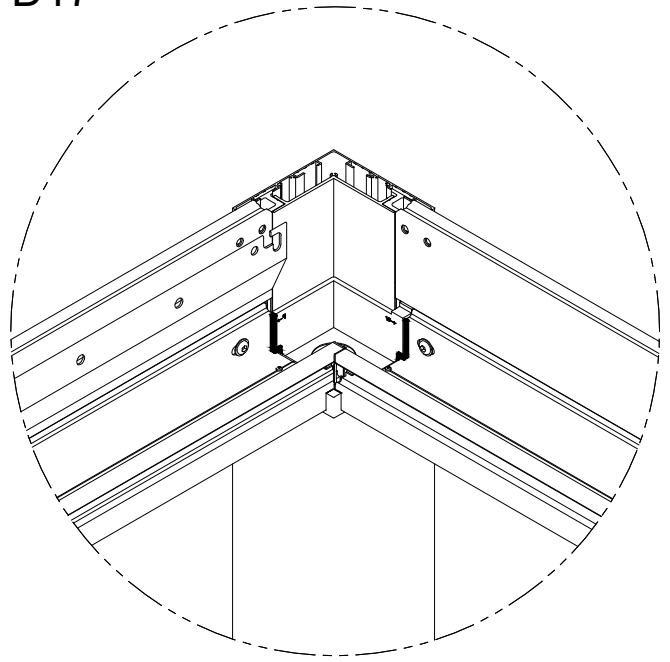


The wall connection plate coded EM07200079 is fixed to the wall with screws coded EM10100030 and EM10100028, as shown in the figure. Then, the accessory coded EM07300205 is fixed to all corners with screws coded EM10200006.

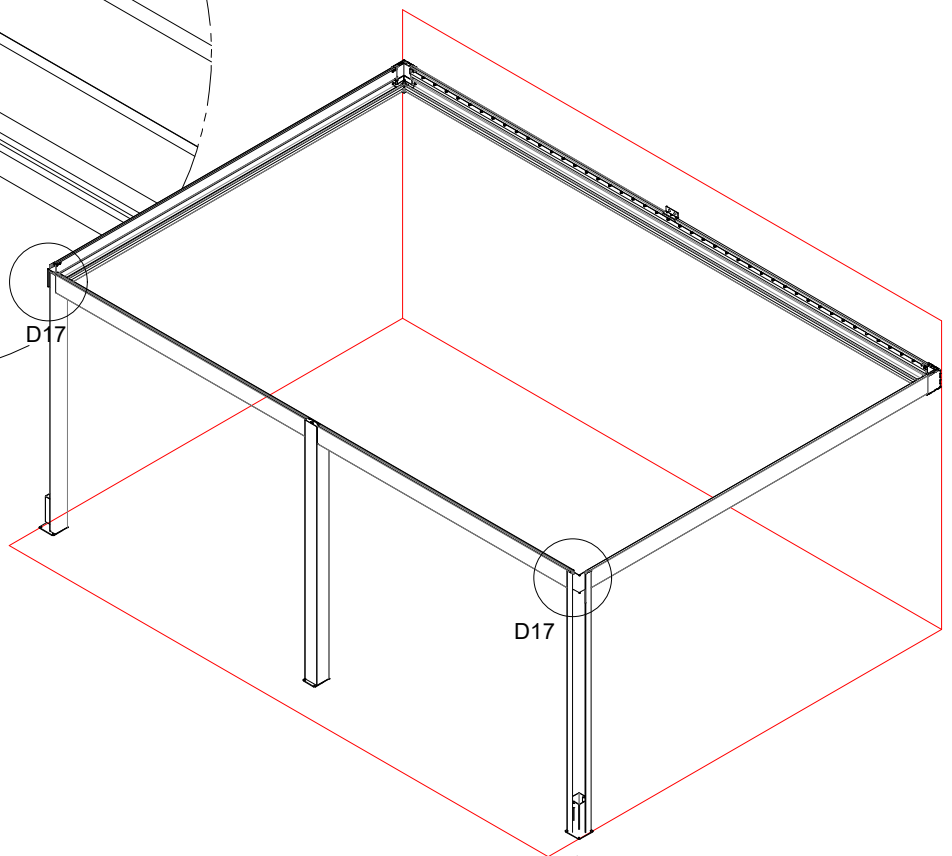
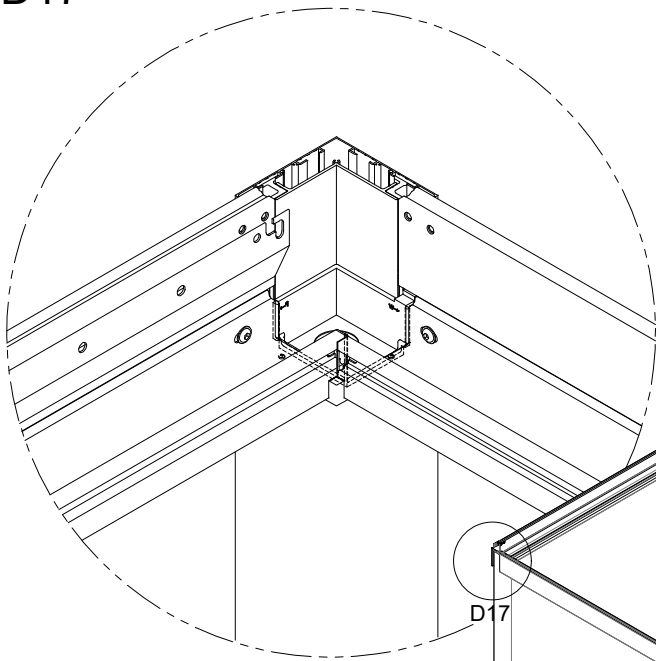
D17



D17

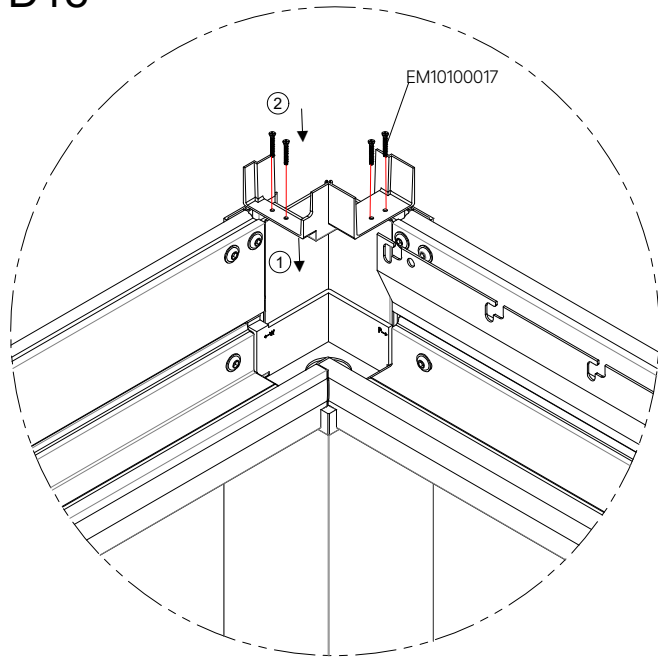


D17

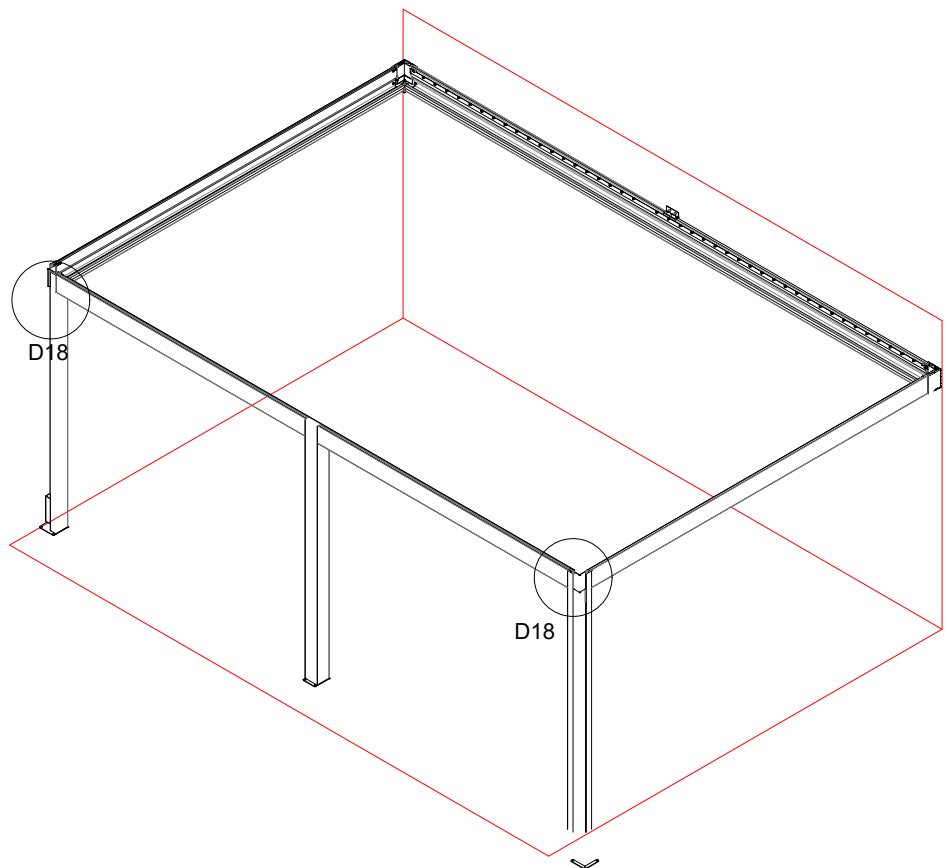
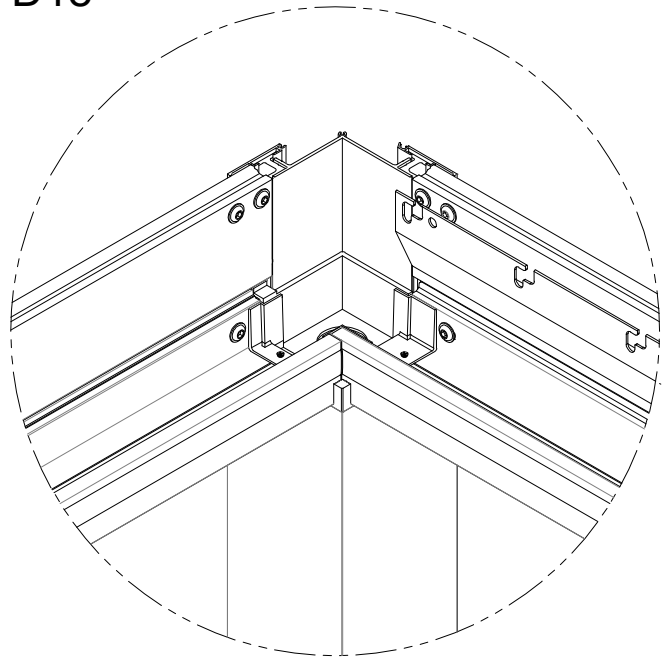


Silicone should be applied to the junction of the rubbers (EM06100186) on the 2 corners, as shown in the figure.

D18



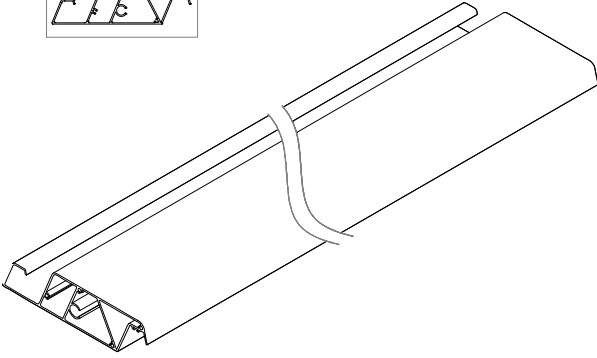
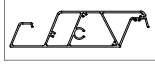
D18



All gutters are fixed by screwing them from above with the screw code EM10100017 from each corner as shown in the figure.

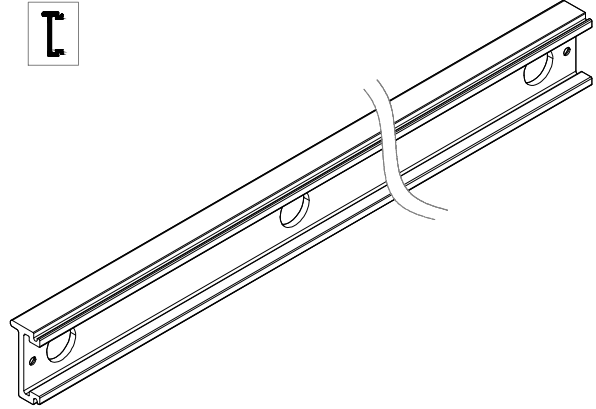
Ecoclimatic Profiles For Second Step

M7400



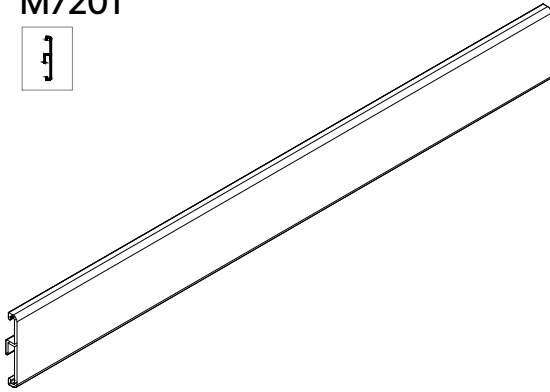
For 13'x19' systems : 45 pcs

M7031



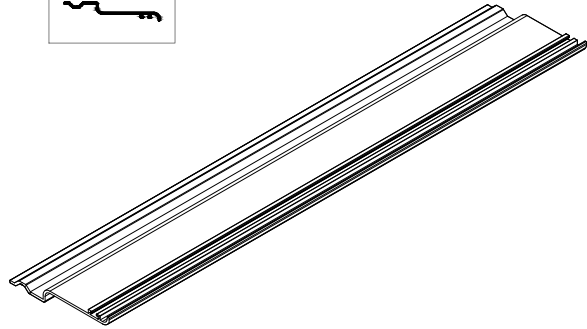
For 13'x19' systems : 2 pcs

M7201



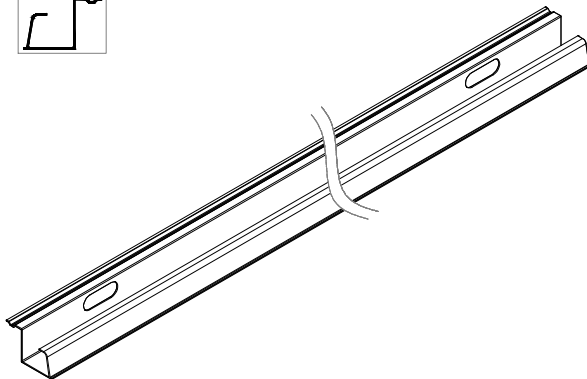
For 13'x19' systems : 2 pcs

M7029



For 13'x19' systems : 2 pcs

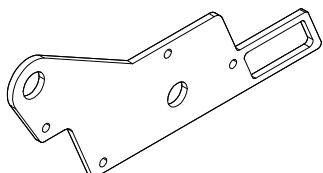
M7030



For 13'x19' systems : 2 pcs

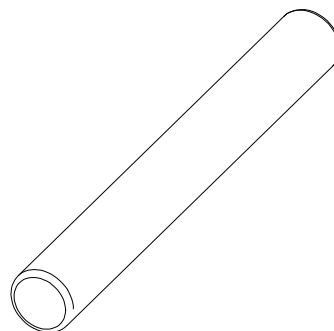
Ecoclimatic Accessories For Second Step

EM07100191



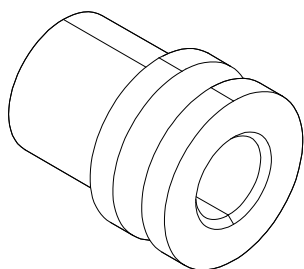
For 13x19' systems : 89 pcs

EM07300164



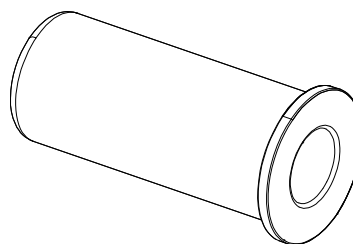
For 13x19' systems : 90 pcs

EM06100202



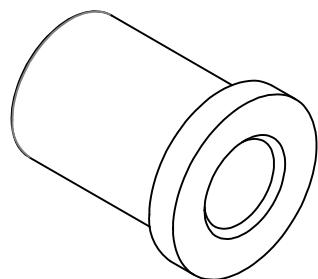
For 13x19' systems : 45 pcs

EM06100203



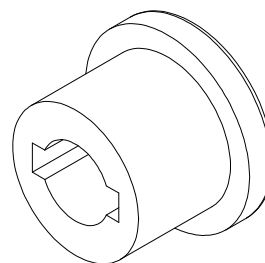
For 13x19' systems : 90 pcs

EM06100228
motor side



For 13x19' systems : 45 pcs

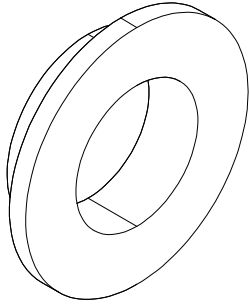
EM06100208



For 13x19' systems : 90 pcs

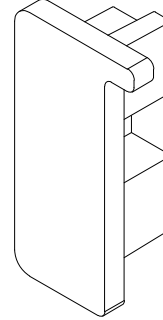
Ecoclimatic Accessories For Second Step

EM06100184



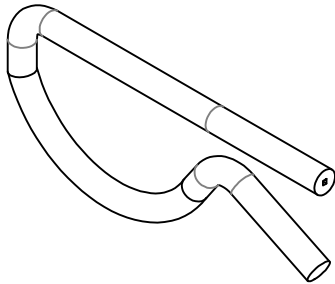
For 13'x19' systems : 90 pcs

EM06100279 - (Black)
EM06100278 - (White)



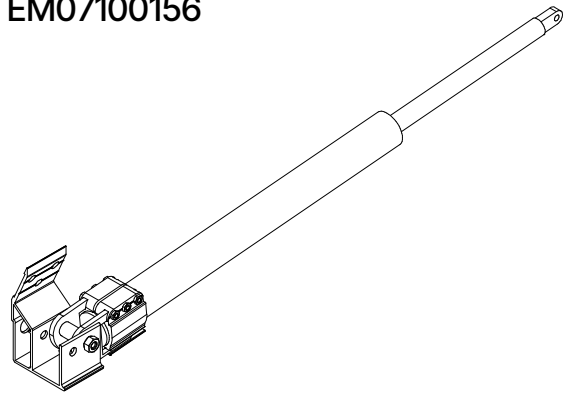
For 13'x19' systems : 4 pcs

EM07400027



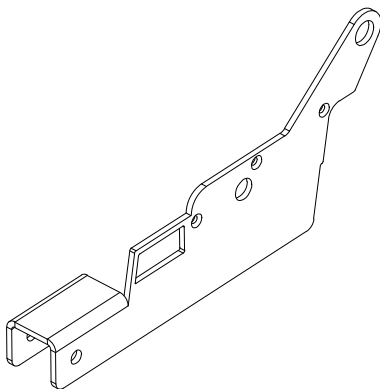
For 13'x19' systems : 90 pcs

EM07100156



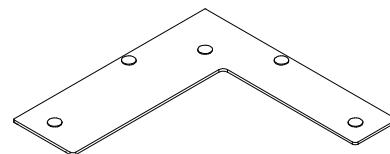
For 13'x19' systems : 1 pcs

EM07100183



For 13'x19' systems : 1 pcs

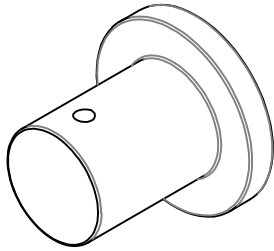
EM07100105



For 13'x19' systems : 4 pcs

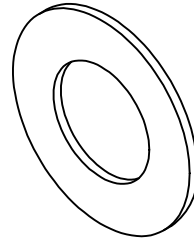
Ecoclimatic Accessories For Second Step

EM06100302



For 13'x19' systems : 90 pcs

EM10400005

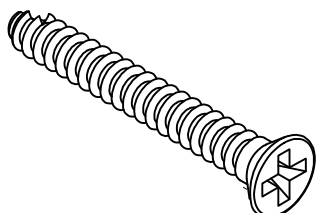


For 13'x19' systems : 90 pcs

Ecoclimatic Accessories For Second Step

EM10100029

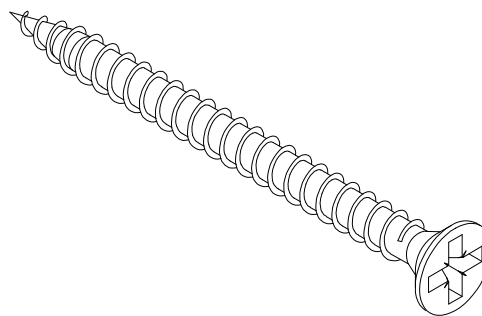
3,9x12mm Screw



For 13'x19' systems : 4 pcs

EM10100007

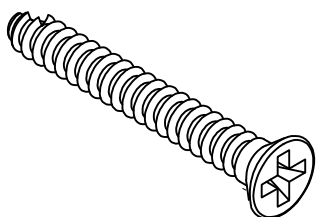
3,9x30mm Screw



For 13'x19' systems : 360 pcs

EM10100030

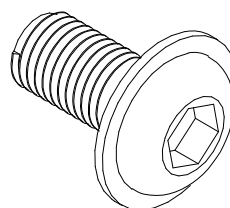
3,9x25mm Screw



For 13'x19' systems : 46 pcs

EM10200030

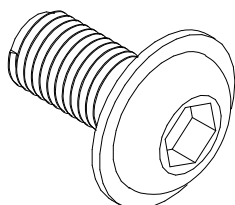
M6X35 Bolt



For 13'x19' systems : 1 pcs

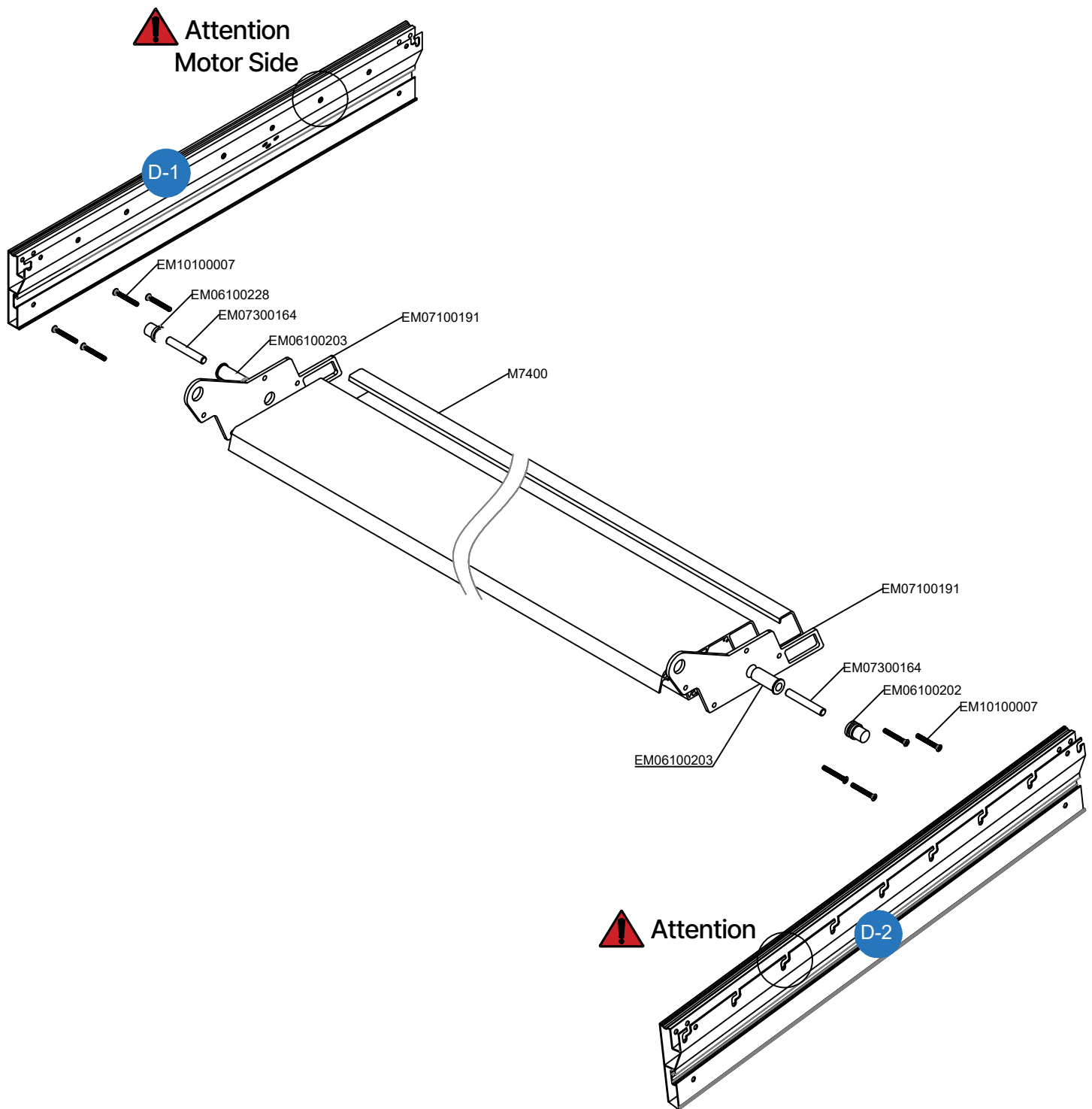
EM10200006

M8X12 Bolt

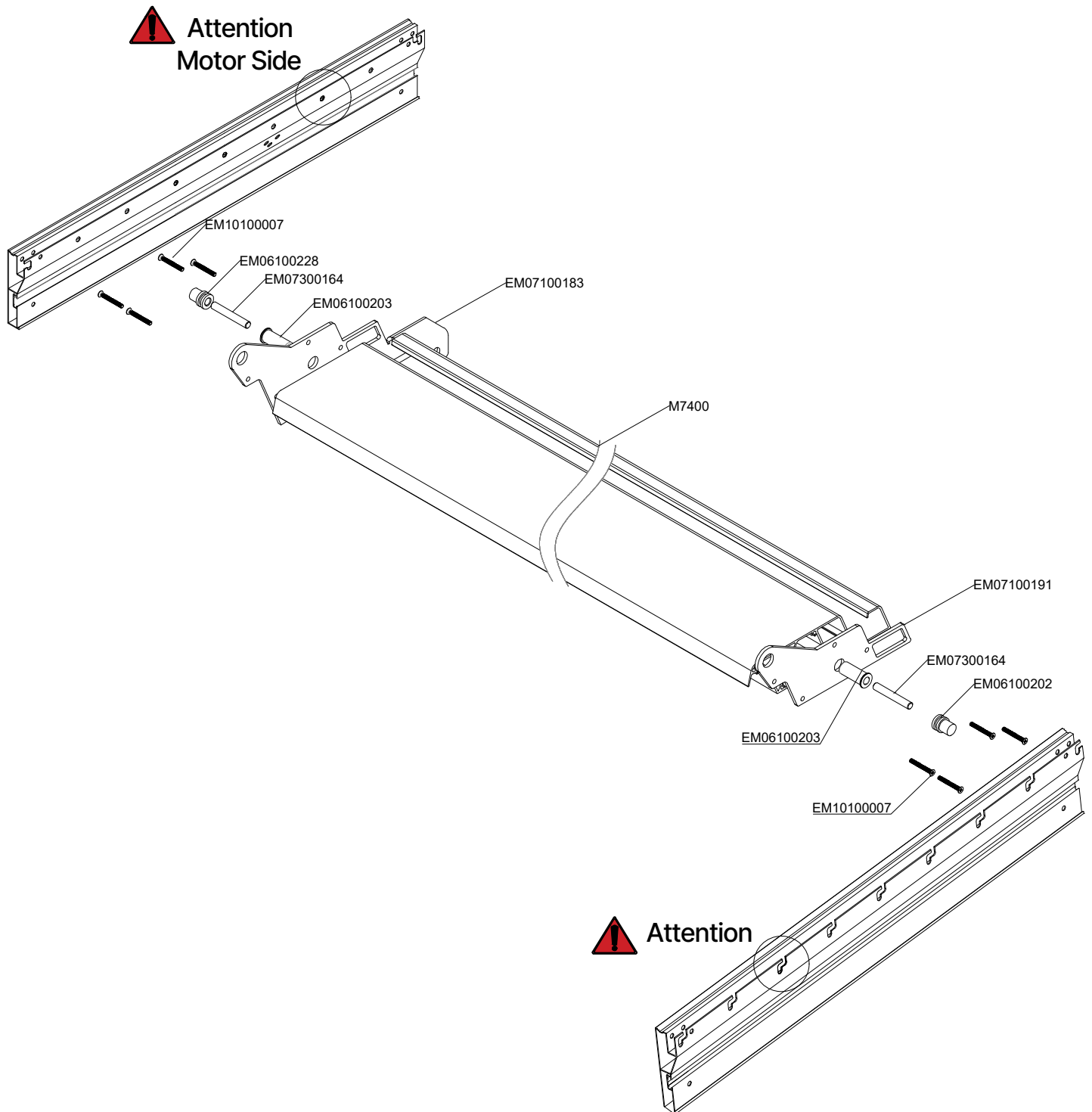


For 13'x19' systems : 12 pcs

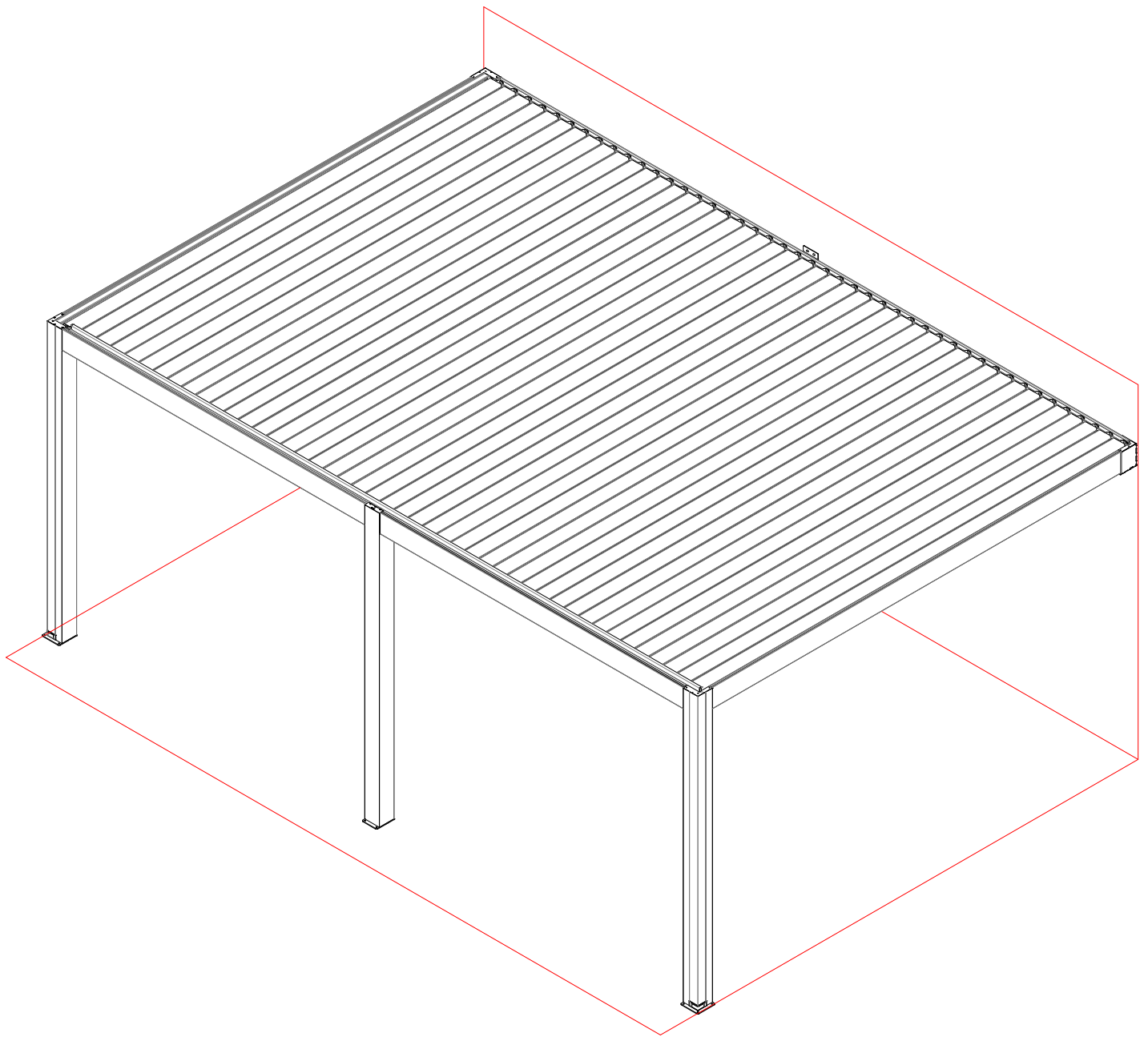
Ecoclimatic Second Step : Preparing Blades



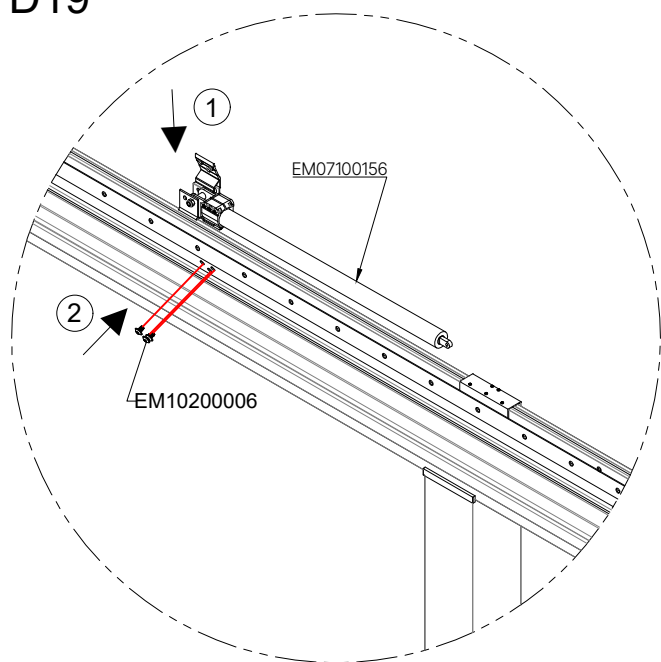
Ecoclimatic Second Step : Preparing Motor Blade



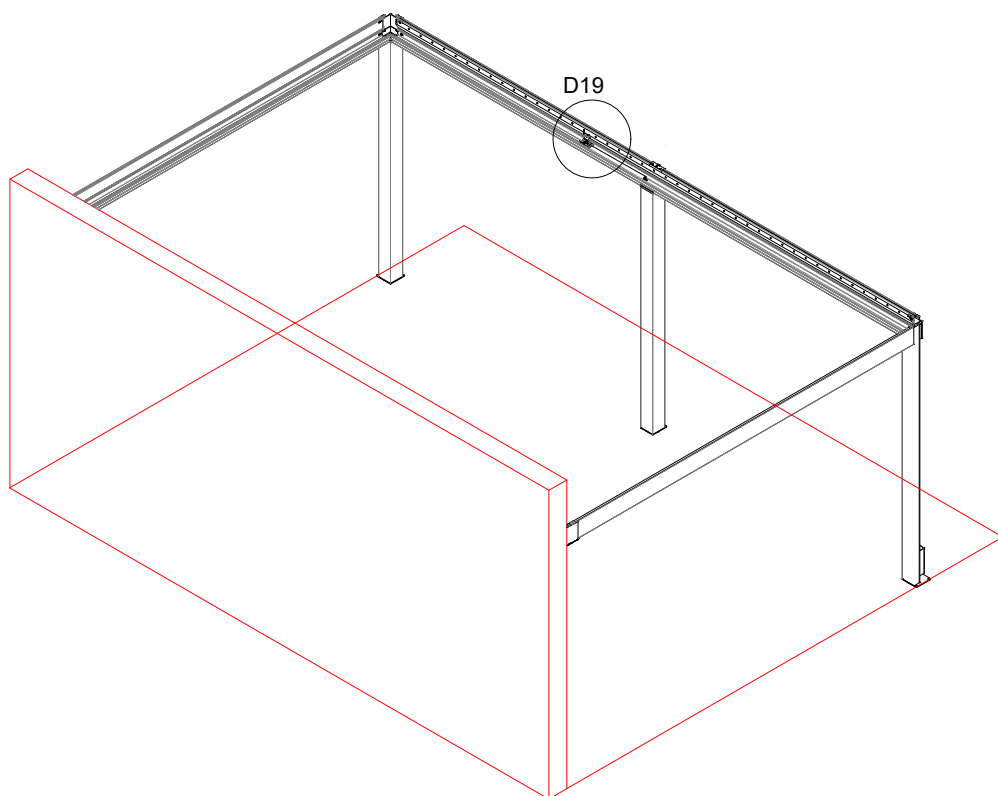
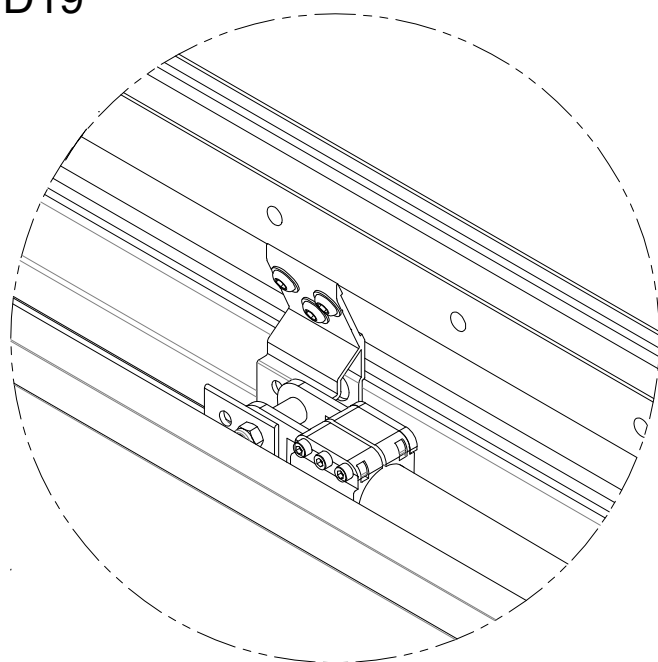
Ecoclimatic Second Step : Mounting Roof



D19

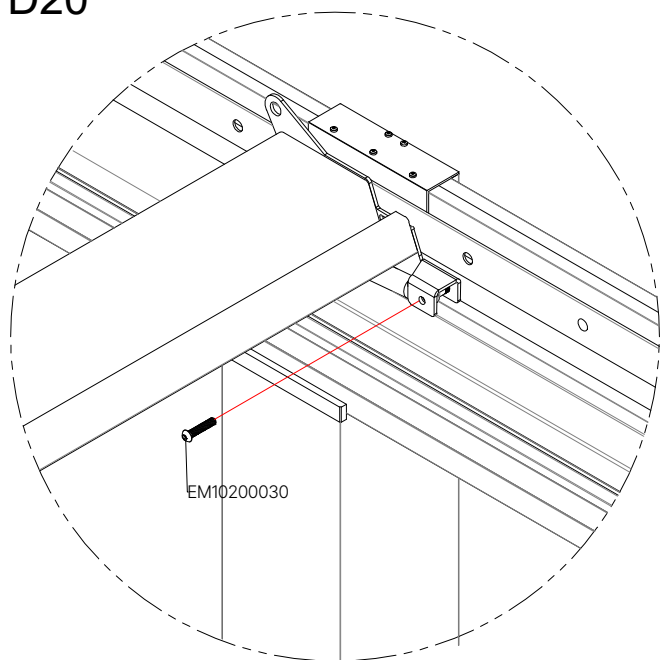


D19

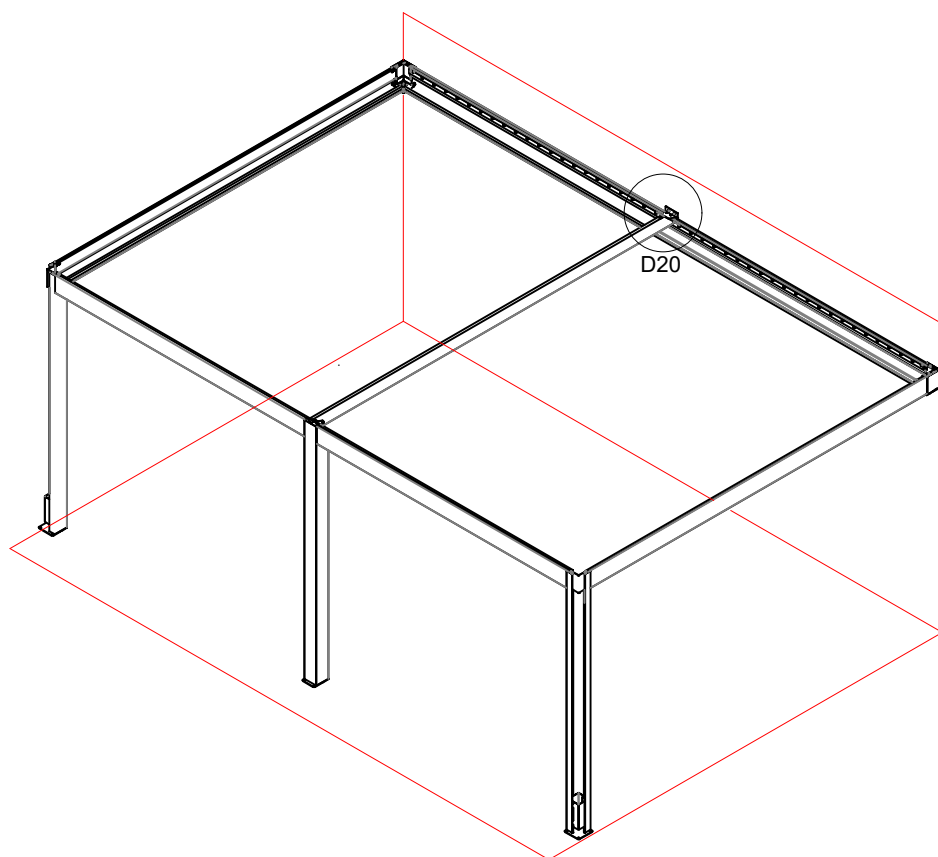
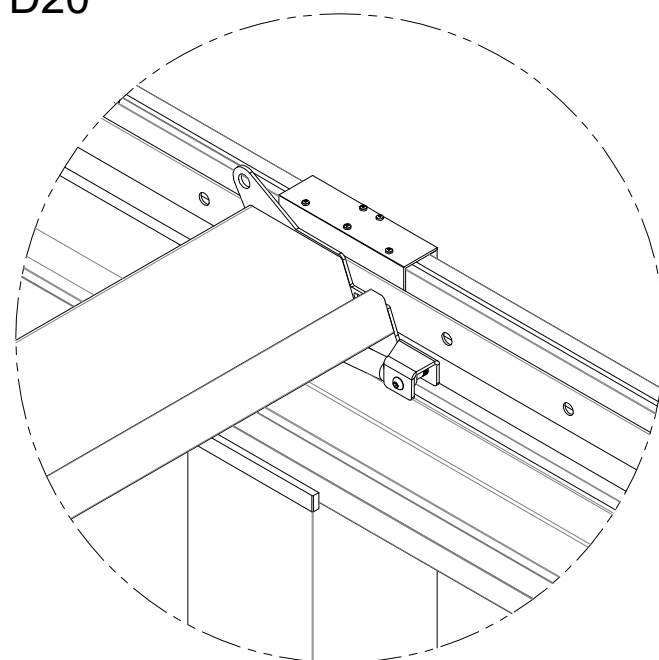


The EM07100156 coded motor is placed and screwed into the 3 holes drilled on the D1 coded profile.

D20

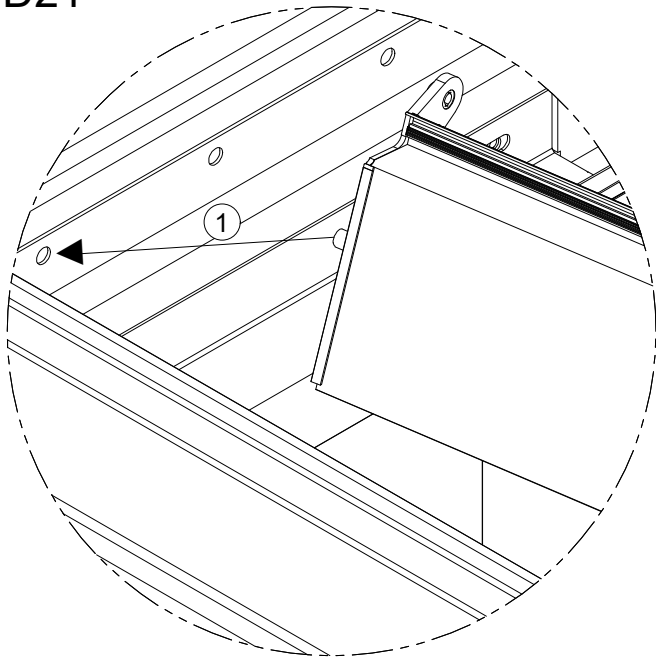


D20

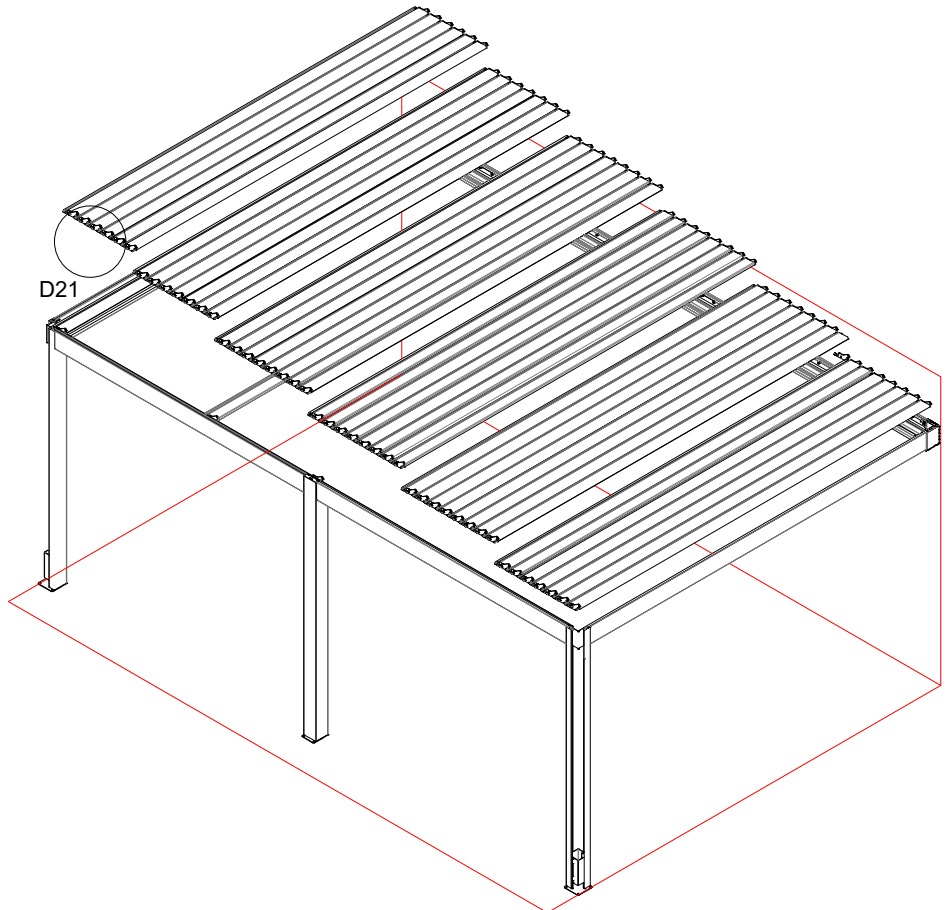
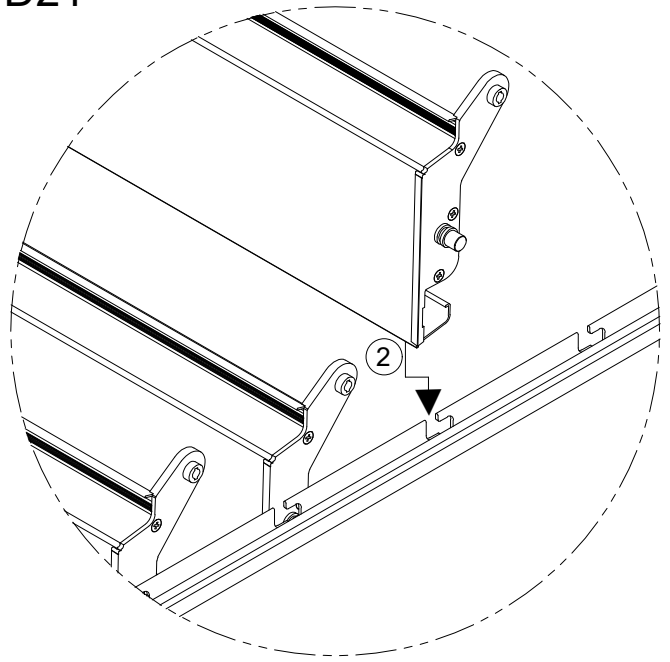


The blade on the motor side is attached at the outermost corner of the motor with code EM07100156 using the screw with code EM10200030.

D21

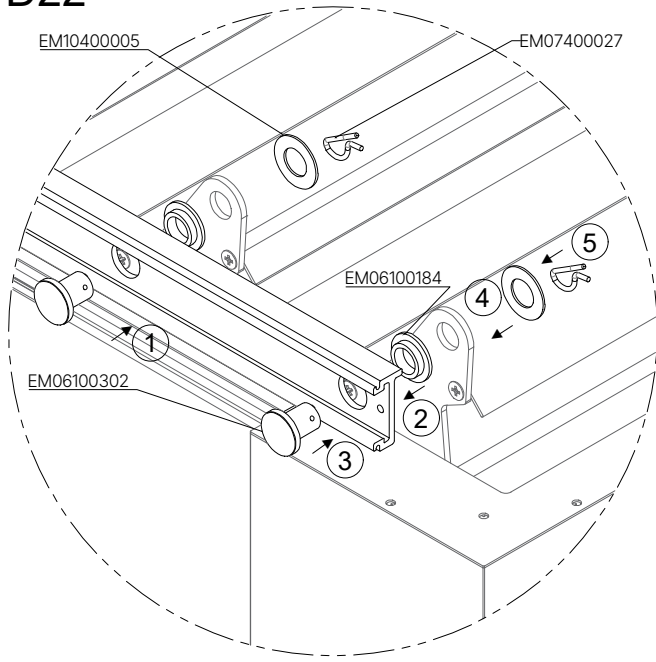


D21

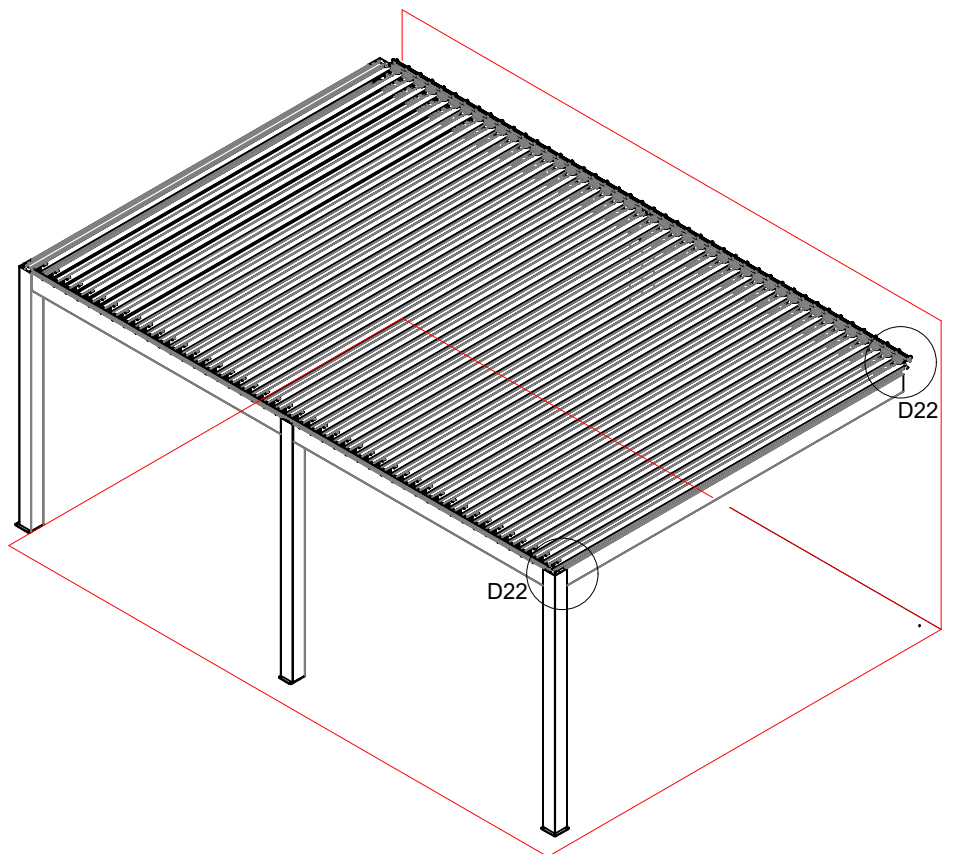
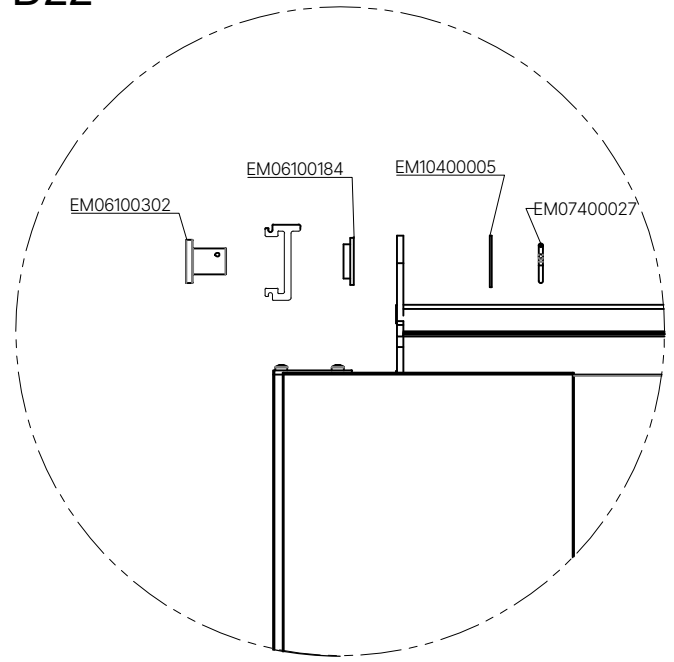


Other previously prepared blades are attached to the channels sequentially as shown above.

D22

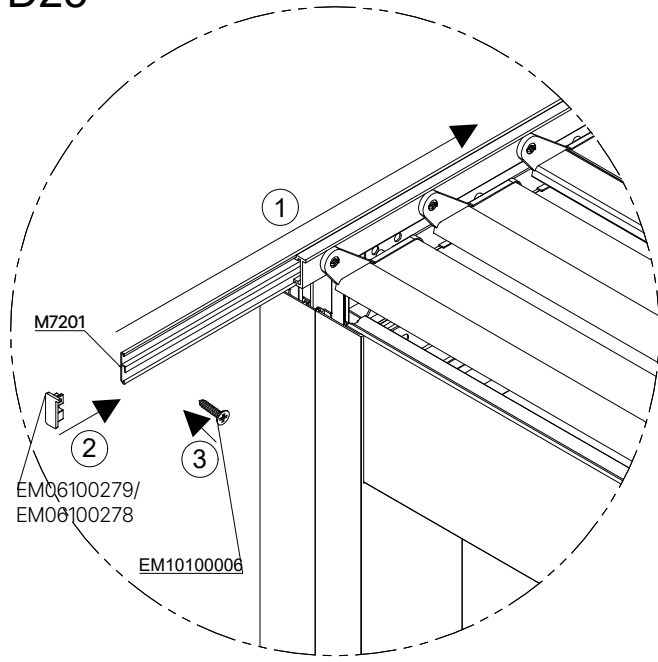


D22

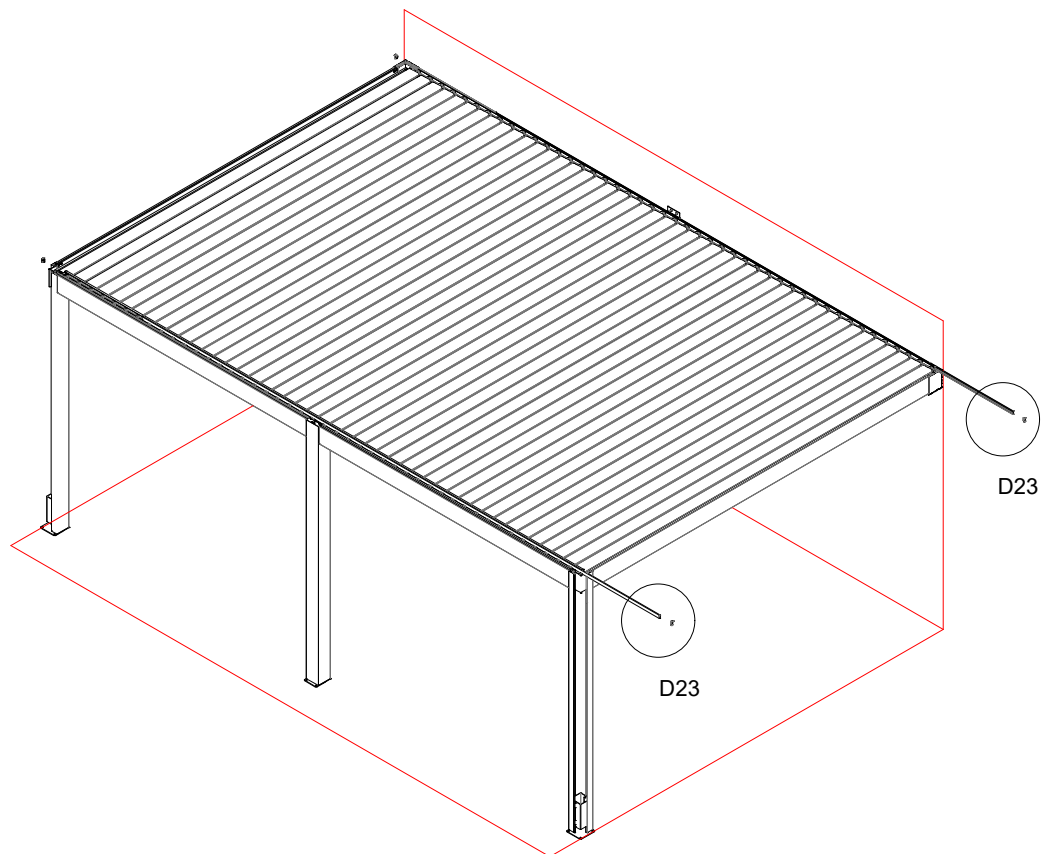
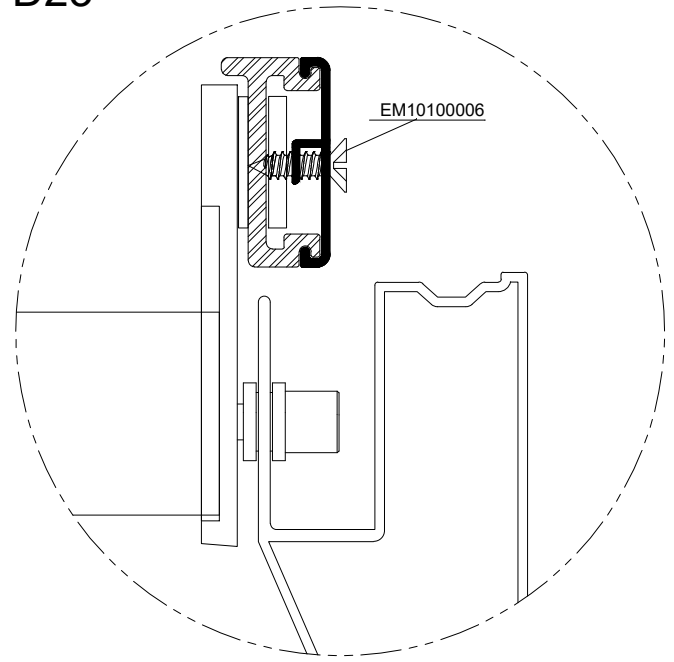


The accessory with code EM06100184 is attached to the profile with code M7031. Then, the accessories with codes EM10400005 and EM07400027 are attached in sequence.

D23

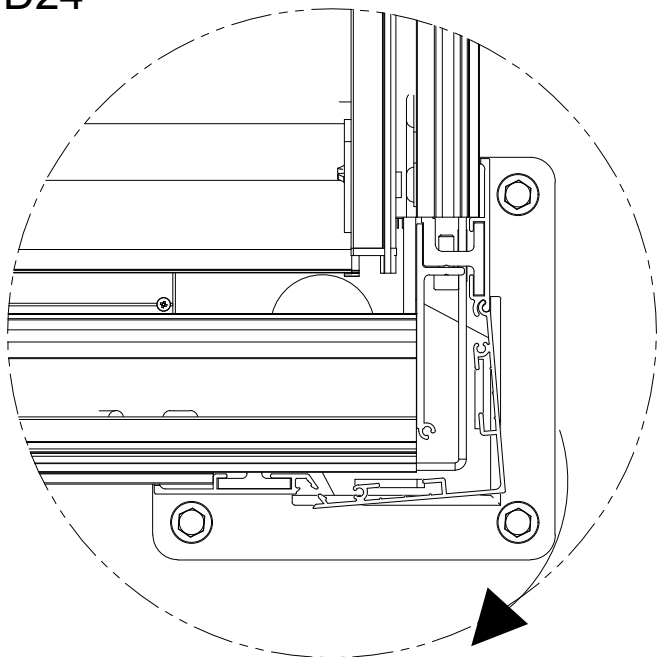


D23

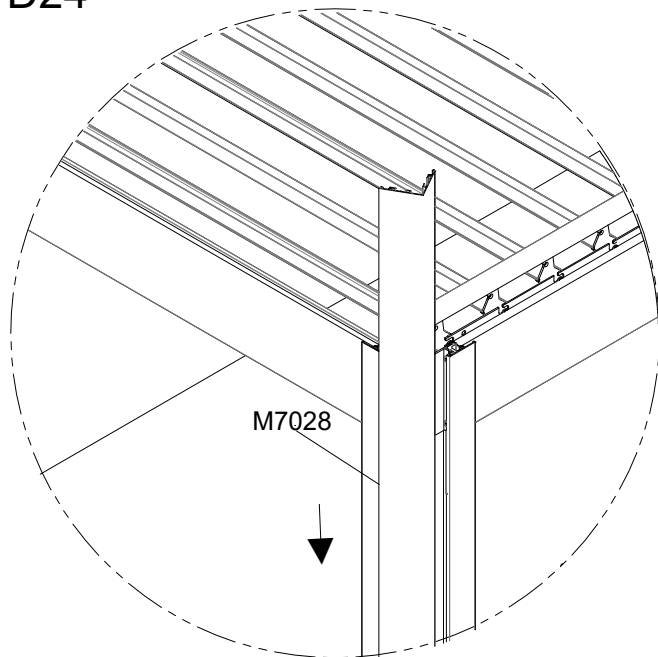


The cover profiles of the joint arm (M7201) are inserted. The plastic covers to be used on the front and back are fixed by screwing after they are installed.

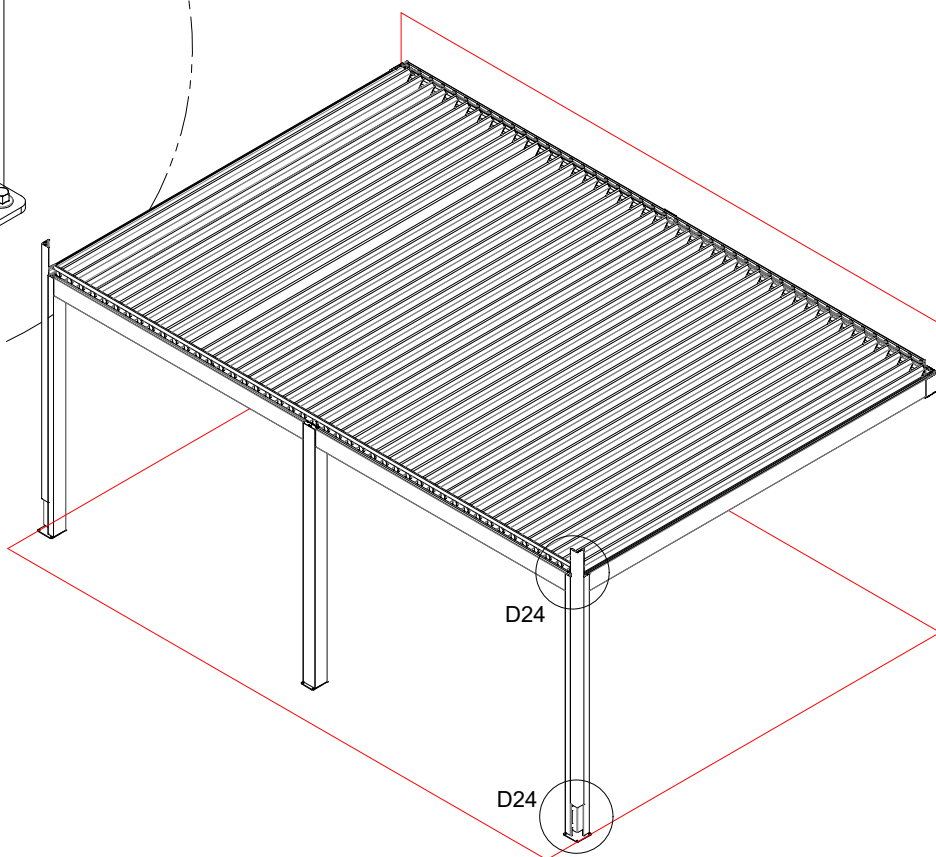
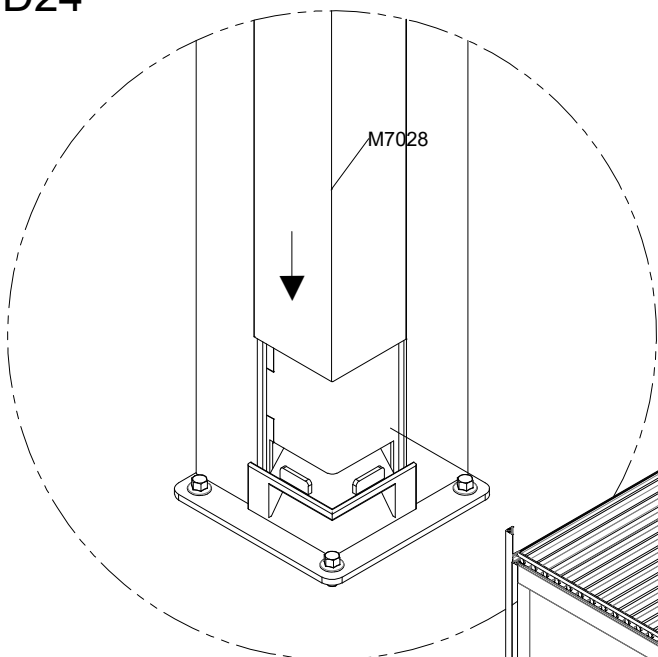
D24



D24

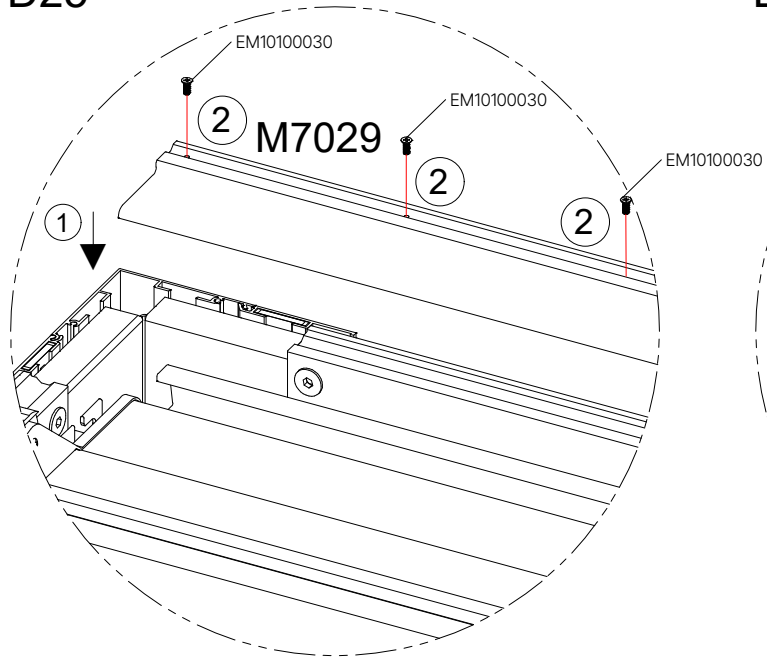


D24

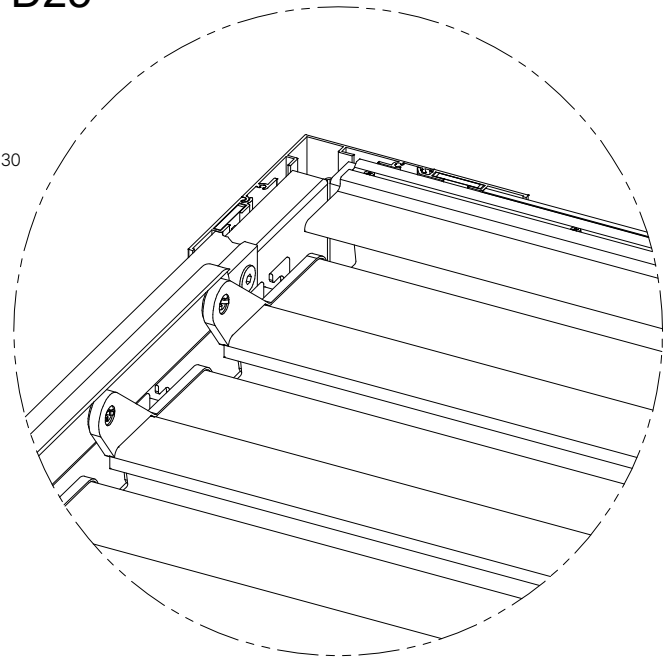


The pillar covers (M7028) on the front of the system are placed on the tabs and installed from top to bottom.

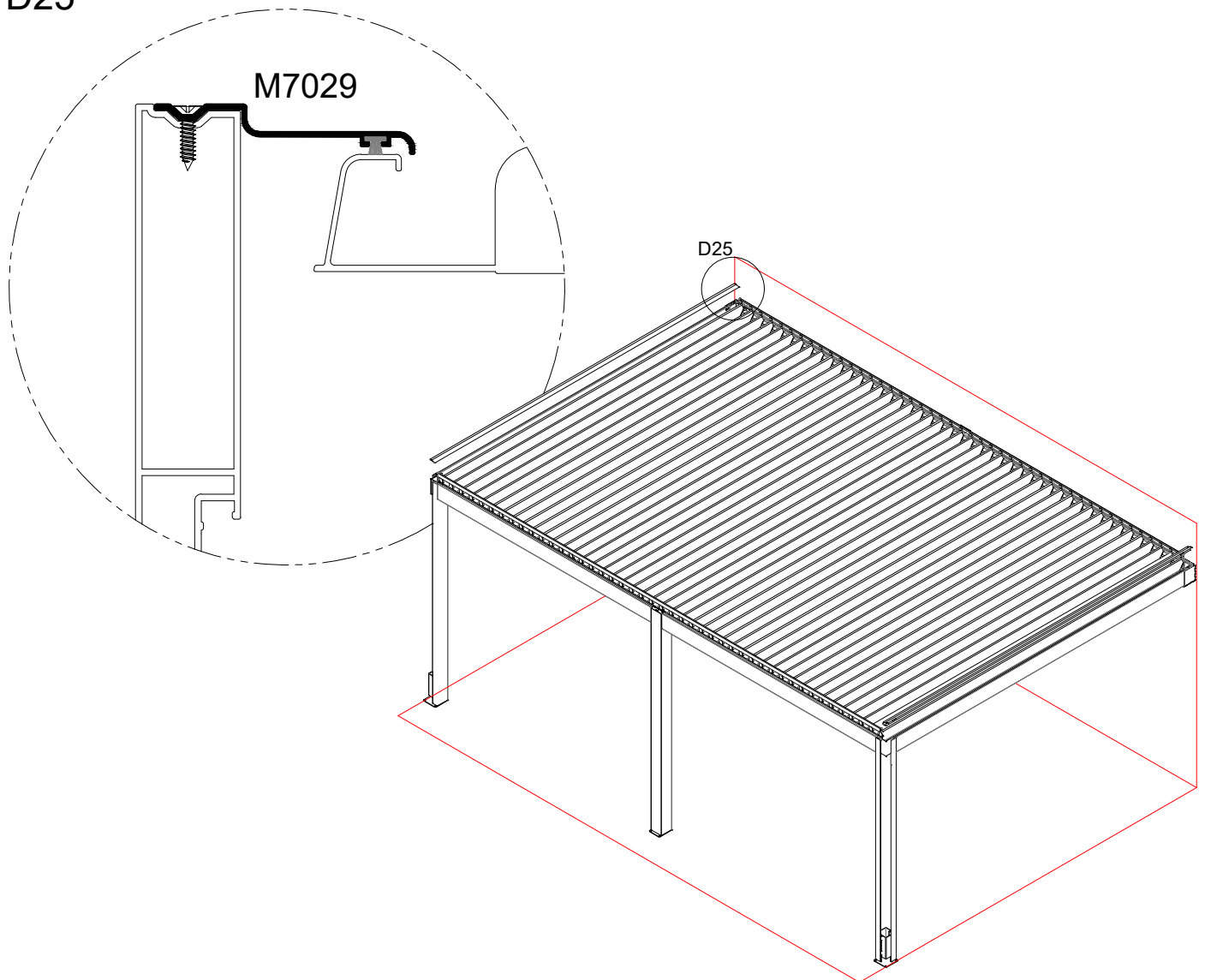
D25



D25

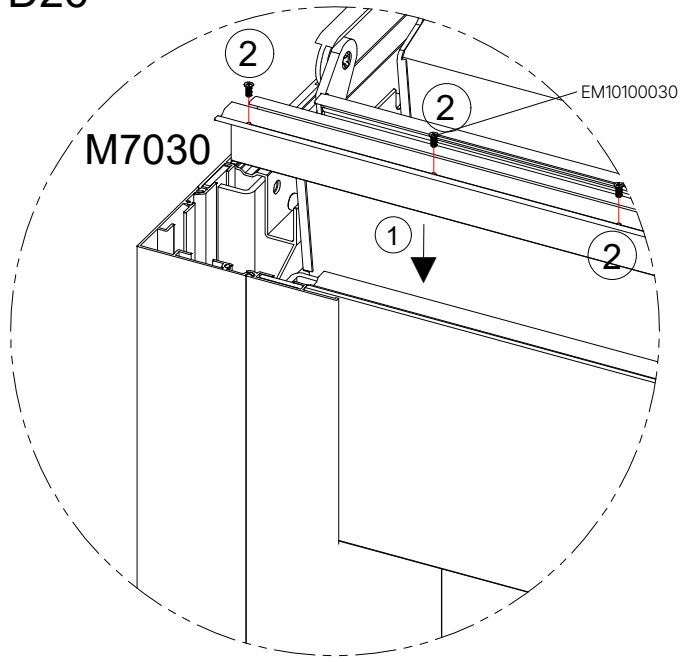


D25

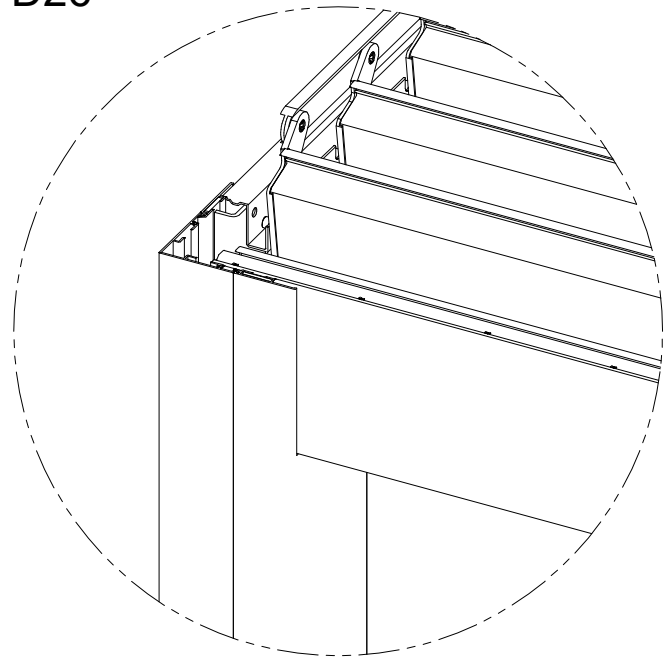


The rear cover profile is installed and screwed as shown above.

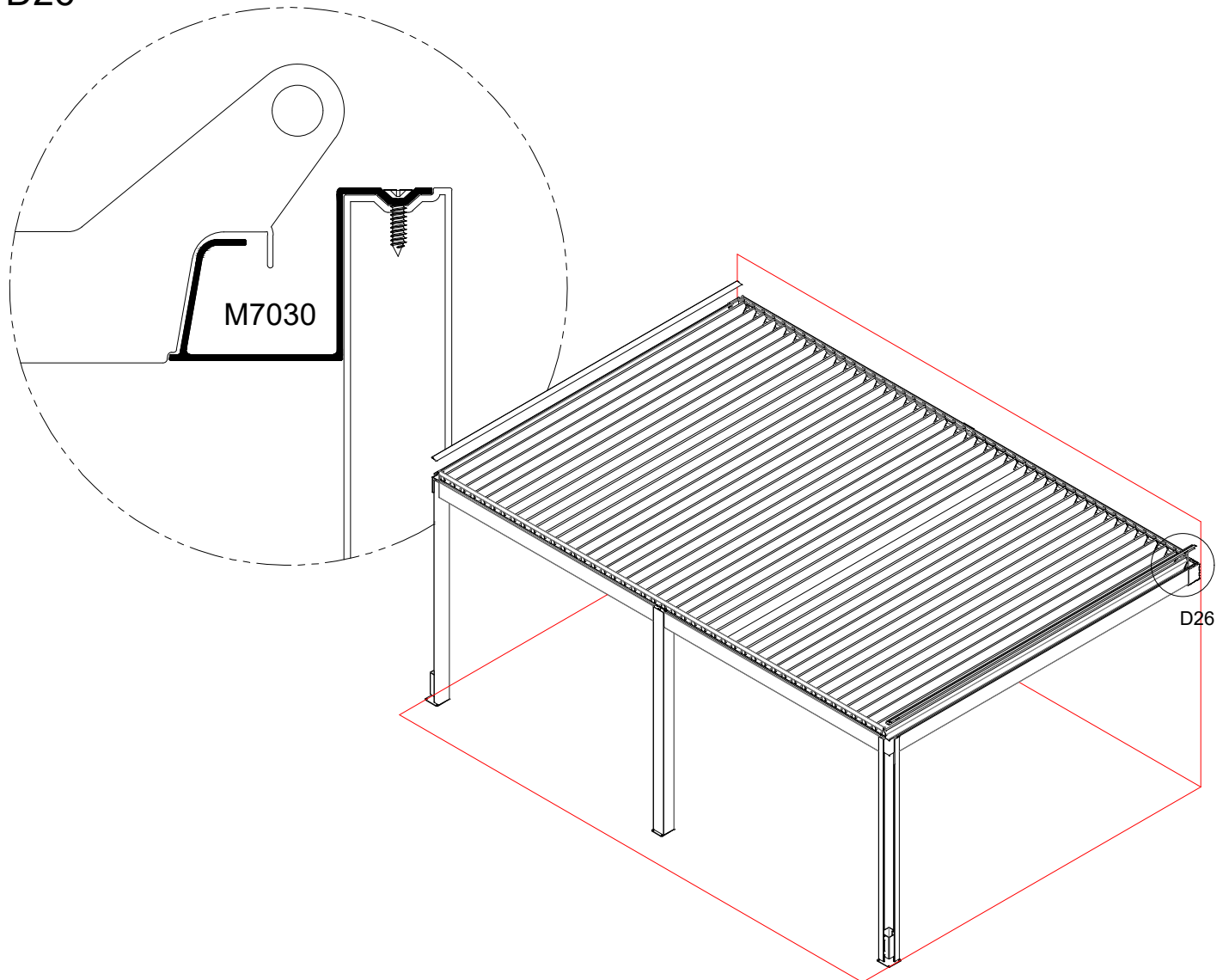
D26



D26



D26



The rear cover profile is installed and screwed as shown above.

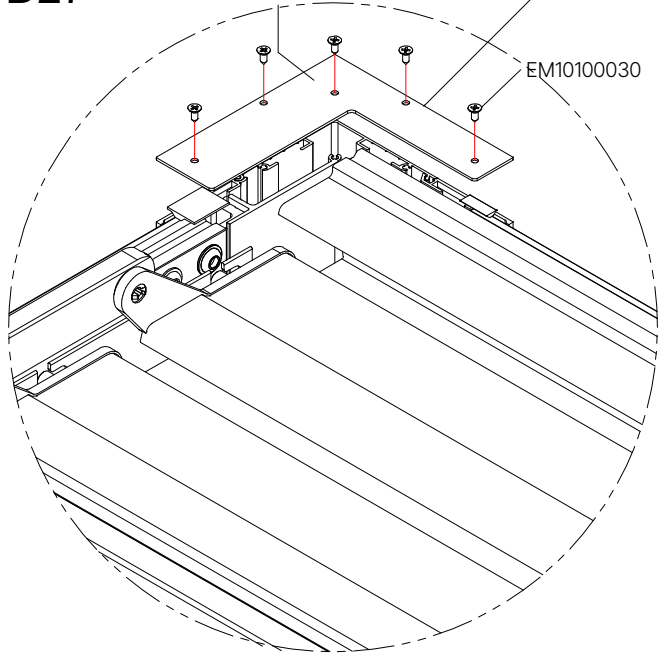
D27



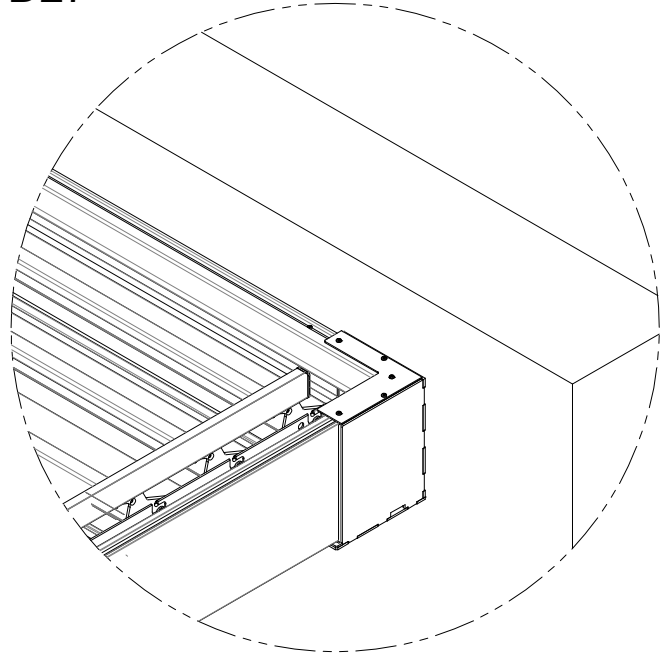
The thick edge should be oriented towards the P direction.

EM07100105

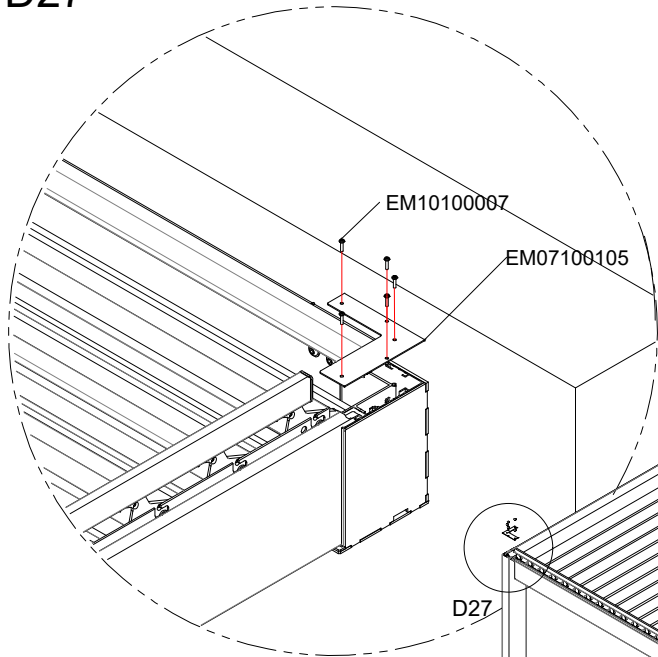
EM10100030



D27



D27



EM10100097

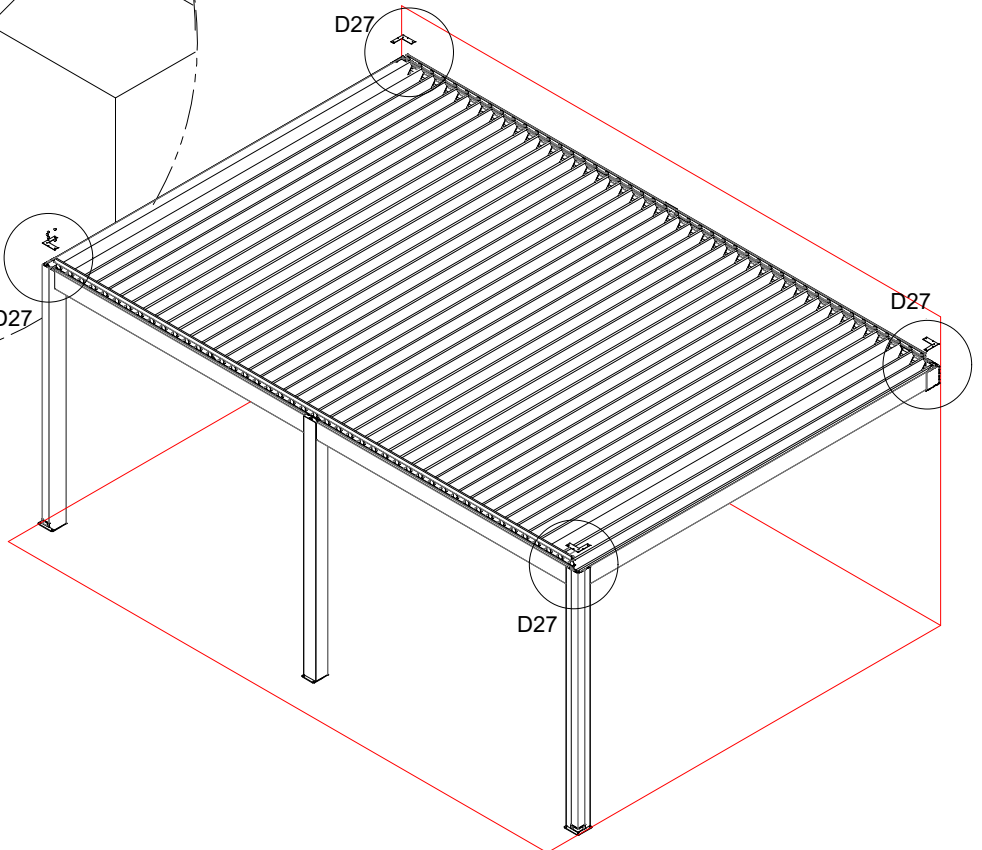
EM07100105

D27

D27

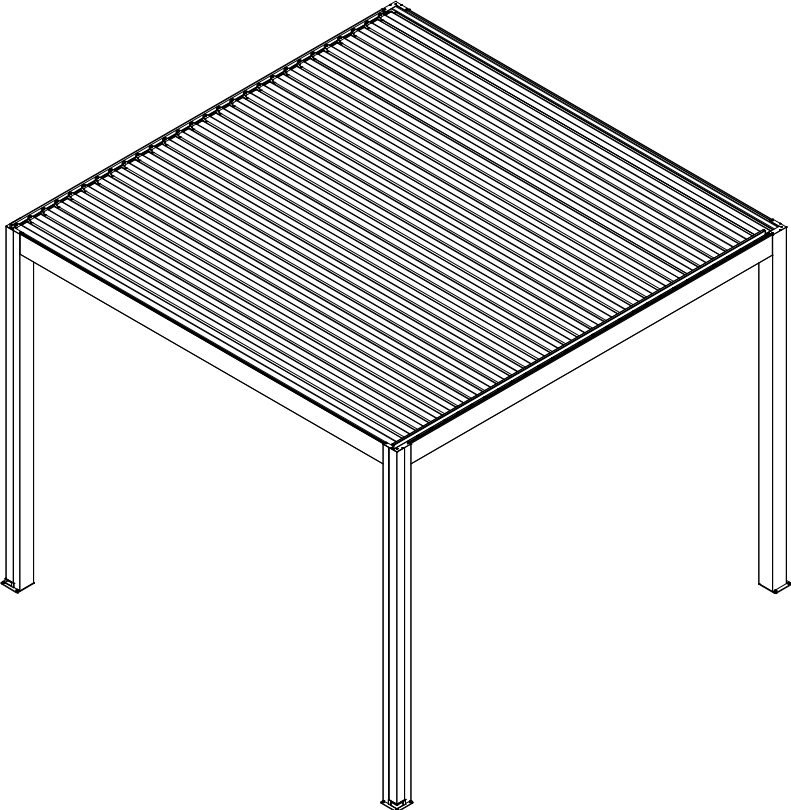
D27

D27

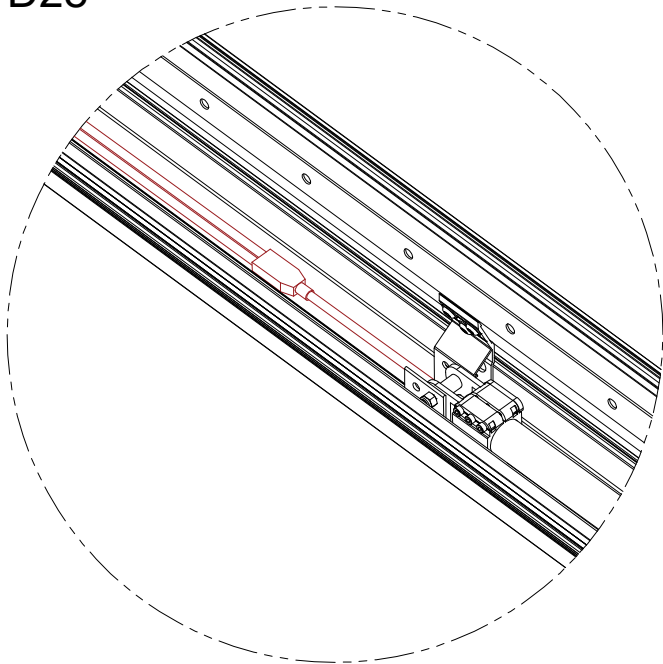


Corner covering plates are installed and screwed as above. The system is completed.

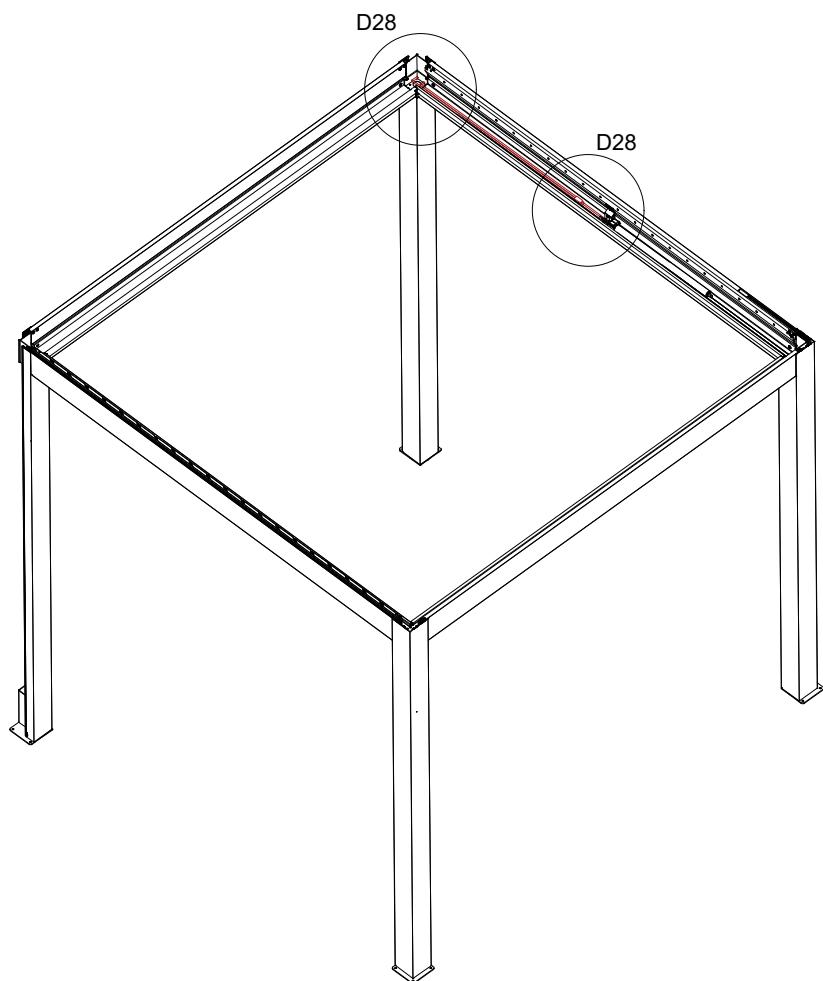
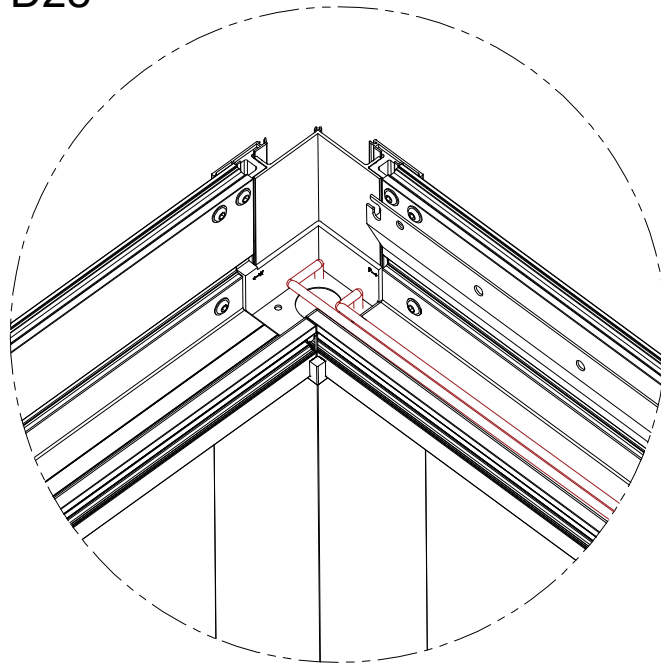
Chapter 1 : Led and Motor Cable Installation



D28

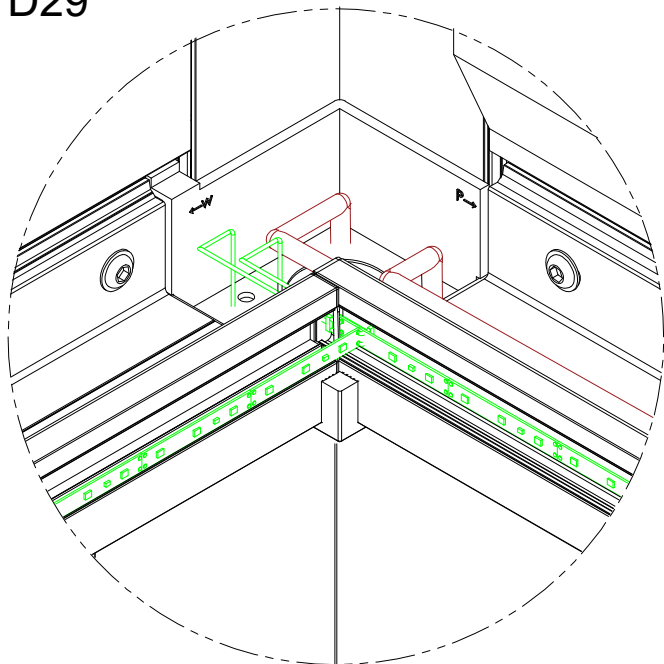


D28

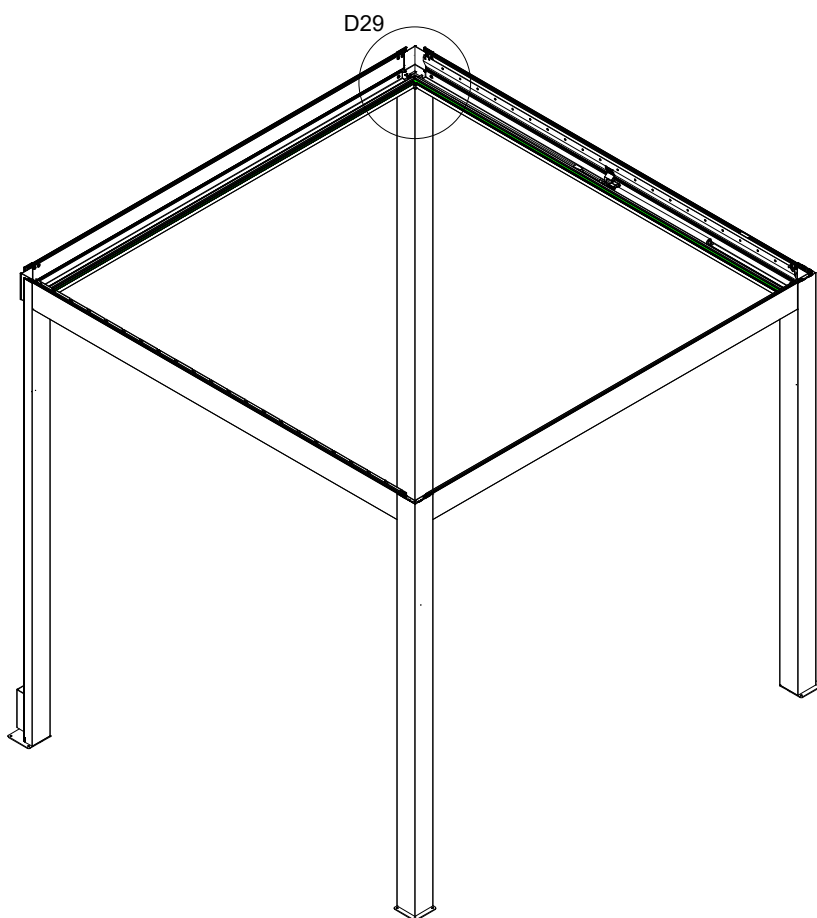
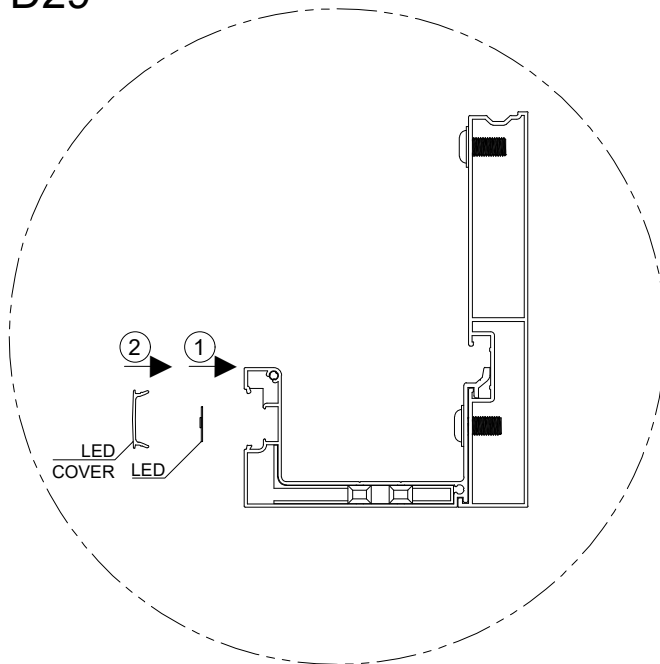


Two cables exiting from the motor are suspended down into the pillar through the designated cable exit points, inside the covered pillar.

D29

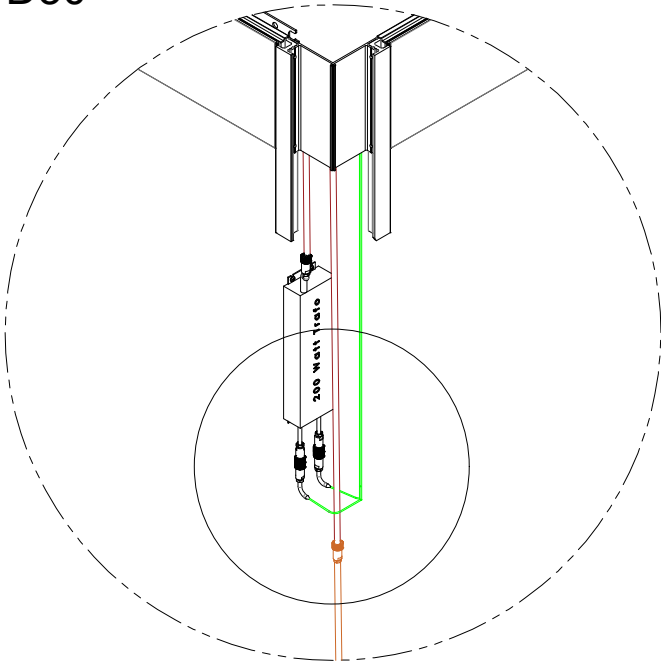


D29

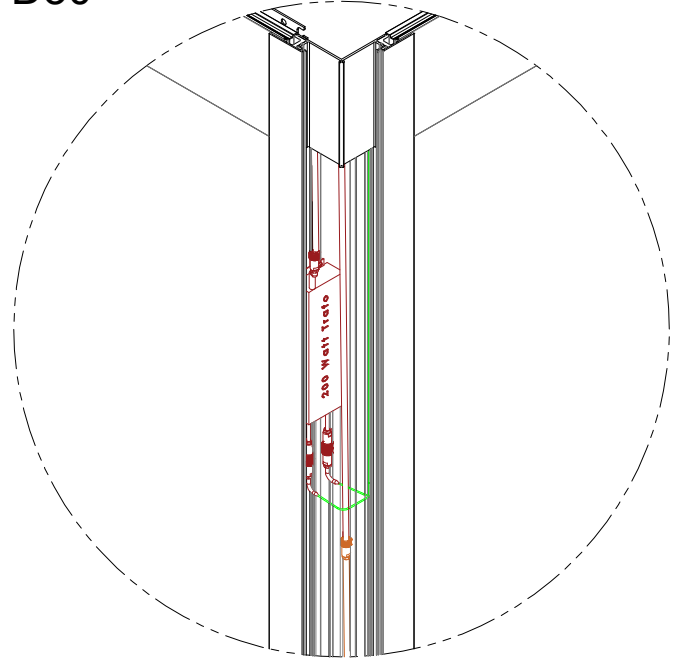


The LED application starts from the corner where the motor cables are connected and continues along the entire frame. The two cables belonging to the LED are suspended down from the single designated exit point on the seal. After the LED is installed, a PVC cover is placed over it.

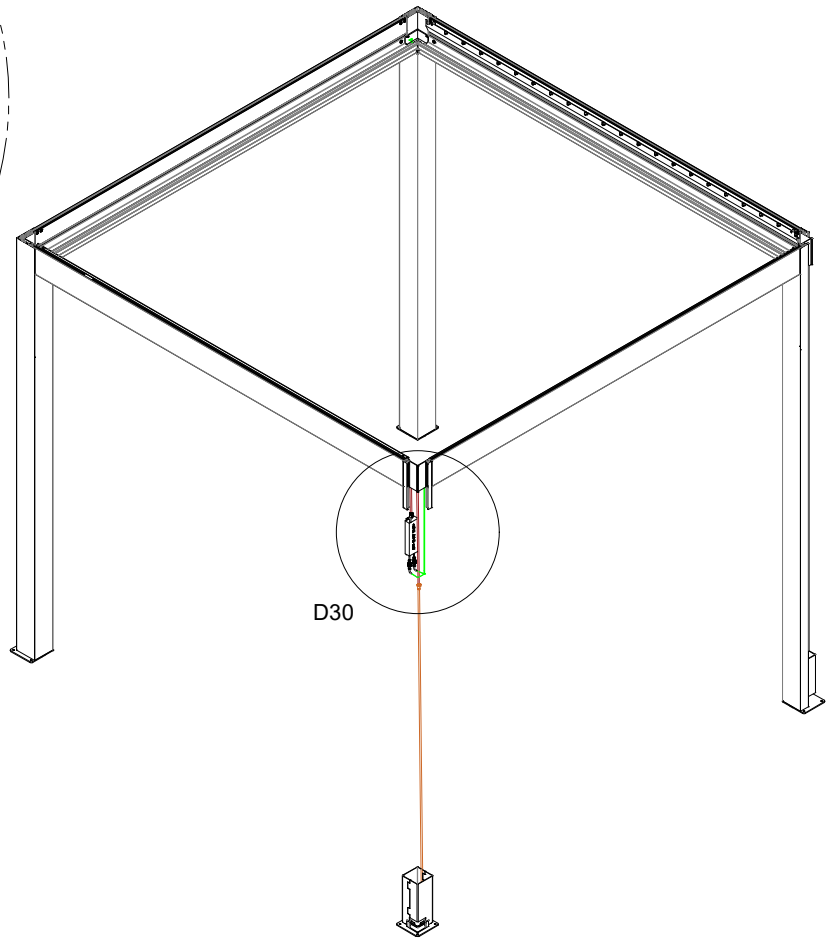
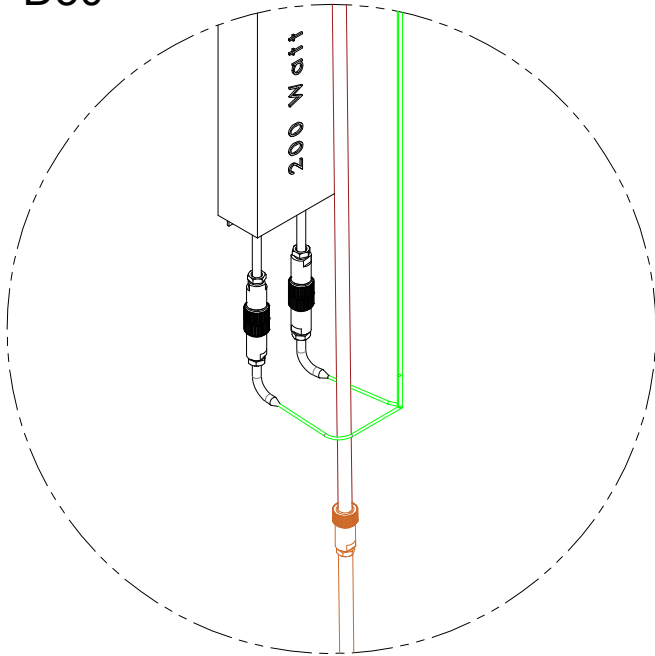
D30



D30

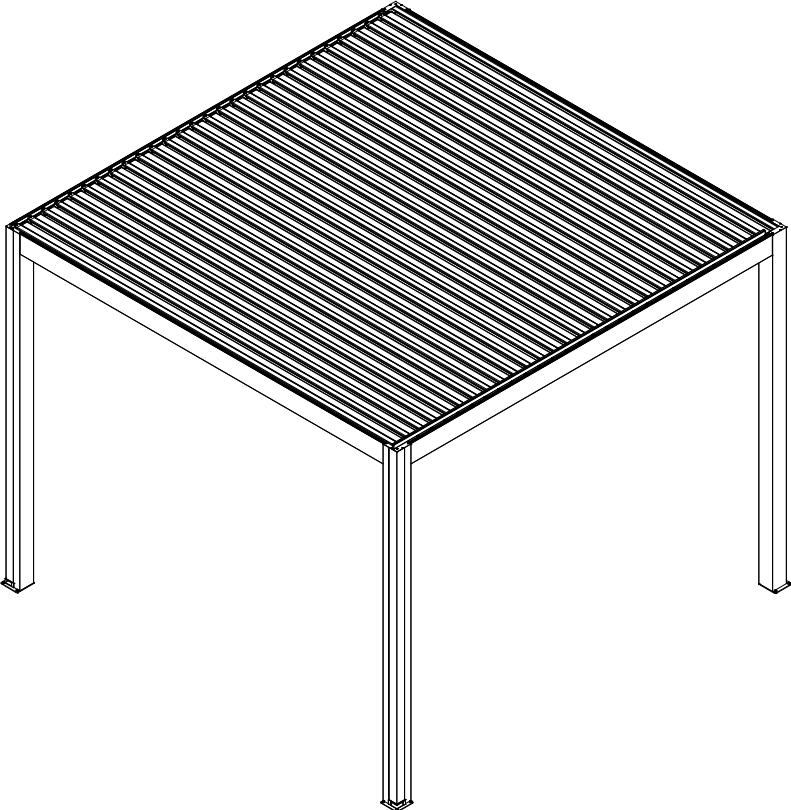


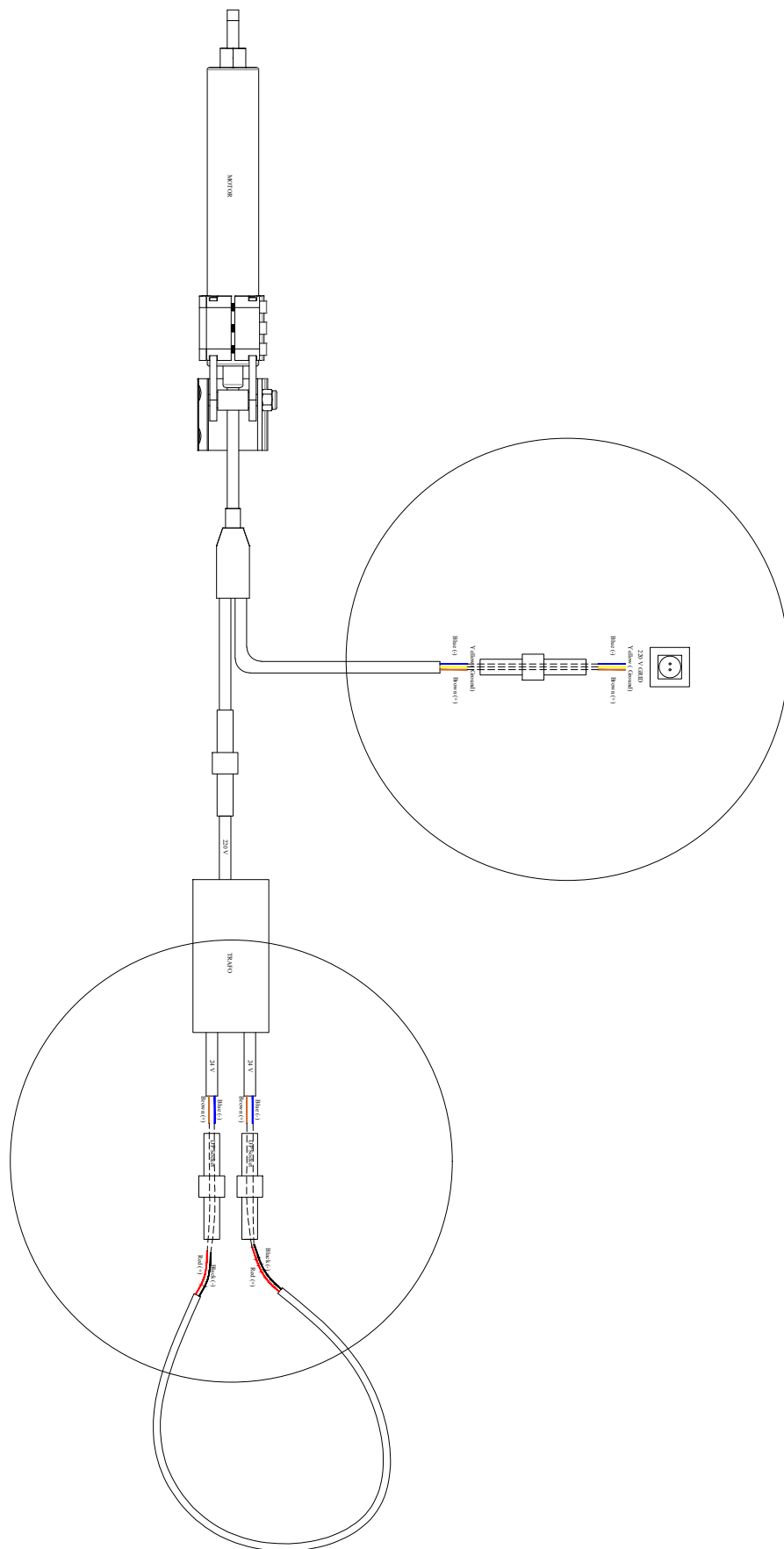
D30

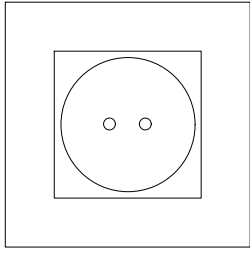


The AC220V cable from the motor is connected to the mains line via a connector. The other cable is connected to the input section of the converter. The two cables from the LED are separately connected to the connectors on the output section of the converter.

Chapter 2 : Electrical Wiring

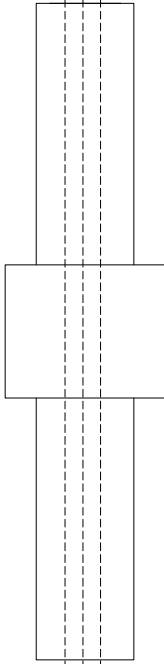
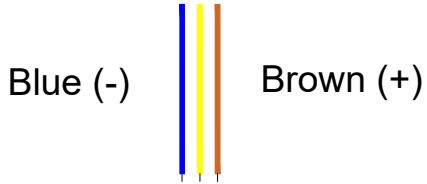






220 V GRID

Yellow (Ground)



Yellow (Ground)

