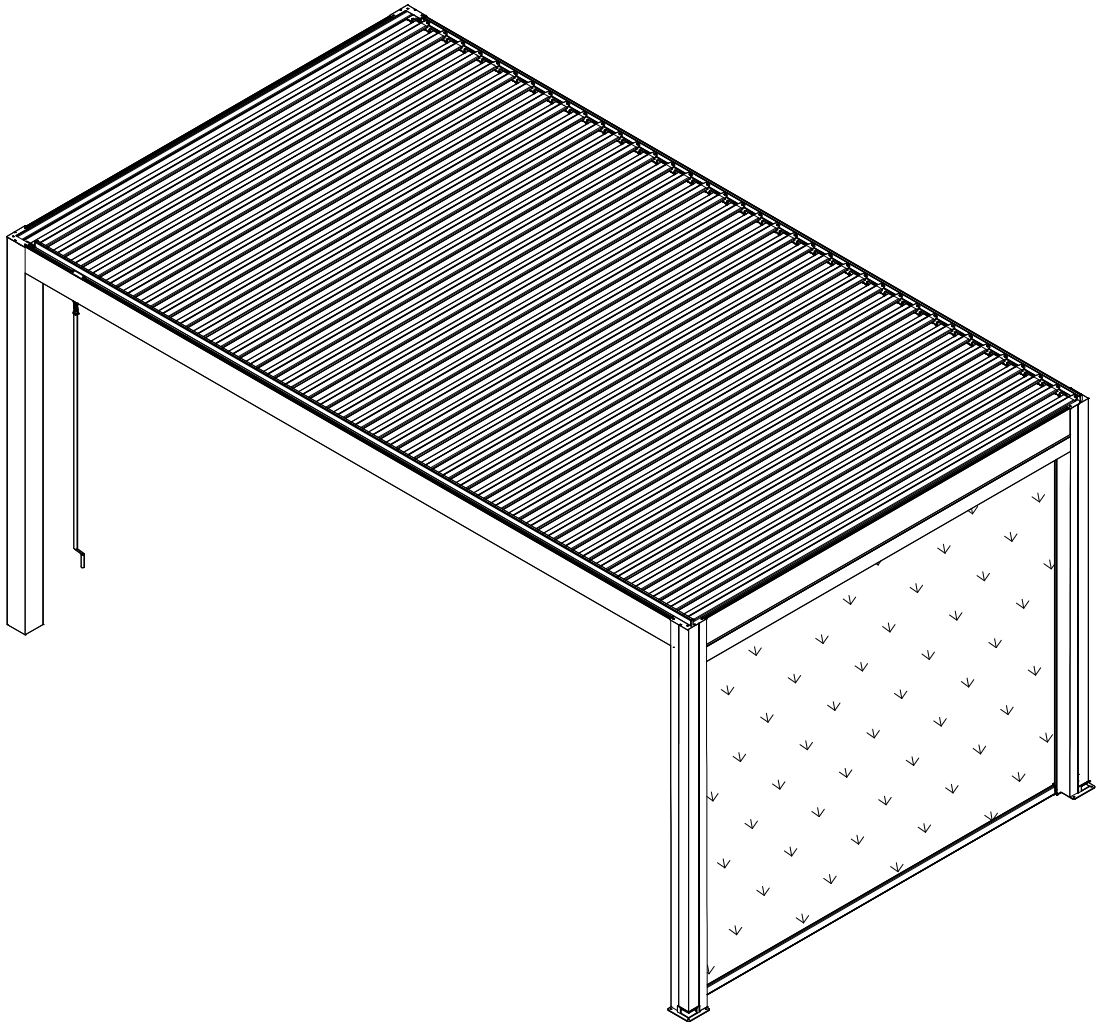
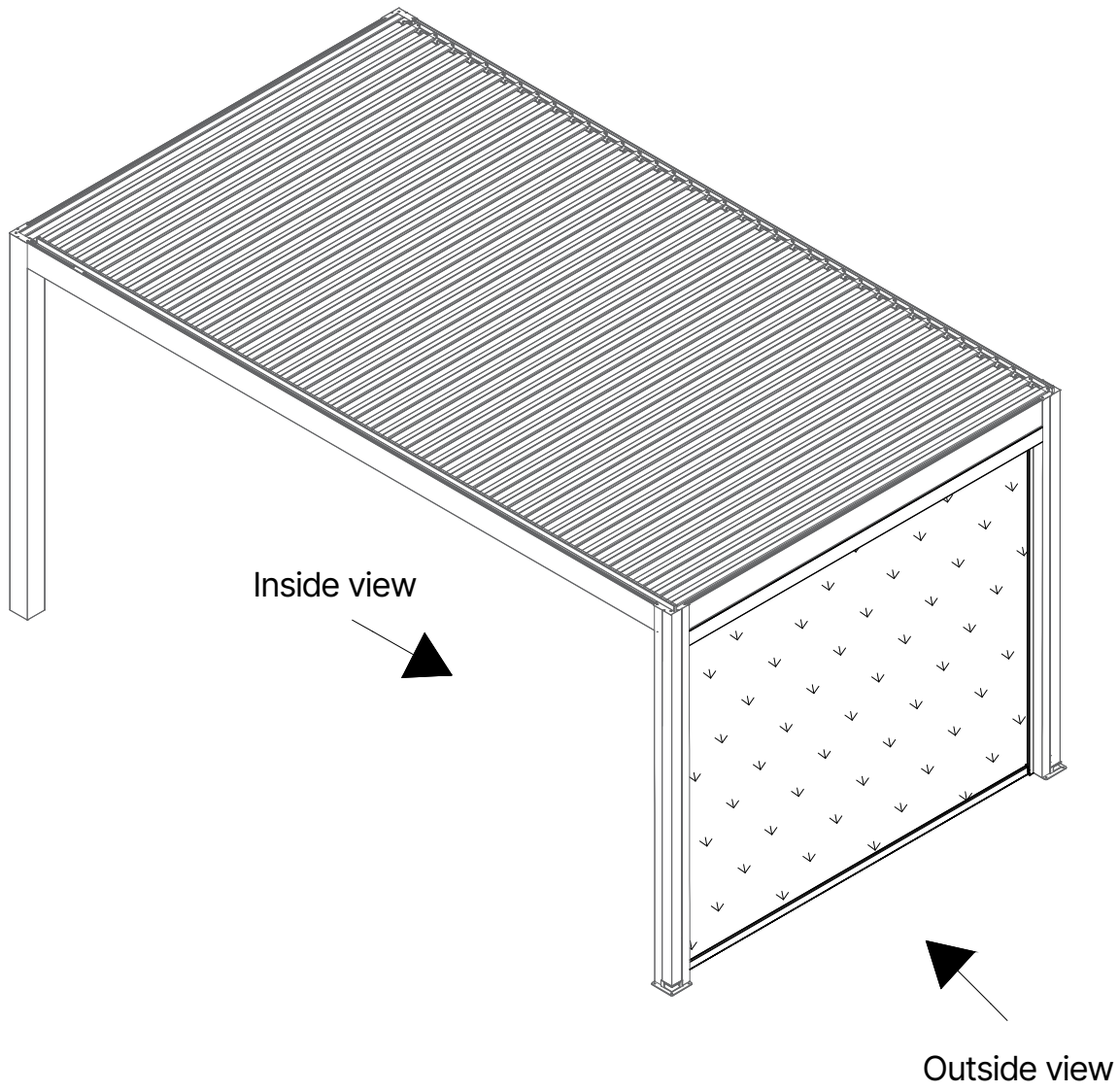


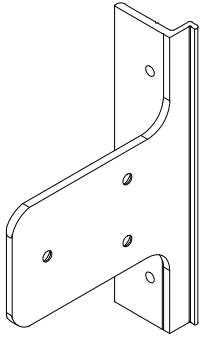
Manual Screen



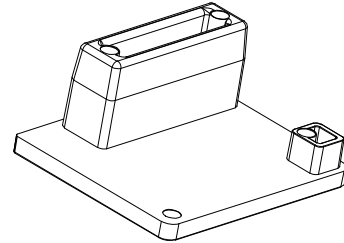


Manual Screen Accessories

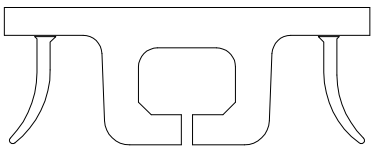
EM07200061



EM06100161

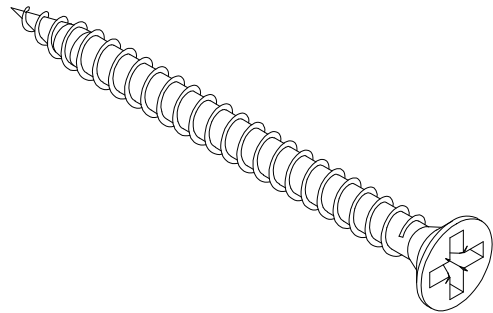


EM06100162



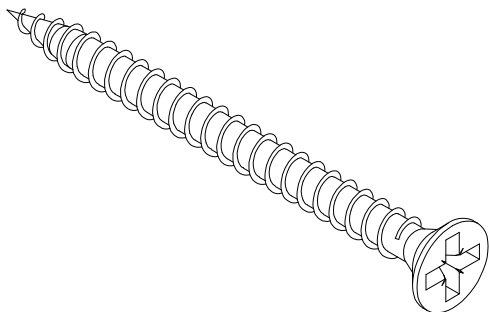
EM10100008

3,9x25mm (0.15"x1") Screw



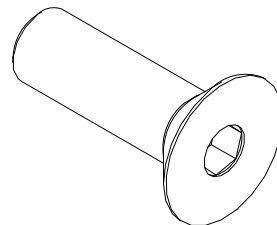
EM10100013

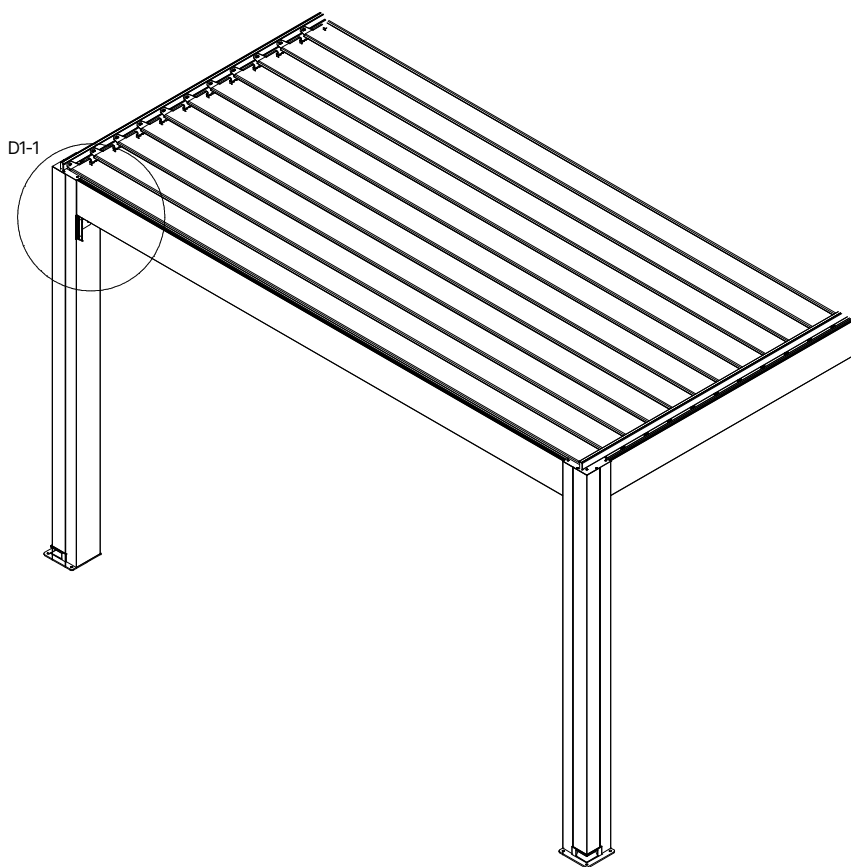
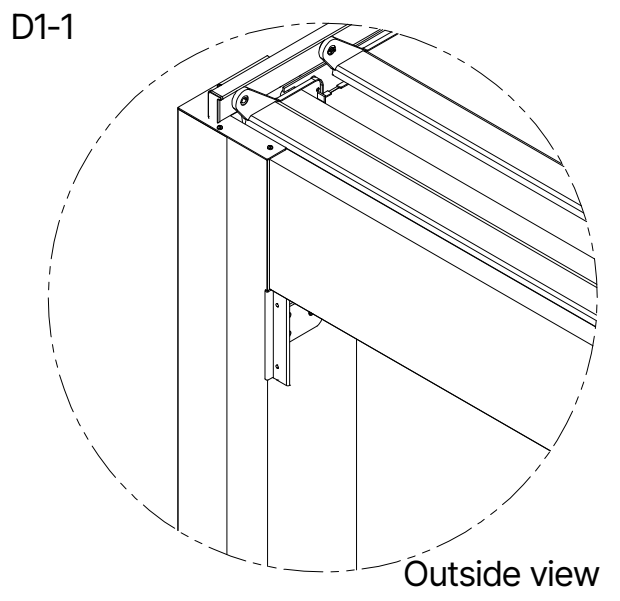
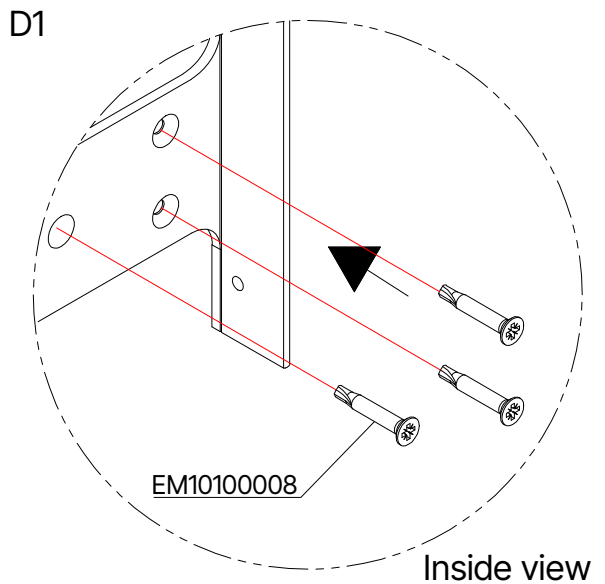
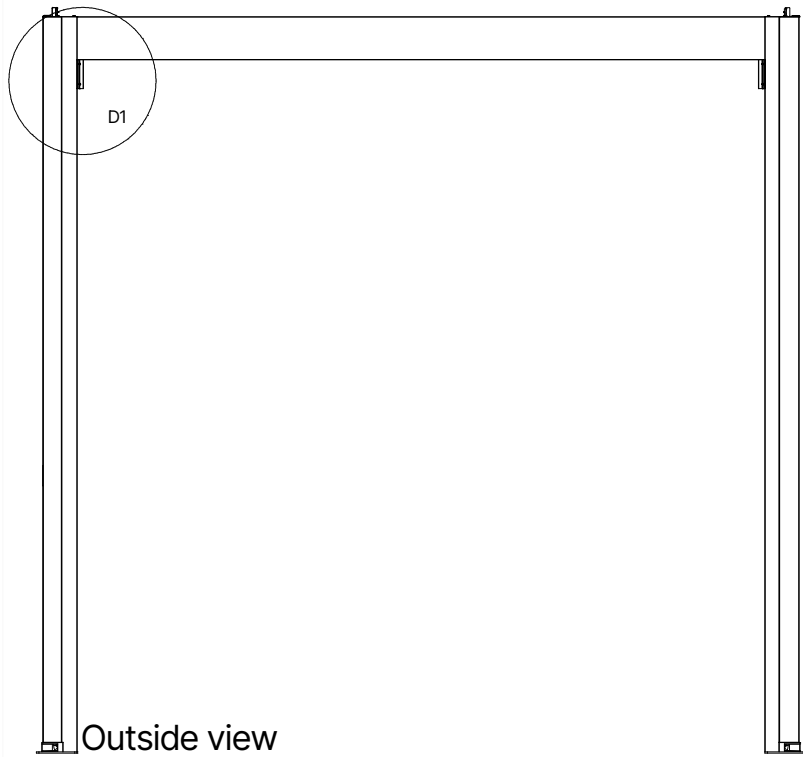
3,9x38mm (0.15"x1-1/2") Screw



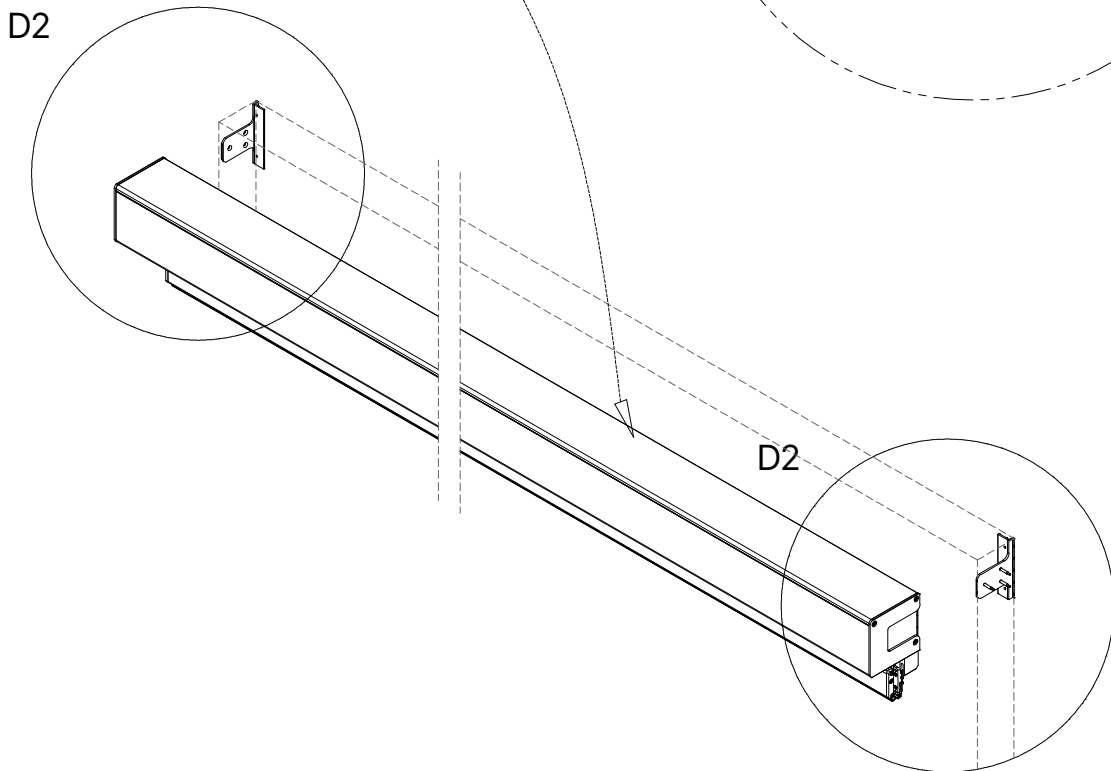
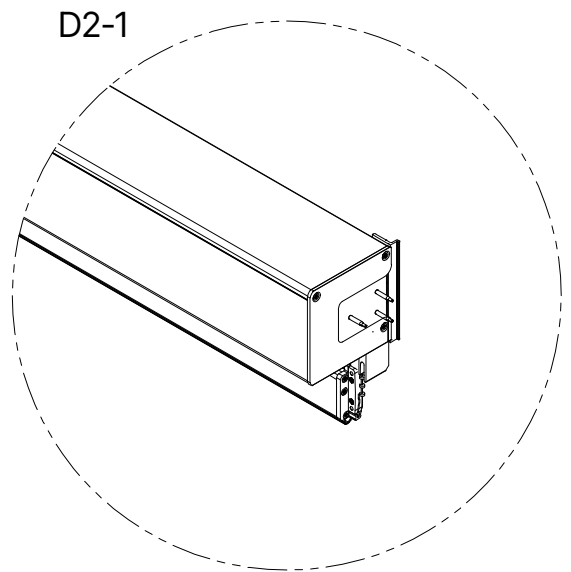
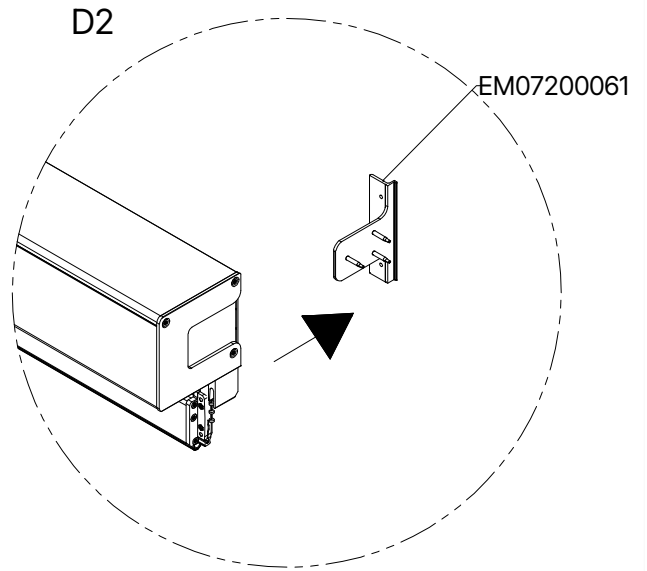
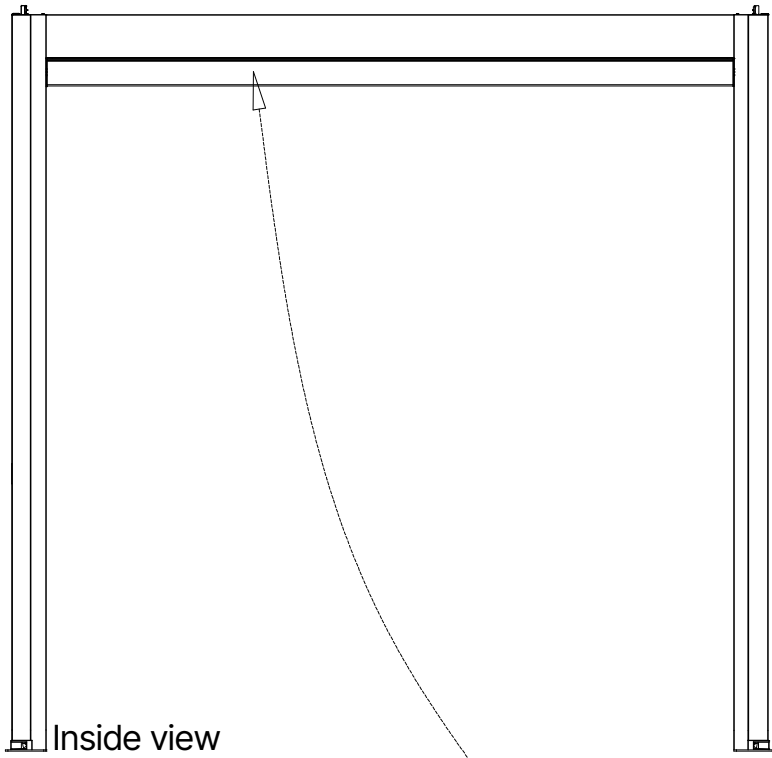
EM10100011

M5X16 (5x16mm, ~3/16"x5/8") Bolt

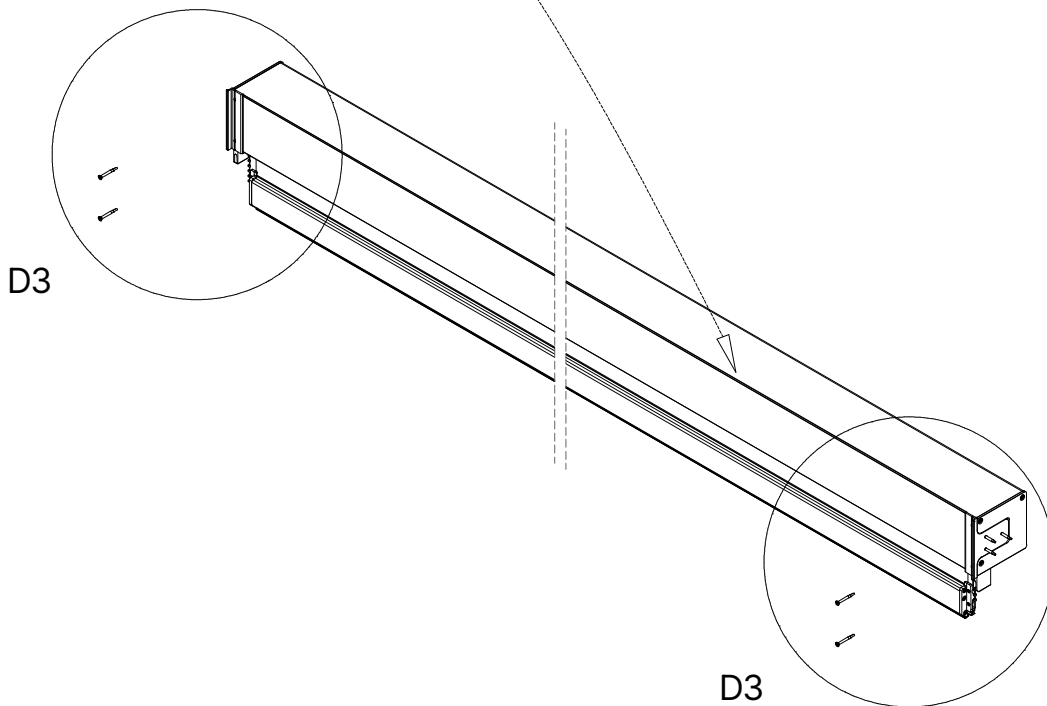
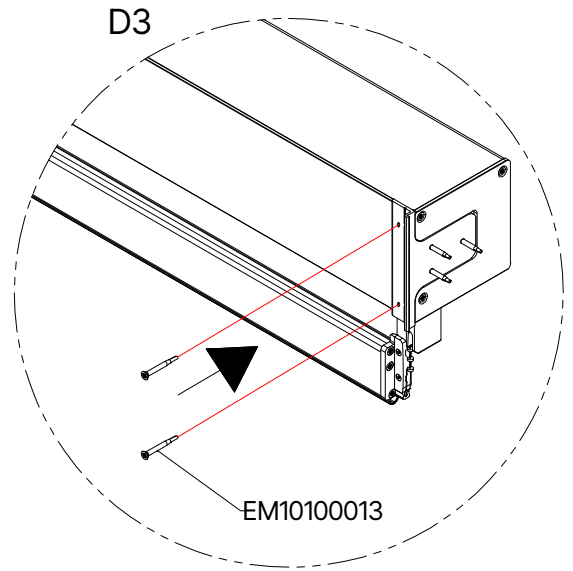
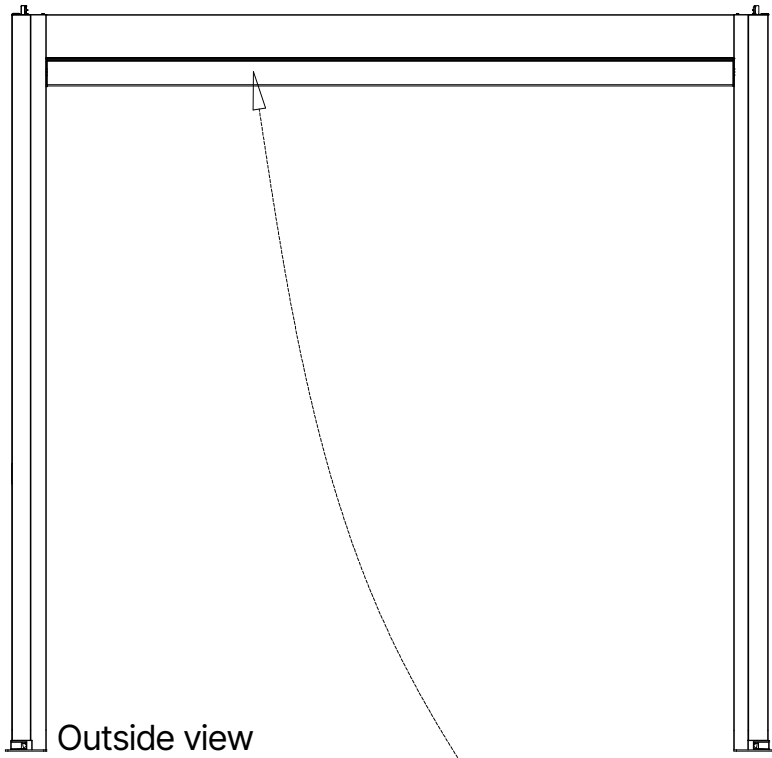




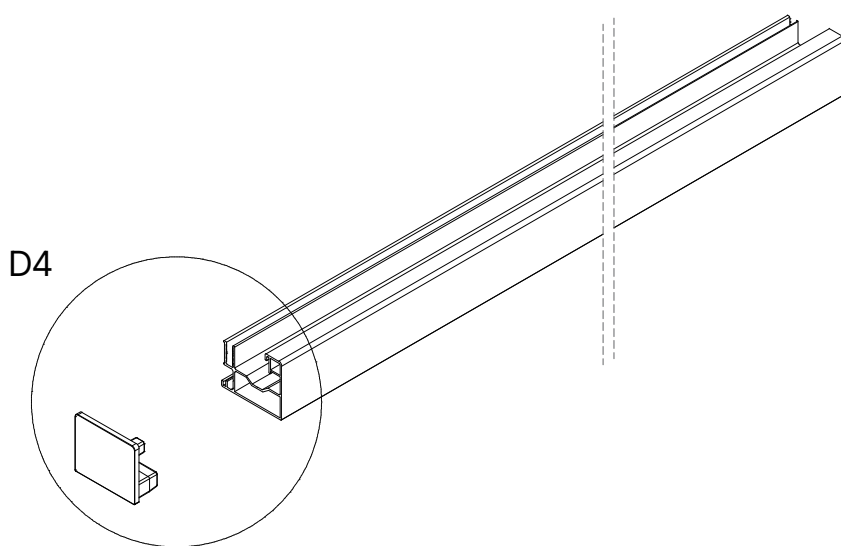
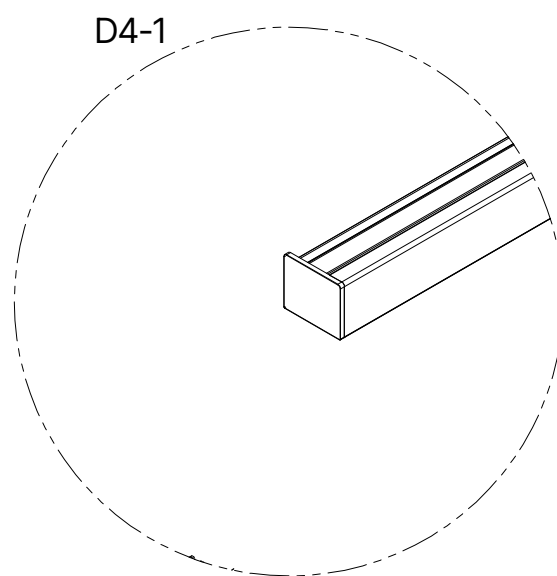
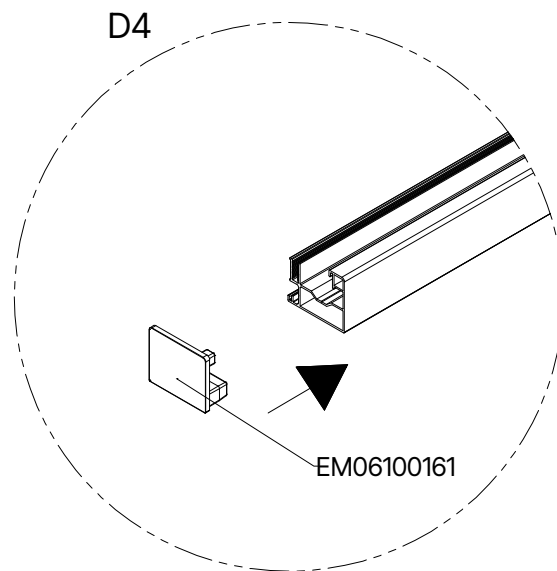
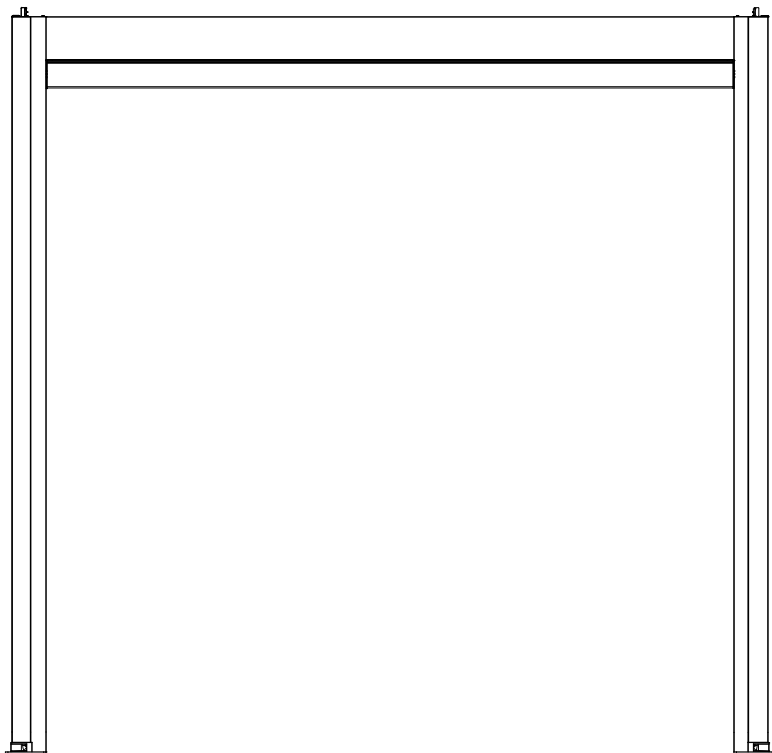
The hanger brackets to be used in the system are taken as a guide from the corner of the post to be mounted and under the groove and screwed to the posts with 3.9x25mm (0.15"x1") screws.



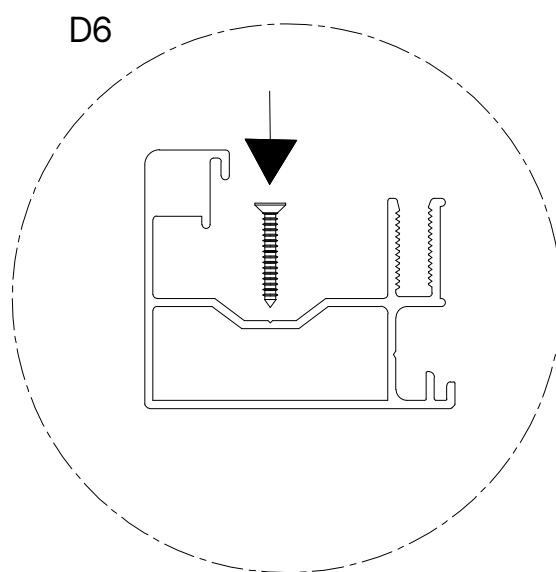
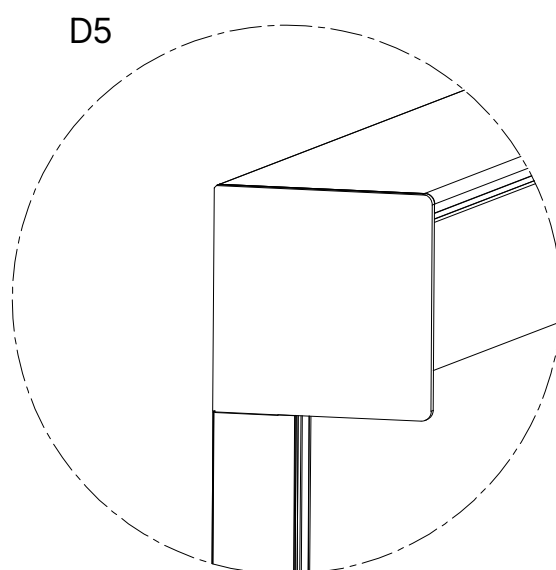
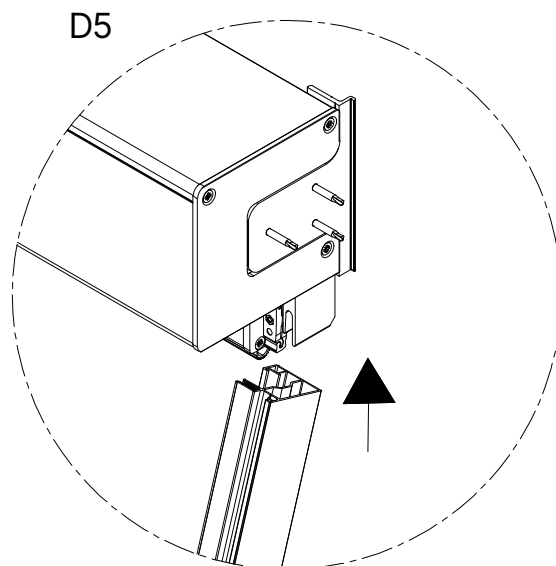
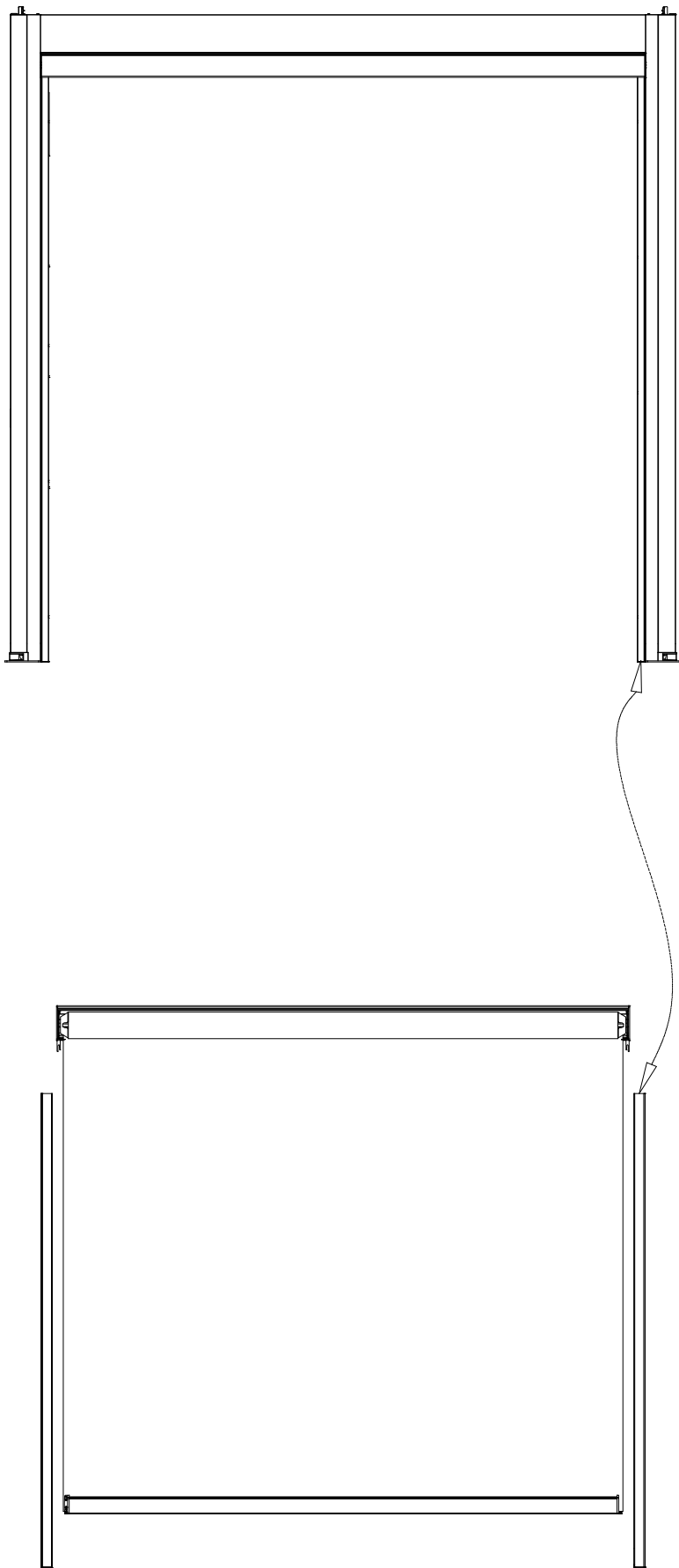
The Manual Screen casing, which comes ready-made from the package, is mounted on the brackets mounted on the pillars, as shown in Detail 2.



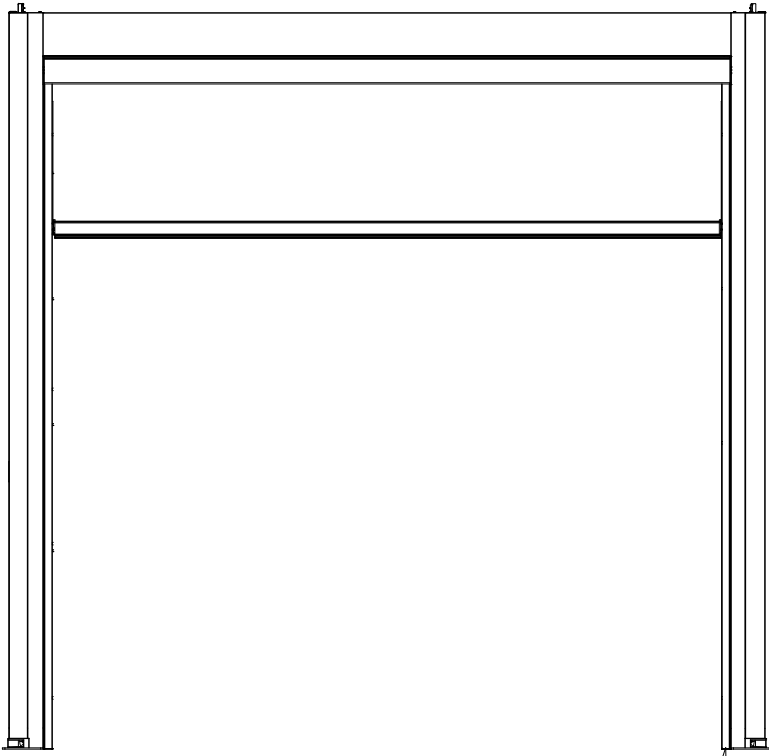
After assembly as shown in Detail 2, the Manual Screen case is fixed with 3.9x38mm (0.15"x1-1/2") screws from the screw holes behind the brackets as shown in Detail 3.



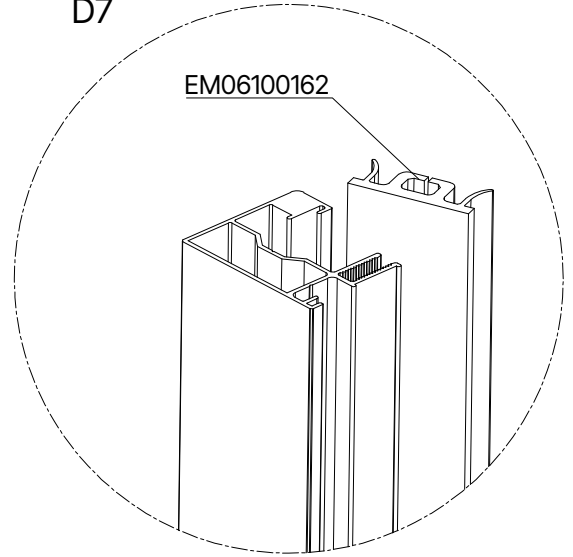
Before installing the pillars, the pillar bottom plastics are installed as shown in Detail 4.



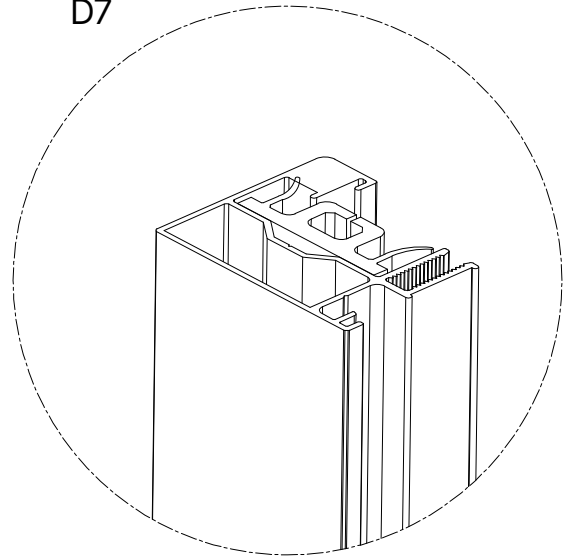
The pillars are placed into their slots at an angle, as shown in Detail 5. Manual Screen pillars are fixed with 3.9x25mm (0.15"x1") screws as shown in Detail 6.



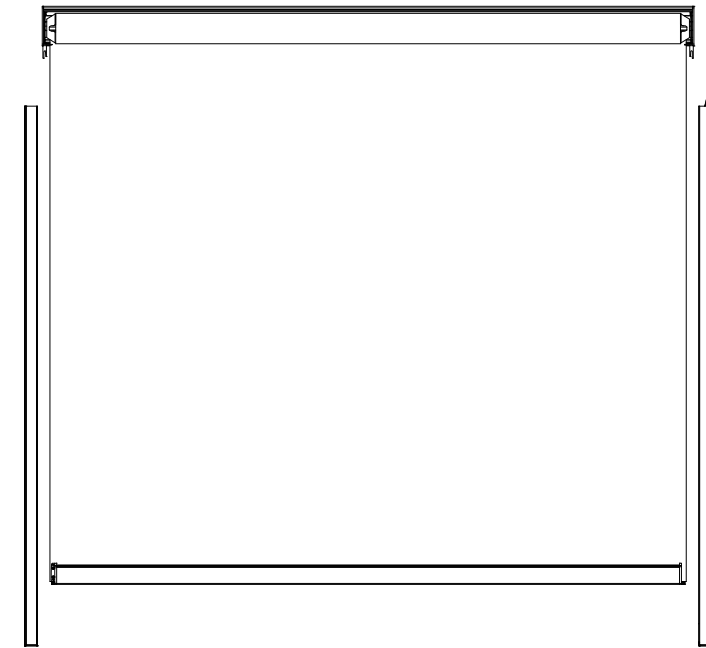
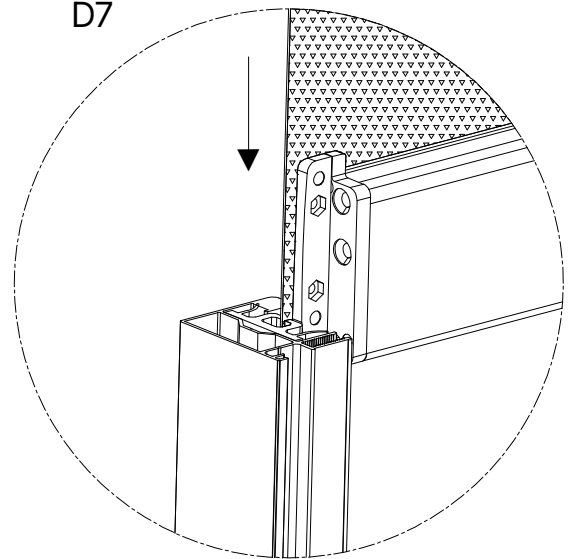
D7



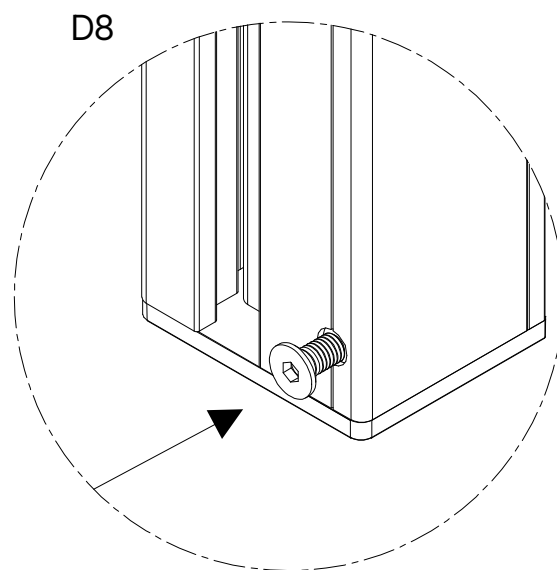
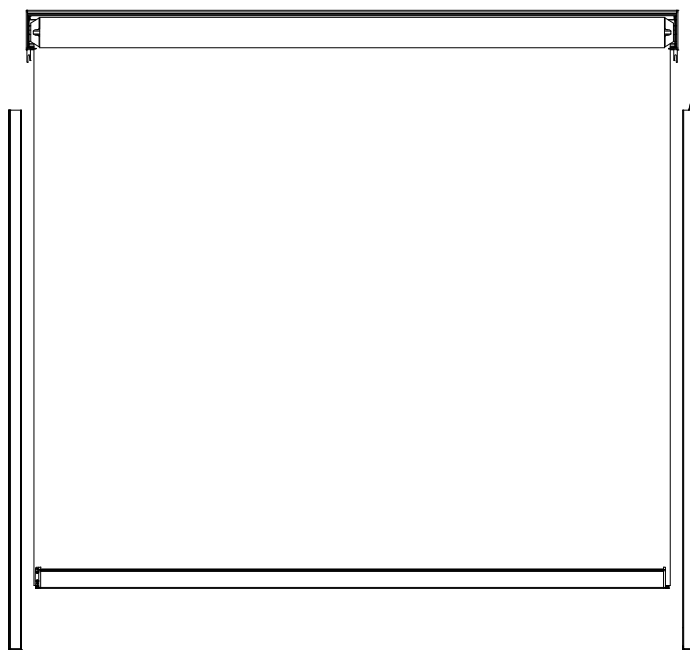
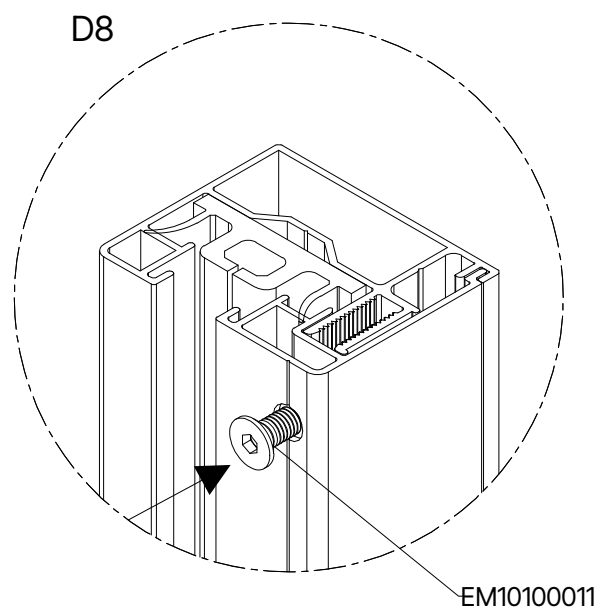
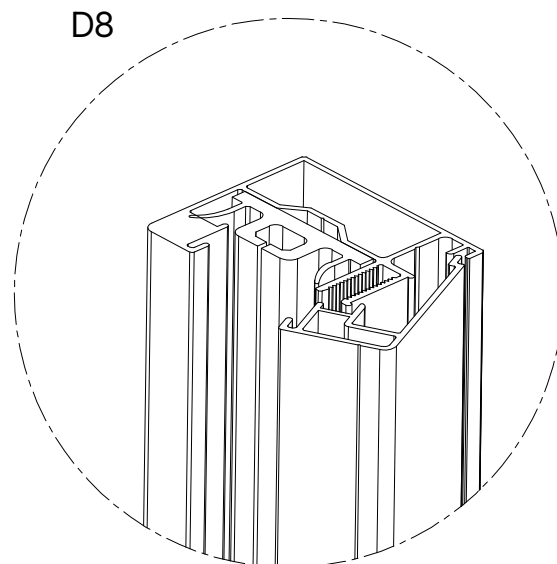
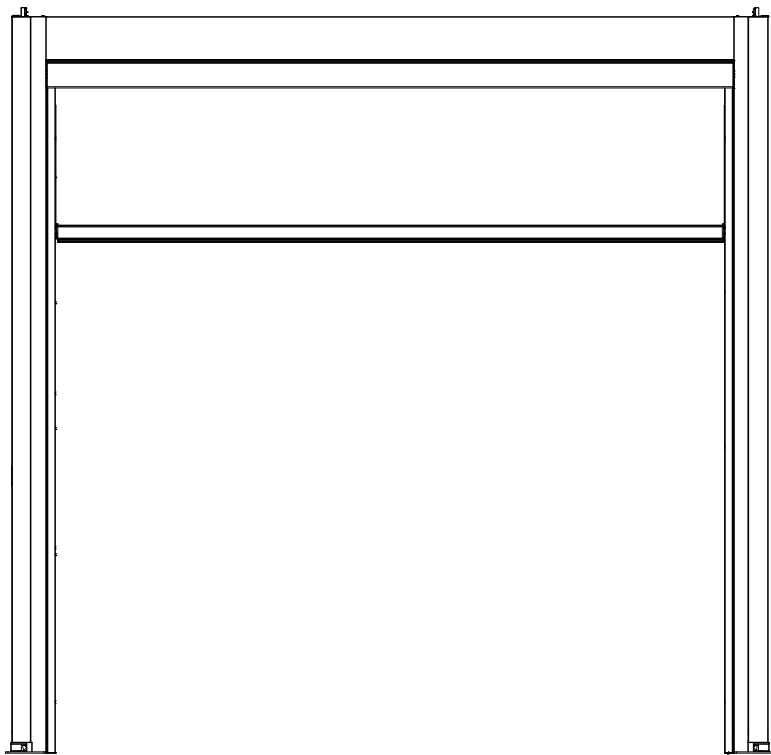
D7



D7



PVC fabric guiding profile is installed into the pillar profile. Fabrics roll down to the middle of the system's height and passes through the pvc guiding channel.



After the pvc is installed, the pillar cover is placed in place as shown in Detail 8. The pillar cover is fixed in place with M5x16mm (~3/16"x5/8") bolts as shown in Detail 9.

